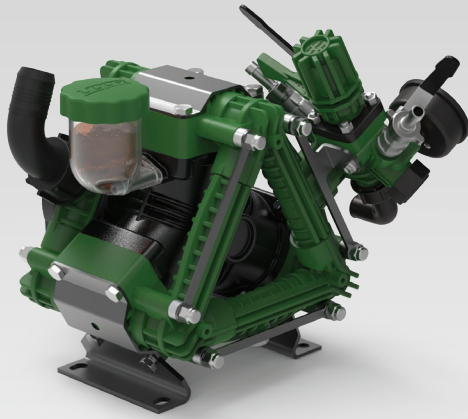


# ZETA-PP 42



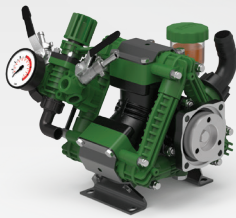
Scan this QR Code for more information



**GREENTECH** Diaphragms Standard. Buna-N Optional.

ZETA-PP 42 low pressure 3-cylinder diaphragm pumps have anodized aluminum bodies with polypropylene heads & manifolds, and stainless steel valves. A control valve with pressure gauge is standard on all models.

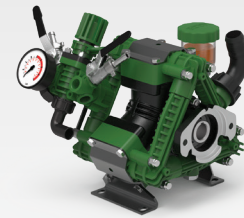
ZETA-PP pumps are excellent for soft wash as well as various horticultural and agricultural spraying applications.



ZETA-PP 42 VA

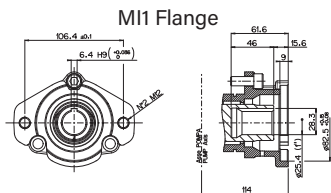
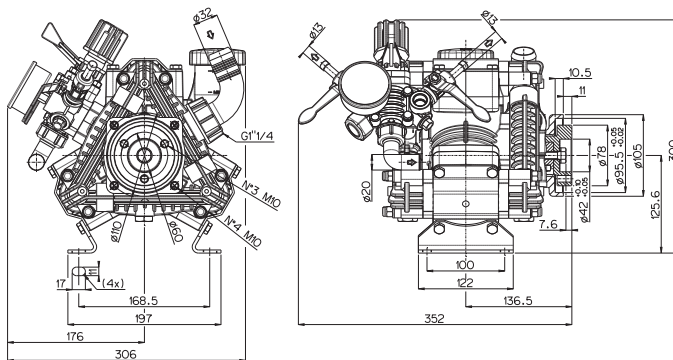


ZETA-PP 42 VAGR3/4



ZETA-PP 42 M11

Model	GPM	l/min	PSI	bar	RPM	Drive Configuration	Weight
ZETA-PP 42 VA	10.5	42	300	20	550	Universal VA Drive Face.	24.3 LBS
ZETA-PP 42 VAGR3/4	10.5	42	300	20	550	Gear Reduction for 3/4" Shaft Gas Engine, 4-6.5 HP	31.3 LBS
ZETA-PP 42 M11	10.5	42	300	20	550	2-Bolt, A-Flange, 1" Hollow Shaft for Hydraulic Motor	24.3 LBS



Dimensional Drawings are Shown in Millimeters. To Convert to Inches, Multiply Dimension x 0.03937

### Specifications ZETA-PP 42

Inlet Port	1-1/4" Hose Barb
Outlet Ports - Valve	(2) 1/2" Hose Barb
Bypass	3/4" Hose Barb
Piston Diameter	55.0mm
Crankshaft Stroke/Code	
Dims. - Pump Only	11"L x 11"W x 12"H
- GR Version	16"L x 11"W x 12"H

**Lubrication:** Requires 20 oz. of Udor Lube 40W Premium Pump Oil. Alternate Oil: 30W non-detergent or 15W-40 non-detergent oil.

### QUICK REFERENCE SERVICE PARTS

Description	Part #
Diaphragm Kit - GREENTECH	6710.02
Diaphragm Bolt & Washer Kit	6640.02
Valve Kit	6930.05

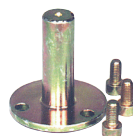
### Recommended Accessories and Drive Options



**4900.14**  
Control Unit  
Regulator w/Gauge



**5027.75**  
Gear Reduction  
3/4" Shaft Gas Engines



**7751.A3**  
1" Solid Keyed  
Shaft and Bolts



**UD1-1/4-16**  
1-1/4" HI-Flow Filter  
16 Mesh Screen



**UD1-1/2-16**  
1-1/2" HI-Flow Filter  
16 Mesh Screen



**15.5823**  
Udor Lube  
Premium Pump Oil