



Scan this QR Code for more information



GREENTECH Diaphragms Standard. Buna-N Optional.

ZETA-P 42 low pressure 3-cylinder diaphragm pumps have anodized aluminum bodies with polyester resin based heads & manifolds, and stainless steel valves. A control valve with pressure gauge is standard on all models.

ZETA-P pumps are excellent for soft wash as well as various horticultural and agricultural spraying applications.



ZETA-PP 42 VA



ZETA-PP 42 VAGR3/4



ZETA-PP 42 MI1

Model	GPM	l/min	PSI	bar	RPM	Drive Configuration	Weight
ZETA-PP 42 VA	10.5	42	300	20	550	Universal VA Drive Face.	24.3 LBS
ZETA-PP 42 VAGR3/4	10.5	42	300	20	550	Gear Reduction for 3/4" Shaft Gas Engine, 4-6.5 HP	31.3 LBS
ZETA-PP 42 MI1	10.5	42	300	20	550	2-Bolt, A-Flange, 1" Hollow Shaft for Hydraulic Motor	24.3 LBS

Specifications

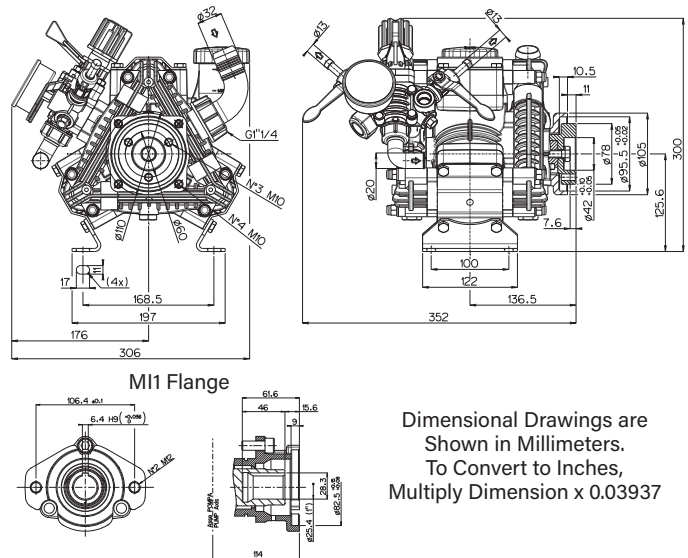
ZETA-PP 42

Inlet Port	1-1/2" Hose Barb
Outlet Ports - Valve	(2) 1/2" Hose Barb
Bypass	3/4" Hose Barb
Piston Diameter	55.0mm
Crankshaft Stroke/Code	
Dims. - Pump Only	11" L x 11" W x 12" H
- GR Version	16" L x 11" W x 12" H

Lubrication: Requires 39 oz. of Udor Lube 40W Premium Pump Oil. Alternate Oil: 30W non-detergent or 15W-40 non-detergent oil.

QUICK REFERENCE SERVICE PARTS

Description	Part #
Diaphragm Kit - GREENTECH	
Diaphragm Bolt & Washer Kit	
Valve Kit	
Regulator Repair Kit	
Complete Repair Kit	



Dimensional Drawings are Shown in Millimeters. To Convert to Inches, Multiply Dimension x 0.03937

Recommended Accessories and Drive Options



6010.95
Control Unit
Regulator w/Gauge



5027.75
Gear Reduction
3/4" Shaft Gas Engines



7751.A3
1" Solid Keyed
Shaft and Bolts



UD1-1/4-16
1-1/4" HI-Flow Filter
16 Mesh Screen



UD1-1/2-16
1-1/2" HI-Flow Filter
16 Mesh Screen



15.5823
Udor Lube
Premium Pump Oil