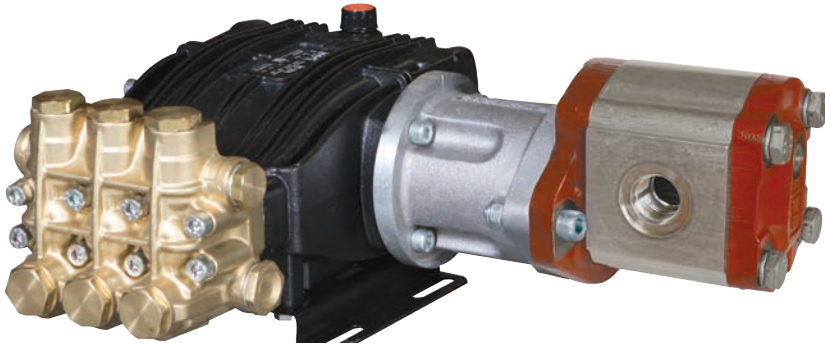


Hydraulic Drive Assemblies

Pump, Hydraulic Motor, Mounting Rails
1750 RPM



- Heavy Duty Brass Manifold with External and Internal Bracing
- Heavy Duty Bronze or High Strength Aluminum Alloy Connecting Rods.
- Large Diameter Brass Valve Caps with Increased Thread Depth
- Reinforcing Ring on Inlet and Discharge Ports
- Deeper Back Cover for Increased Oil Capacity
- 15.4 oz. Capacity Vented Oil Bath Crank Case
- 1/2" BSP-F Inlet. 3/8" BSP-F Outlet
- Max Fluid Temp, 160°F

BKD Series Hydraulic Drive Assemblies

BKD Series super duty plunger pumps include a range of models with flow rates from 4.0 to 5.0 GPM and pressures up to 4350 PSI.

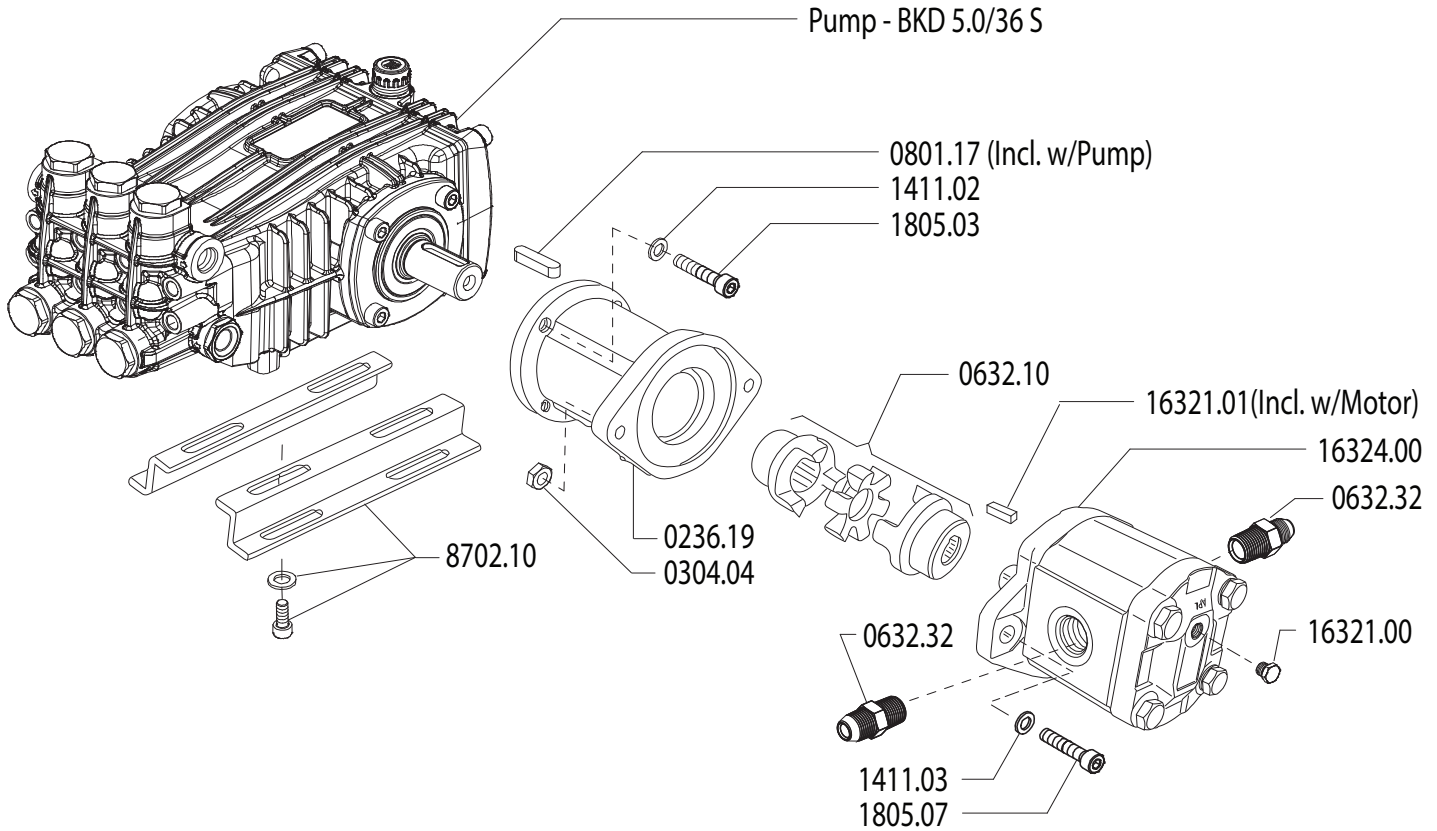
Applications include general pressure cleaning, sewer jetting, vehicle wash equipment and UHP fire fighting applications.

| | Model | GPM | l/min | PSI | bar | Hydraulic Requirements | Weight | |
|----------|----------------|--|-------|------|-----|------------------------|--------|--------|
| 1750 RPM | BKD 4.0/40 SH | 4.0 | 15 | 4000 | 270 | 12.0 GPM @ 2000 PSI | 39 lbs | |
| | BKD 5.0/36 SH | 5.0 | 19 | 3500 | 240 | 12.0 GPM @ 2000 PSI | 39 lbs | |
| 1750 RPM | BKD 4.0/40 SHK | BK Series Hydraulic Drive Plunger Pump with hydraulic gear motor, mounting rails, unloader, 1" hose barb inlet, thermal relief valve, safety pop-off valve and 14" x 20" base with rubber bumpers. | | | | | | 70 lbs |
| | BKD 5.0/36 SHK | | | | | | | 70 lbs |



MAX FLOW
 MAX PRESSURE
 RATED PUMP SPEED
 HYDRAULIC REQUIREMENT
 LUBRICATION

5.0 GPM / 19 L/MIN
 3500 PSI / 240 BAR
 1750 RPM
 12.0 GPM / 2000 PSI
 15.4 OZ UDOR LUBE



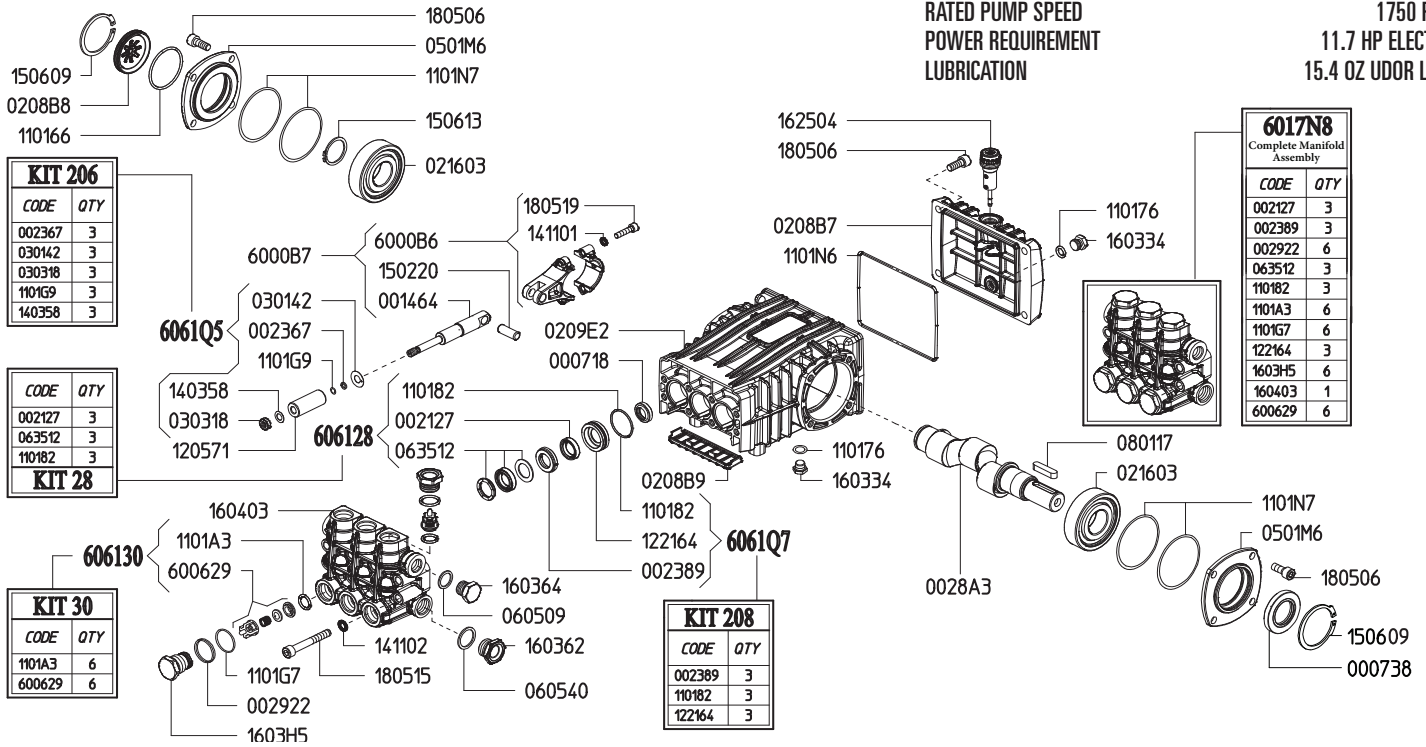
Revised 1-21-2025

| Part # | Description | Qty |
|---------|-------------------------|-----|
| 0236.19 | ADAPTER HYDRAULIC MOTOR | 1 |
| 0304.04 | NUT - M10 | 2 |
| 0632.10 | COUPLER 24MMX3/4 | 1 |
| 0632.32 | HYDRAULIC FITTING | 2 |
| 1411.02 | WASHER - D8 | 4 |
| 1411.03 | WASHER - D10 | 2 |
| 1805.03 | ALLEN BOLT M8 1.25x30 | 4 |

| Part # | Description | Qty |
|----------|---|-----|
| 1805.07 | ALLEN BOLT M10 1.5x40 | 2 |
| 8702.10 | RAIL KIT WITH BOLTS/WASHERS | 1 |
| 16321.00 | CASE DRAIN PLUG - #4 ORB | 1 |
| 16321.01 | KEY - 5/32" X 6/32" X 1/2" | 1 |
| 16322.01 | HYDRAULIC MOTOR REPAIR KIT | - |
| 16324.00 | HYDRAULIC MOTOR - B/C | 1 |
| BKD5036S | PUMP - BKD 5.0/36 S, 5.0 GPM @ 3650 PSI | 1 |

MAX FLOW
MAX PRESSURE
RATED PUMP SPEED
POWER REQUIREMENT
LUBRICATION

4.8 GPM / 18.2 L/MIN
3650 PSI / 25 BAR
1750 RPM
11.7 HP ELECTRIC
15.4 OZ UDOR LUBE



Revised 1-21-2025

| Part # | Description | Qty | Part # | Description | Qty |
|---------|---|-----|---------|--|-----|
| 0007:18 | OIL SEAL D15X24X5 | 3 | 1205.71 | CERAMIC PLUNGER D18 "B/BK" | 3 |
| 0007.38 | OIL SEAL D30 | 1 | 1221.64 | PRESSURE RING D18 "B/BK" ^{D E} | 3 |
| 0014.64 | PLUNGER GUIDE "B/BK" | 3 | 1403.58 | WASHER D8 ^C | 3 |
| 0021.27 | WATER SEAL LP D18 ^{B E} | 3 | 1411.01 | SERATED WASHER D6 | 6 |
| 0023.67 | RING D5.2X8X1.3 ^C | 3 | 1411.02 | SERATED WASHER D8 | 8 |
| 0023.89 | UPPER RING D18 "B/BK" ^{D E} | 3 | 1502.20 | PIN D10X27 | 3 |
| 0028.A3 | MALE SHAFT "B/BK" D24 | 1 | 1506.09 | SNAP RING D52 | 2 |
| 0029.22 | RING "CK" D15.2 ^E | 6 | 1506.13 | SNAP RING D30 | 1 |
| 0208.B7 | BACK COVER "B/BK" | 1 | 1603.34 | PLUG G1/4 | 2 |
| 0208.B8 | OIL SIGHT GLASS | 1 | 1603.62 | PLUG G1/2 | 1 |
| 0208.B9 | COVER "B/BK" | 1 | 1603.64 | PLUG G3/8 | 1 |
| 0209.E2 | CRANKCASE "B-X/BK-X" | 1 | 1603.H5 | VALVE PLUG "BK" ^E | 6 |
| 0216.03 | BEARING D30 | 2 | 1604.03 | HEAD "BK-X" ^E | 1 |
| 0301.42 | SLINGER RING ^C | 3 | 1625.04 | OIL PLUG G3/8 | 1 |
| 0303.18 | NUT M8XH5 ^C | 3 | 1805.06 | ALLEN BOLT M8X20 | 12 |
| 0501.M6 | BEARING FLANGE "B/BK" | 2 | 1805.15 | ALLEN BOLT M8X60 | 8 |
| 0605.09 | GASKET D17X23X1.5 | 1 | 1805.19 | ALLEN BOLT M6X25 | 6 |
| 0605.40 | GASKET D21.5X27X1.5 | 1 | 6000.B6 | ROD ASSEMBLY "B/BK" | 3 |
| 0635.12 | HIGH PRESSURE SEAL KIT D18 ^{B E} | 3 | 6006.29 | VALVE ASSEMBLY WITHOUT O-RING ^{A E} | 6 |
| 0801.17 | KEY A8X7X35 | 1 | 6017.N8 | COMPLETE MANIFOLD ASSEMBLY | 1 |
| 1101.66 | O-RING - OIL SIGHT GLASS | 1 | 6061.28 | KIT 28 - WATER SEAL KIT | 1 |
| 1101.76 | O-RING - PLUG | 2 | 6061.30 | KIT 30 - VALVE KIT "BK" | 1 |
| 1101.82 | O-RING - PRESSURE RING ^{B D E} | 3 | 6061.Q5 | KIT 206 - PLUNGER KIT D15/18 "B/BK" | 1 |
| 1101.A3 | O-RING - VALVE ^{A E} | 6 | 6061.Q7 | KIT 208 - BRASS RING KIT D18 "B/BK" | 1 |
| 1101.G7 | O-RING - VALVE PLUG ^E | 6 | | | |
| 1101.G9 | O-RING - PLUNGER ROD ^C | 3 | | | |
| 1101.N6 | O-RING - REAR COVER | 1 | | | |
| 1101.N7 | O-RING - BEARING FLANGE | 4 | | | |

^A Parts in 6061.30 (Kit 30).

^B Parts in 6061.28 (Kit 28).

^C Parts in 6061.Q5 (Kit 206).

^D Parts in 6061.Q7 (Kit 208).

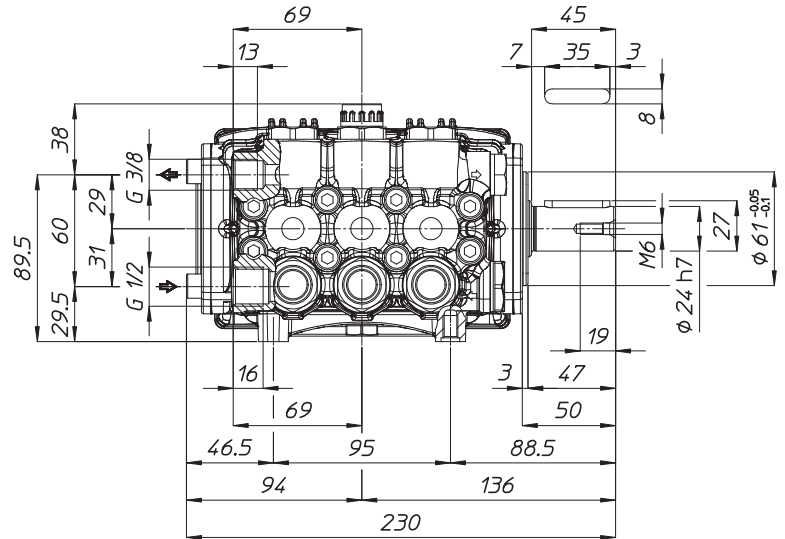
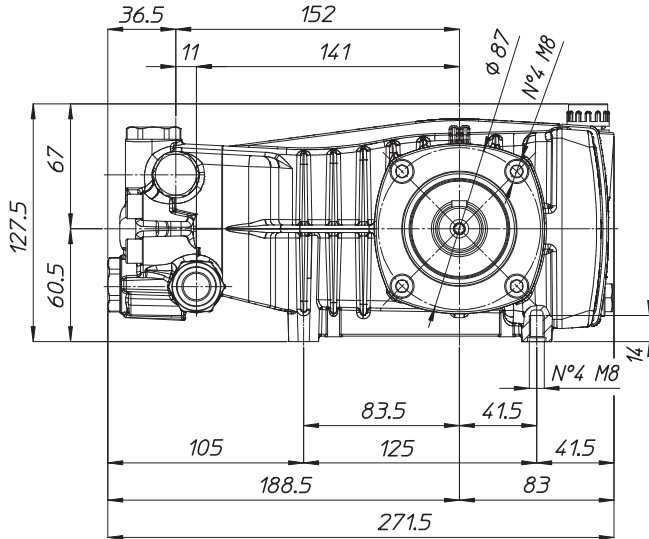
^E Parts in 6017.N8 (Complete Manifold Assembly).

WEIGHT
LUBRICATION

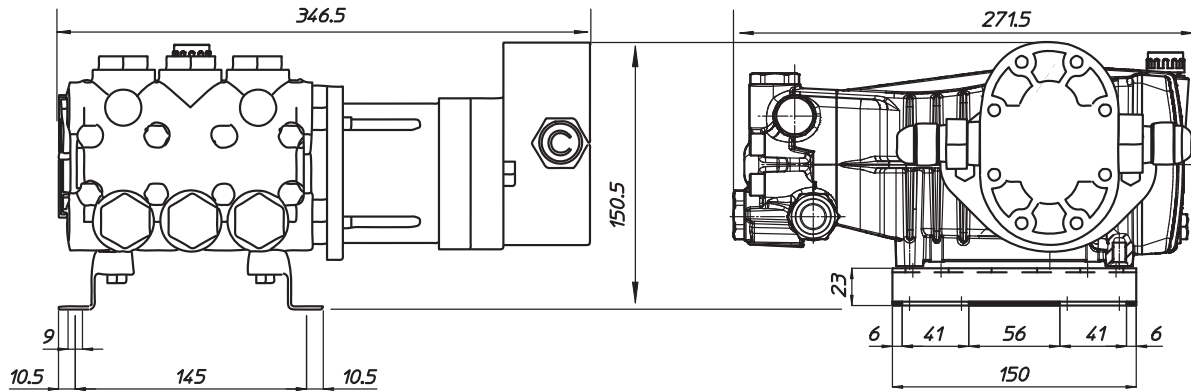
20 LBS
15.4 OZ UDOR LUBE

*Dimensional Drawings are
Shown in Millimeters.
To Convert to Inches,
Multiply Dimension x 0.03937*

BK SERIES PUMPS - 24MM SOLID SHAFT



BK SERIES HYDRAULIC DRIVE PUMP ASSEMBLY



TORQUE SPECS

| Ref. | Description | Ft./lb. | Nm | Loctite® |
|------|----------------------|---------|-----|----------|
| 1 | Head Bolts | 19 | 25 | - |
| 2 | Valve Caps | 75 | 100 | 243 |
| 3 | Inlet Cap | 75 | 100 | 243 |
| 4 | Outlet Cap | 60 | 80 | 243 |
| 5 | Bearing Flange Bolts | 19 | 25 | - |
| 6 | Rear Cover Bolts | 19 | 25 | - |
| 7 | Connecting Rod Bolts | 9 | 11 | 243 |
| 8 | Plunger Bolts | 11 | 15 | 270 |
| 9 | Valve Cover Bolts | - | - | - |
| 10 | Oil Drain Plug | 19 | 25 | - |

