

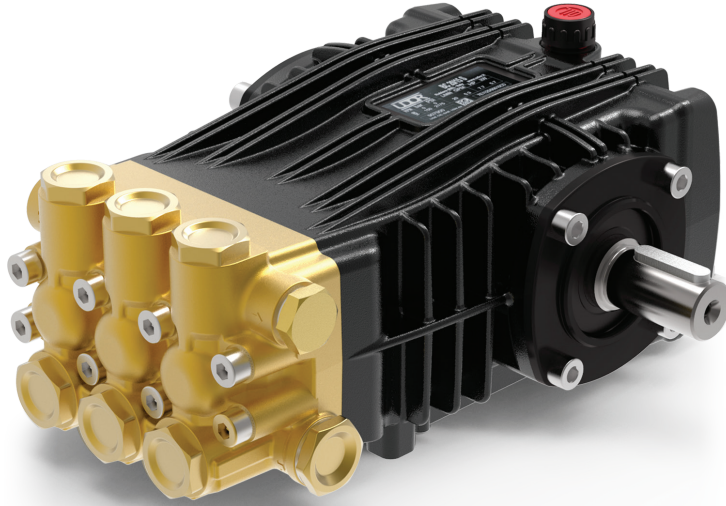


# Tool Coolant Pump

# TCB SERIES

## Solid Shaft Models

24mm Keyed Solid Shaft  
1750 RPM



- Brass Manifolds
- Industrial Quality Tapered Roller Bearings
- PTFE Packings
- Solid Ceramic Plungers
- Stainless Steel Check Valves
- Heated Treated Crank Shafts
- Stainless Steel Piston Guides
- Replaceable PTFE Body Guides

### TCB Series 24mm Keyed Solid Shaft Plunger Pumps

TCB Series Tool Coolant plunger pumps are designed to withstand the wear and tear of the tool coolant industry. Pumps feature PTFE seals for increased durability in harsh conditions

TCB Series pumps are also available with a 1-1/8" hollow shaft with 182/184 electric motor mounting flange and set screw.

	Model	Flow		Pressure		Plunger Dia.	Crankshaft		Power	Seal Kit	Valve Kit	Wt.
		GPM	l/min	PSI	bar		Stroke	Code				
1750 RPM	<b>TCB 5.0/25 S</b>	5.0	19	2500	170	18mm	14.5mm	I	7.5 EBHP	6061.C4	6061.02	20 lbs

NOTE: All pump models available with left-hand drive option. Add 'L' to model number when ordering (ex. TC 44/15 SL)



6180 140th Avenue NW  
Ramsey, MN 55303

Ph: 651-785-0666  
Fax: 800-732-2670

www.udorusa.com  
www.boominator.com  
info@udorusa.com

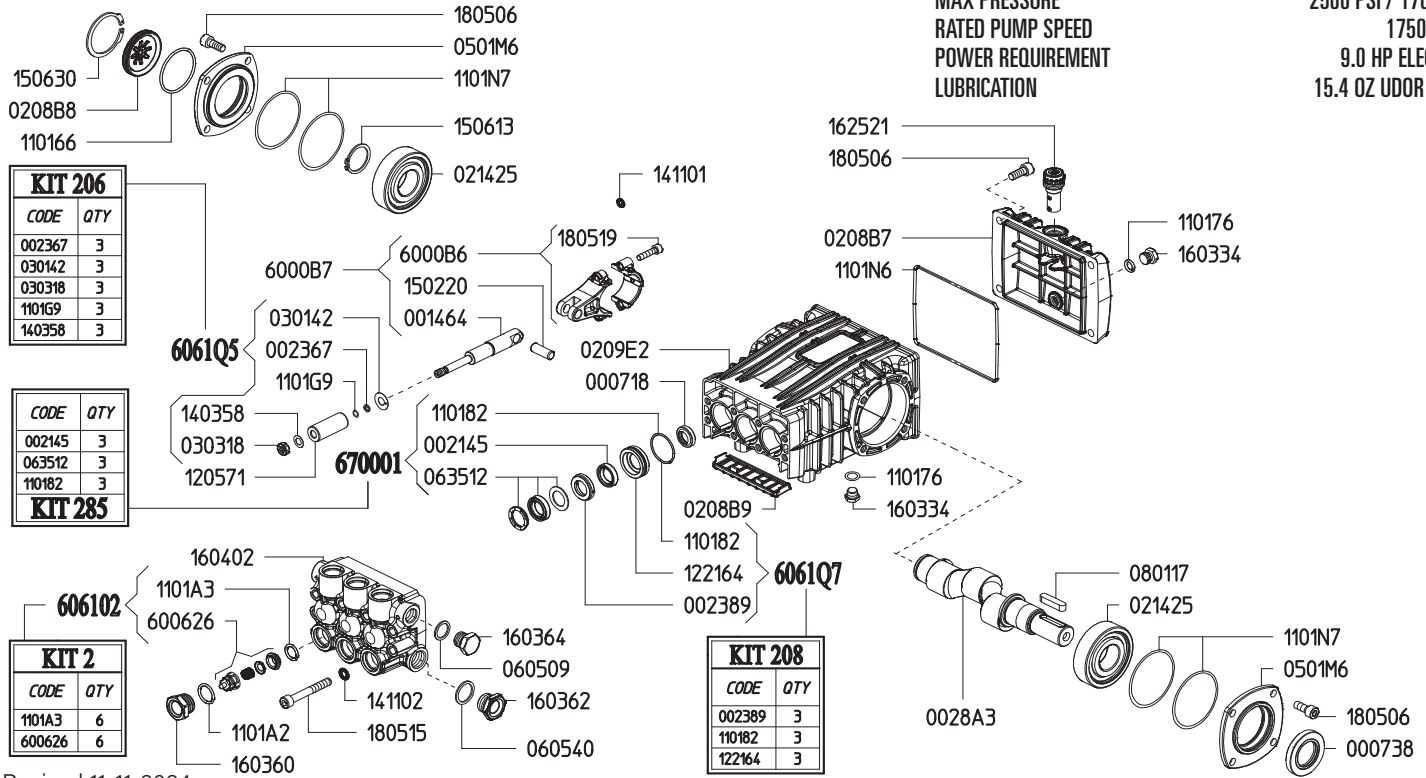


Scan this QR Code  
for More Information

**TCB-S  
2025A**

MAX FLOW  
MAX PRESSURE  
RATED PUMP SPEED  
POWER REQUIREMENT  
LUBRICATION

5.0 GPM / 19 L/MIN  
2500 PSI / 170 BAR  
1750 RPM  
9.0 HP ELECTRIC  
15.4 OZ UDOR LUBE



Revised 11-11-2024

Part #	Description	Qty
0007.18	OIL SEAL D15X24X5	3
0007.38	OIL SEAL D30	1
0014.64	PLUNGER GUIDE "B/BK"	3
0021.45	WATER SEAL LP PTFE D18 <sup>B</sup>	3
0023.67	RING D5.2X8X1.3 <sup>C</sup>	3
0023.89	UPPER RING D18 "B/BK" <sup>D</sup>	3
0028.A3	MALE SHAFT "B/BK" D24	1
0208.B7	BACK COVER "B/BK"	1
0208.B8	COVER "B/BK"	1
0208.B9	COVER "B/BK"	1
0209.E2	CRANKCASE "B-X/BK-X"	1
0214.25	BALL BEARING D30	2
0301.42	DISC <sup>C</sup>	3
0303.18	NUT M8XH5 <sup>C</sup>	3
0501.M6	BEARING FLANGE "B/BK"	2
0605.09	GASKET D17X23X1.5	1
0605.40	GASKET D21.5X27X1.5	1
0635.12	HIGH PRESSURE SEAL KIT D18 <sup>B</sup>	3
0801.17	KEY A8X7X35 UNI6604	1
1101.66	O-RING D44.12 (RIF.3175)	3
1101.76	O-RING D9.13 (RIF.109)	1
1101.82	O-RING D31.47X1.78 (RIF 2125) <sup>B D</sup>	2
1101.A2	O-RING D17.86 (RIF.123)	6
1101.A3	O-RING D13.9X2.62 (RIF 3056) <sup>A</sup>	6
1101.G9	O-RING D4.48 (RIF 2018) <sup>C</sup>	3
1101.N6	O-RING D126.67 (RIF 3500)	1
1101.N7	O-RING D68	4

Part #	Description	Qty
1205.71	CERAMIC PLUNGER D18 "B/BK"	3
1221.64	PRESSURE RING D18 "B/BK" <sup>D</sup>	3
1403.58	WASHER D8 <sup>C</sup>	3
1411.01	SCHNOOR WASHER D6	6
1411.02	SCHNOOR WASHER D8	8
1502.20	PIN D10X27	3
1506.13	SNAP RING D30	1
1506.30	SNAP RING D52	1
1603.34	PLUG G1/4	2
1603.60	VALVE PLUG D15/18/20	6
1603.62	PLUG G1/2	1
1603.64	PLUG G3/8	1
1604.02	HEAD "B-X"	1
1625.21	OIL PLUG G3/8	1
1805.06	ALLEN BOLT M8X20	8
1805.15	ALLEN BOLT M8X60	8
1805.19	ALLEN BOLT M8X25	6
6000.B6	ROD ASSY "B/BK"	3
6006.26	VALVE ASSY WITHOUT O-RING <sup>A</sup>	6
6017.N5	COMPLETE MANIFOLD ASSEMBLY	1
6061.02	KIT 2 - VALVE KIT "PK/M/B"	1
6700.01	WATER SEAL KIT - PTFE	1
6061.Q5	KIT 206 - PLUNGER KIT D15/18 "B/BK"	1
6061.Q7	KIT 208 - BRASS RING KIT D18 "B/BK"	1

<sup>A</sup> Parts in 6061.02 (Kit 2).

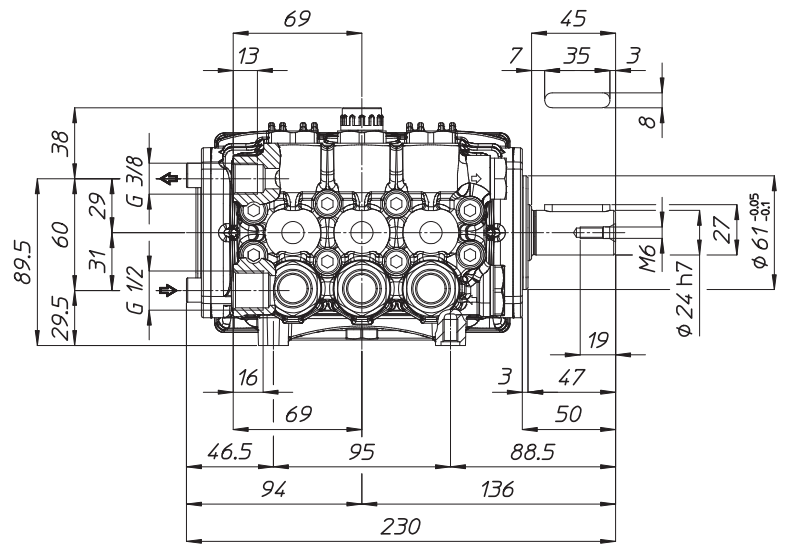
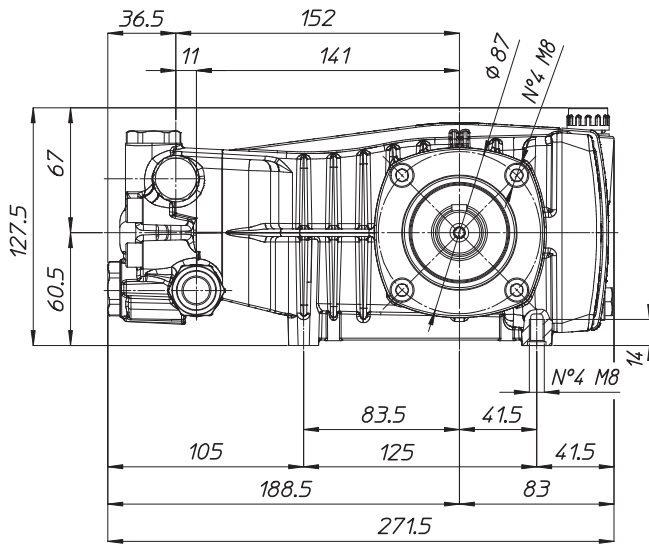
<sup>B</sup> Parts in 6700.01 (Kit 285).

<sup>C</sup> Parts in 6061.Q5 (Kit 206).

<sup>D</sup> Parts in 6061.Q7 (Kit 208).

*Dimensional Drawings are  
Shown in Millimeters.  
To Convert to Inches,  
Multiply Dimension x 0.03937*

## TCB SERIES PUMPS - 24MM SOLID SHAFT



## TORQUE SPECS

Ref.	Description	Ft./lb.	Nm	Loctite®
1	Head Bolts	19	25	-
2	Valve Caps	75	100	243
3	Inlet Cap	75	100	243
4	Outlet Cap	60	80	243
5	Bearing Flange Bolts	19	25	-
6	Rear Cover Bolts	19	25	-
7	Connecting Rod Bolts	9	11	243
8	Plunger Bolts	11	15	270
9	Valve Cover Bolts	-	-	-
10	Oil Drain Plug	19	25	-

