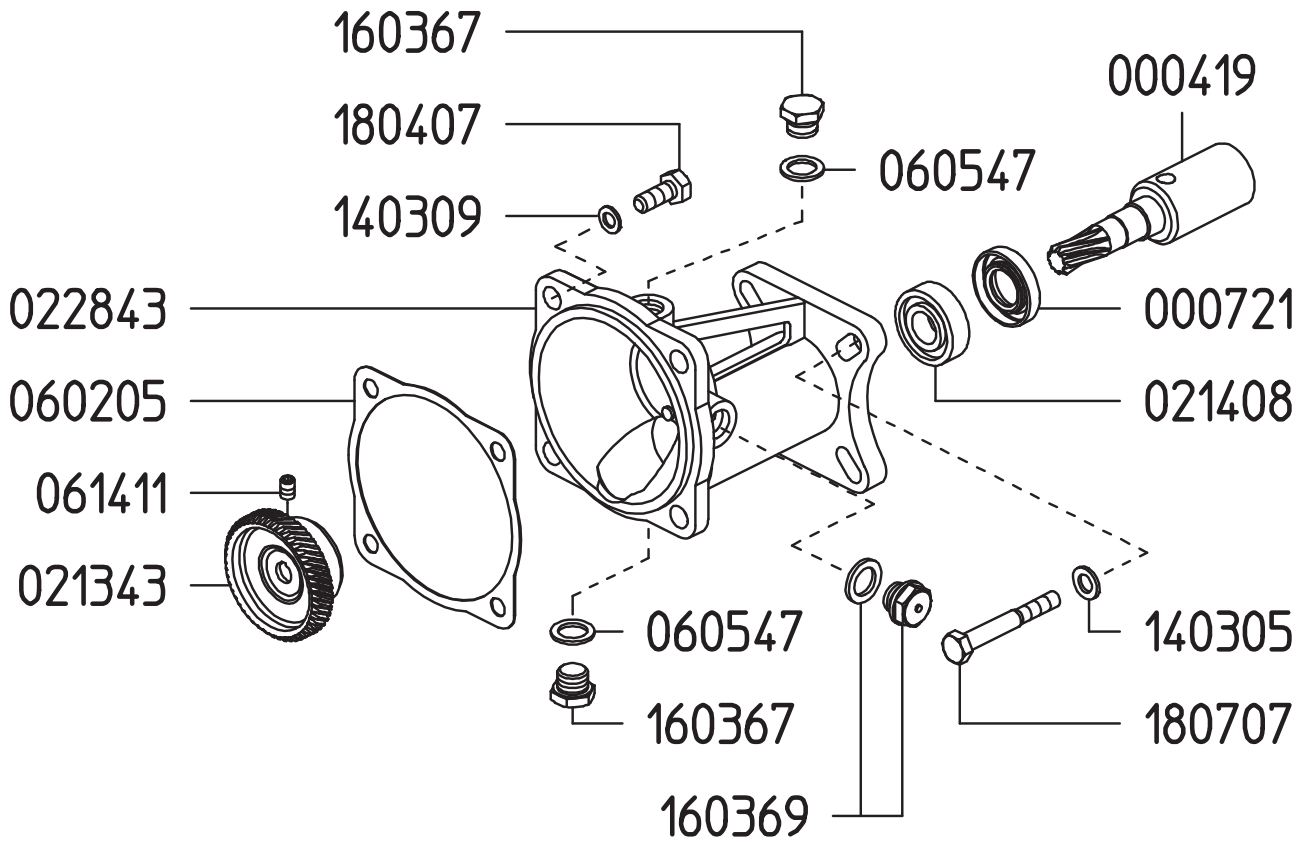


**GAS ENGINE GEAR REDUCTION FOR
IOTA 25 & KAPPA 25 DIAPHRAGM PUMPS
on GAS ENGINES with 3/4" SHAFTS
REQUIRES 3 OZ. 90W GEAR LUBE**



Revised 8-14-2024

Part #	Description	Qty	Part #	Description	Qty
0004.19	GEAR SHAFT "S124-3/4"/S151-3/4"	1	0614.11	SET SCREW M6X6 UNI5927	1
0007.21	OIL SEAL D17	1	1403.05	WASHER D8.4	4
0213.43	RED.GEAR WHEEL Z=40 "S151-GR"	1	1403.09	WASHER D10.5	4
0214.08	BALL BEARING D15	1	1603.67	PLUG G1/4	2
0228.43	COUPLER "S151"	1	1603.69	OIL PLUG G1/4 + GASKET	1
0602.05	GASKET	1	1804.07	HEX BOLT M10X25	4
0605.47	GASKET D13	2	1807.07	HEX BOLT 5/16X1" UNF	4