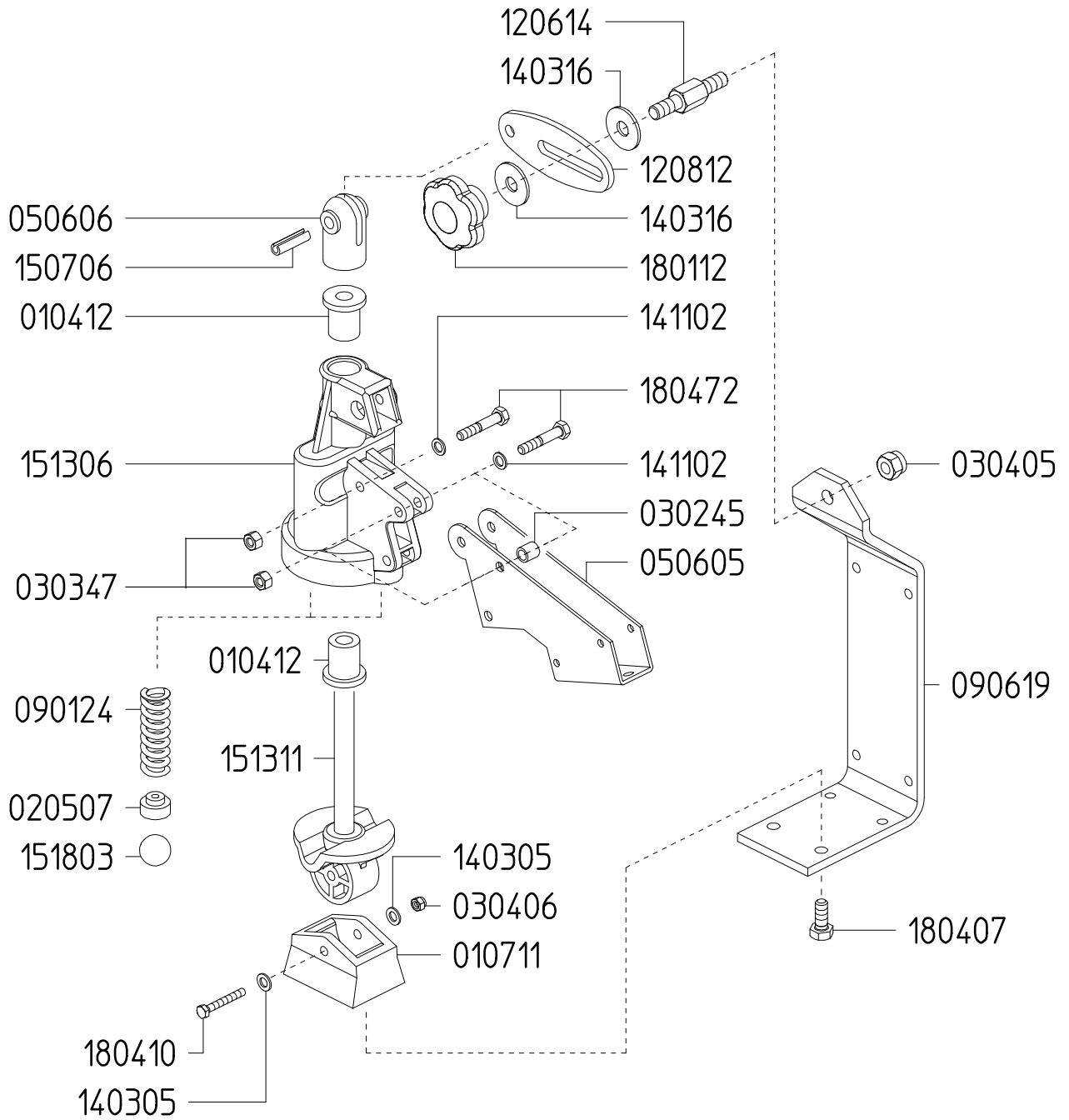


6035.02 BOOM HINGE

WITH MOUNTING BRACKETS



Revised 3-24-2023

Part #	Description	Qty
0104.12	ROD BUSHING	2
0107.11	HINGE MOUNT	1
0205.07	SPRING/BALL RETAINER	2
0302.31	SPACER	2
0302.45	SPACER	1
0303.47	NUT	2
0304.05	SELF-LOCKING NUT	1
0304.06	CASTLE NUT	1
0506.05	BOOM ARM	1
0506.06	YOKE	1
0901.24	R.V. SPRING	1
0906.19	BRACKET	1
1206.14	STUD	1

Part #	Description	Qty
1208.12	PLATE	1
1403.05	WASHER	2
1403.16	WASHER	2
1411.02	WASHER	2
1507.06	PIN	1
1513.06	HINGE BODY	1
1513.11	HINGE BASE	1
1518.03	1" HINGE BALL	1
1801.12	HINGE KNOB	1
1804.07	BOLT	4
1804.10	BOLT	1
1804.72	BOLT	2