

3-Cylinder, Low-Pressure Diaphragm Pumps



ZETA 140 low pressure 3-cylinder diaphragm pumps have anodized aluminum bodies with plasticized aluminum heads, stainless steel valves and glass-filled nylon manifolds.

ZETA 140 pumps are excellent for various horticultural and agricultural spraying applications.

Pumps are available with a 1-3/8" Male PTO shaft or 1-3/8" Male PTO x 25mm solid, keyed thru-shaft..

Model	GPM	l/min	PSI	bar	RPM	Drive Configuration	Weight
ZETA 140 VA	36.0	135	300	20	550	Universal VA Drive Face.	45 LBS
ZETA 140 1C	36.0	135	300	20	550	1-3/8" 6-Spline Male PTO Shaft	45 LBS
ZETA 140 TS1C	36.0	135	300	20	550	1-3/8" 6-Spline Male PTO x 25mm Solid Keyed Thru-Shaft	45 LBS

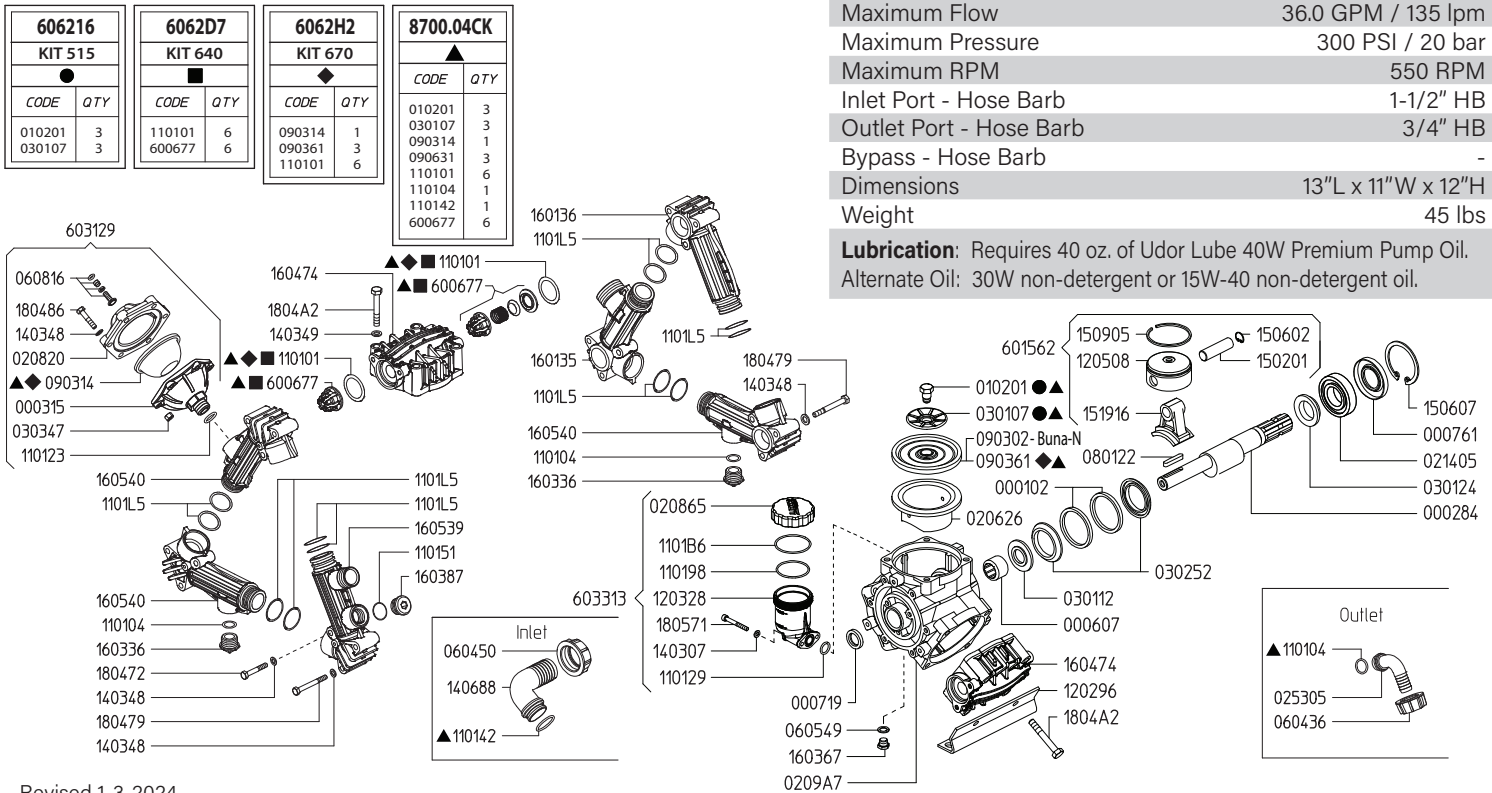
Specifications	ZETA 140	Description	Part #
Inlet Port	1-1/2" Hose Barb	Diaphragm Kit (GREENTECH)	6062.H2
Outlet Ports - Valve	3/4" Hose Barb	Diaphragm Bolt & Washer Kit	6062.16
Piston Diameter	60.0mm	Valve Kit	6062.D7
Crankshaft Stroke/Code	18.0mm / A	Complete Repair Kit	8700.04CK
Dims. - Pump Only	12.5"L x 13.5"W x 12.5"H		

Lubrication: Requires 40 oz. of Udor Lube 40W Premium Pump Oil.
Alternate Oil: 30W non-detergent or 15W-40 non-detergent oil.



Maximum Flow	36.0 GPM / 135 lpm
Maximum Pressure	300 PSI / 20 bar
Maximum RPM	550 RPM
Inlet Port - Hose Barb	1-1/2" HB
Outlet Port - Hose Barb	3/4" HB
Bypass - Hose Barb	-
Dimensions	13"L x 11"W x 12"H
Weight	45 lbs

Lubrication: Requires 40 oz. of Udor Lube 40W Premium Pump Oil.
Alternate Oil: 30W non-detergent or 15W-40 non-detergent oil.



Revised 1-3-2024

Part #	Description	Qty	Part #	Description	Qty
0001.02	RETAINER RING	2	1205.08	ALUMINIUM PISTON D75	3
0002.84	CRANKSHAFT - TS1C	1	1403.07	WASHER M6	2
0003.15	ACCUMULATOR BASE	1	1403.48	WASHER M8	24
0006.07	BEARING D25	1	1403.49	WASHER M10	8
0007.19	OIL SEAL D25	1	1406.88	HOSE BARB - SUCTION 1-1/2"	1
0007.61	OIL SEAL D35	1	1502.01	PIN D18X64	3
0102.01	DIAPHRAGM BOLT ●▲	3	1506.02	SNAP RING D18	3
0206.26	SLEEVE D75	3	1506.07	SNAP RING D72	1
0208.20	ACCUMULATOR COVER	1	1509.05	PISTON RING D75	3
0208.65	OIL RESERVIOR CAP	1	1519.16	CONNECTING ROD	3
0209.A7	CRANKCASE	1	1601.35	SUCTION MANIFOLD G1"1/2 M	1
0214.05	BALL BEARING D35	1	1601.36	INLET-OUTLET MANIFOLD	1
0253.05	HOSE BARB D20	1	1603.36	PLUG G3/4	2
0301.07	DIAPHRAGM WASHER ●▲	3	1603.67	PLUG G1/4	1
0301.12	BEARING DISC - D25	1	1603.87	PLUG G3/4	1
0301.24	BEARING DISC - D35	1	1604.74	HEAD	3
0302.52	ROD SPACER	2	1605.39	MANIFOLD G1" M - G3/4 F	1
0303.47	HEX NUT M8X8	6	1605.40	INLET-OUTLET MANIFOLD G3/4 F	3
0604.36	BARB NUT G1"	1	1804.72	HEX BOLT M8X50	6
0604.50	BARB NUT G1-1/2"	1	1804.79	HEX BOLT M8X70	12
0605.49	GASKET D13	1	1804.86	HEX BOLT M8X40	6
0608.16	AIR VALVE ASSEMBLY	1	1804.A2	HEX BOLT M10X75	12
0801.22	KEY A8X7X45 UNI6604-69	1	1805.71	ALLEN BOLT M6X50	2
0903.02	PISTON DIAPHRAGM - BUNA-N 116MM	3	6006.77	VALVE ASSEMBLY W/O O-RING ■▲	6
0903.14	ACCUMULATOR DIAPHRAGM ◆▲	1	6015.62	ROD ASSEMBLY - D75 PISTON	3
0903.61	PISTON DIAPHRAGM - GREENTECH 116MM ◆▲	3	6031.29	ACCUMULATOR ASSEMBLY	1
1101.01	O-RING - VALVE ■◆▲	6	6033.13	OIL RESERVIOR ASSEMBLY	1
1101.04	O-RING - DISCHARGE BARB	3	6062.16	DIAPHRAGM BOLT & WASHER (KIT 515)	1
1101.23	O-RING - ACCUMULATOR	1	6062.D7	IN/OUTLET VALVE KIT (KIT 640)	1
1101.29	O-RING - OIL RESERVIOR	1	6062.H2	DIAPHRAGM KIT - GREENTECH (KIT 670)	1
1101.42	O-RING - INLET BARB	1	8700.04CK	COMPLETE REPAIR KIT	1
1101.51	O-RING - PLUG	1			
1101.98	O-RING - OIL RESERVIOR	1			
1101.B6	O-RING - OIL RESERVIOR	1			
1101.L5	O-RING - MANIFOLD TUBES	12			
1202.96	RAIL	2			
1203.28	OIL RESERVIOR	1			

- Parts in 6062.16 (Kit 515)
- Parts in 6062.D7 (Kit 640)
- ◆ Parts in 6062.H2 (Kit 670)
- ▲ Parts in 8700.04CK



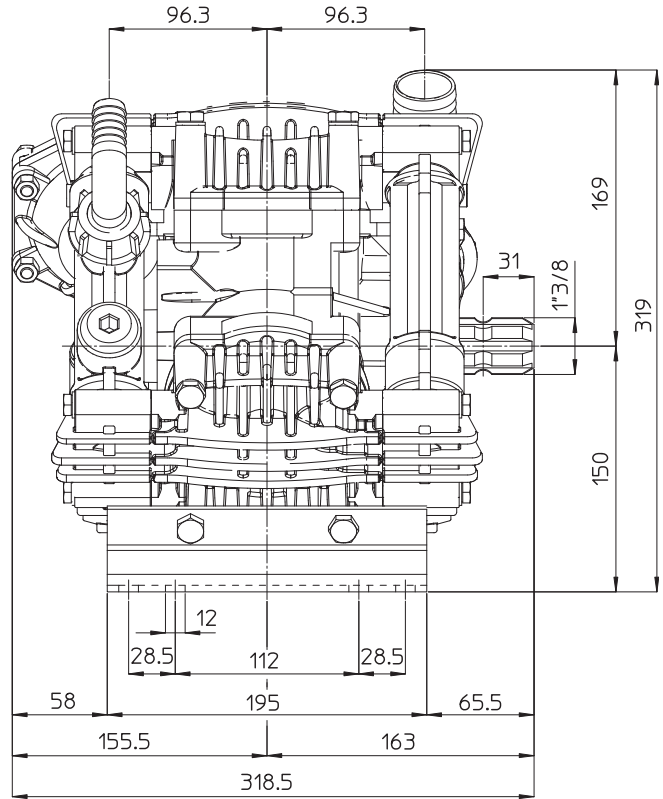
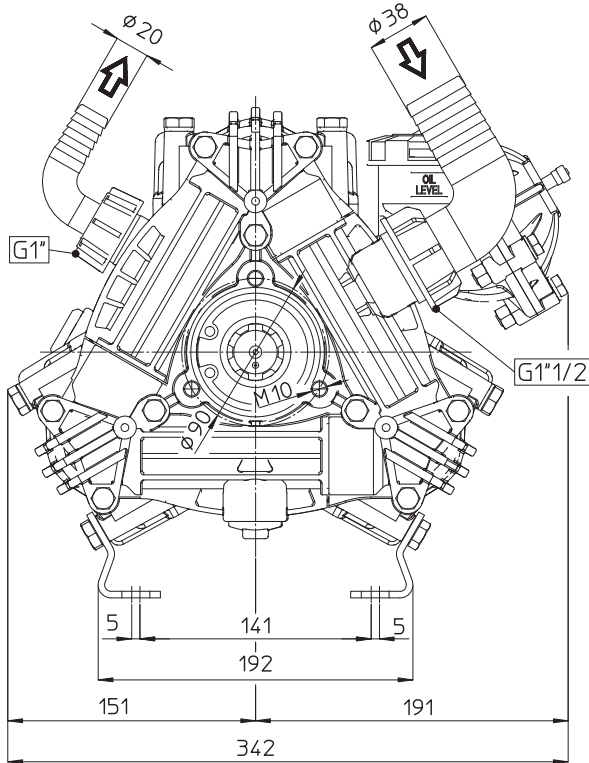
ZETA 120/140 DIMENSIONS

All Dimensions are WITHOUT Control Unit or Regulator

Dimensional Drawings are Shown in Millimeters. To Convert to Inches, Multiply Dimension x 0.03937

Specifications	ZETA 120	ZETA 140
Inlet Port - Hose Barb	1-1/2" HB	1-1/2" HB
Outlet Ports - Hose Barb	3/4" HB	3/4" HB
Dimensions - Pump Only	12.5"L x 13.5"W x 12.5"H	
Diaphragm Material	GREENTECH (Std) Buna-N (Opt)	

Lubrication: Requires 39 oz. of Udor Lube 40W Premium Pump Oil. Alternate Oil: 30W non-detergent or 15W-40 non-detergent oil.



TORQUE SPECS

Ref.	Description	Ft./lb.	Nm
1	Diaphragm Bolts (Use Loctite 243)	22	30
2	Head Bolts	30	40
3	Pulsation Dampener Bolts	18	25
4	Oil Cup Bolts	6	8
5	Manifold Bolts (Plastic)	14	20

