

- Anodized Aluminum Crank Case
- Nickel-Plated Manifold
- Stainless Steel Check Valves
- Heavy Duty Bronze Connecting Rods
- Heavy Duty Roller Bearings
- 2-1/2" BSP-F Inlet. 1-1/4" BSP-F Outlet
- Max Fluid Temp, 160°F

### HXR MI Series Plunger Pumps

HXR MI Series industrial duty plunger pumps are rated at 32.9 to 104.4 GPM and pressures up to 4350 PSI.

Gear reduction models are available in 1500, 1800 or 2200 RPM models with a 50mm solid, keyed shaft.

Applications include sewer jetting, hydro-excavation, fire fighting, mining and street cleaning.

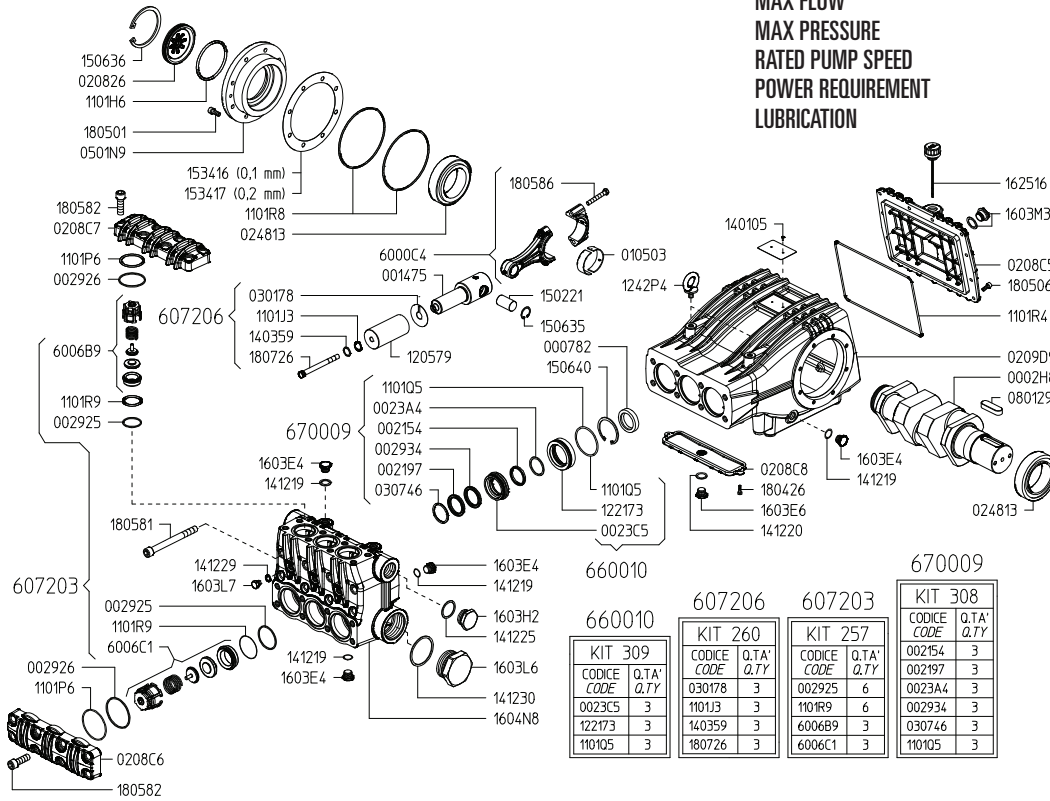
	Model	Flow		Pressure		Plunger Dia.	Crankshaft		Power	Seal Kit	Valve Kit	Wt.
		GPM	l/min	PSI	bar		Stroke	Code				
1800 RPM	HXR1-D 135/300 R MI	32.9	124.5	4350	300	32mm	70.0mm	35	95.8 EBHP	6700.09	6072.03	367.5 lbs
	HXR1-D 160/240 R MI	42.9	162.5	3480	240	36mm	70.0mm	35	100.0 EBHP	6700.10	6072.03	367.5 lbs
	HXR1-D 210/200 R MI	54.4	206	2900	200	40mm	70.0mm	35	105.7 EBHP	6700.07	6072.13	367.5 lbs
2.238:1 Gear Ratio	HXR1-D 270/160 R MI	68.7	260	2320	160	45mm	70.0mm	35	106.8 EBHP	6700.08	6072.13	367.5 lbs
	HXR1-D 330/130 R MI	86.1	326.0	1885	130	50mm	70.0mm	35	108.7 EBHP	6072.14	6072.13	367.5 lbs
	HXR1-D 400/100 R MI	104.4	395.1	1450	100	55mm	70.0mm	35	101.3 EBHP	6072.16	6072.13	367.5 lbs



# HXR1-D 135/300 R MI

MAX FLOW  
MAX PRESSURE  
RATED PUMP SPEED  
POWER REQUIREMENT  
LUBRICATION

32.8 GPM / 128 L/MIN  
4350 PSI / 300 BAR  
1500 RPM  
95.8 HP ELECTRIC  
237 OZ 85W-90 OIL



Revised 2-2-2024

Part #	Description	Qty
0002.H8	PUMP CRANCKSHAFT	1
0007.82	D40 VITON SHAFT SEAL	3
0014.75	PLUNGER GUIDE	3
0021.54	LOW PRESSURE SEAL RING D32 <sup>B</sup>	6
0021.97	HIGH PRESSURE SEAL RING D32 <sup>B</sup>	3
0023.A4	SCRAPER RING D32 <sup>B</sup>	3
0023.C5	UPPER RING D32 <sup>C</sup>	3
0029.25	ANTI EXTRUSION RING <sup>A</sup>	6
0029.26	ANTI EXTRUSION RING	6
0029.34	ANTI EXTRUSION RING <sup>B</sup>	3
0105.03	BUSHING	3
0208.26	OIL LEVEL SIGHT GLASS	1
0208.C5	REAR COVER	1
0208.C6	VALVE COVER	1
0208.C7	VALVE COVER	1
0208.C8	INFERIOR COVER	1
0209.D9	CRANCKCASE	1
0248.13	BEARING	2
0301.78	SEPARATING DISC <sup>D</sup>	3
0307.46	RING D32 <sup>B</sup>	3
0501.N9	CLOSED BEARING FLANGE	1
0801.29	KEY A22X14X70 UNI6604-A	1
1101.H6	OR D47.29X2.62 RIF 3187	1
1101.J3	OR D10.78X2.62 RIF 3043 90SHORE <sup>D</sup>	3
1101.P6	OR D57.15X3.53 RIF 161	6
1101.Q5	OR D75.79X3.53 RIF 4300 <sup>B,C</sup>	3
1101.R4	OR D275.00x4.00 RIF 2750-40	1
1101.R8	OR D158.3x3.53 RIF 4625	2
1101.R9	OR D44.04X3.53 RIF 4175 90SHORE <sup>A</sup>	6
1205.79	PISTON D32	3
1221.73	PRESSURE RING D32 <sup>C</sup>	3
1242.P4	M12 UNI-ISO3266 ZINC PLATED EYEBOLT	2
1403.59	WASHER <sup>D</sup>	3

Part #	Description	Qty
1412.19	BONDED SEAL G1/2"	10
1412.20	BONDED SEAL G3/4"	1
1412.25	BONDED SEAL G1"	1
1412.29	BONDED SEAL G1/4"	3
1412.30	BONDED SEAL G2"	1
1502.21	PIN	3
1506.35	SNAP RING D28 UNI7437	6
1506.36	SNAP RING D55 UNI7437 INOX	1
1506.40	SNAP RING D72 UNI7437	3
1534.16	SHIM 0,1mm	1
1534.17	SHIM 0,2mm	1
1603.E4	INOX PLUG G1/2"	10
1603.E6	INOX PLUG G3/4"	1
1603.H2	INOX PLUG G1"	1
1603.L6	INOX PLUG G2"	1
1603.L7	INOX PLUG G1/4"	3
1603.M3	OIL LEVEL SIGHT GLASS G3/4"	1
1604.N8	PUMP HEAD "HX-HP"	1
1625.16	OIL VENT PLUG G3/4"	1
1804.26	HEX SCREW M6X20 UNI 5739 ZINC PLATED	2
1805.01	SOCKET HEAD SCREW M10X25 UNI5931 ZINC PLATED	8
1805.06	SOCKET HEAD SCREW M8X20 UNI5931 ZINC PLATED	12
1805.81	SOCKET HEAD SCREW M18X180 UNI5931 12.9 GEOMET	8
1805.82	SOCKET HEAD SCREW M18X60 UNI5931 12.9 GEOMET	16
1805.86	HEX SCREW M10X65	6
1807.26	HEX SCREW M12X130 DIN6921 INOX <sup>D</sup>	3
6000.C4	PISTON ROD SUBASSEMBLY	3
6006.B9	VALVE SUBASSEMBLY <sup>A</sup>	3
6006.C1	VALVE SUBASSEMBLY <sup>A</sup>	3
<sup>A</sup> 6072.03	KIT 257	
<sup>B</sup> 6700.09	KIT 308	
<sup>C</sup> 6600.10	KIT 309	
<sup>D</sup> 6072.06	KIT 260	

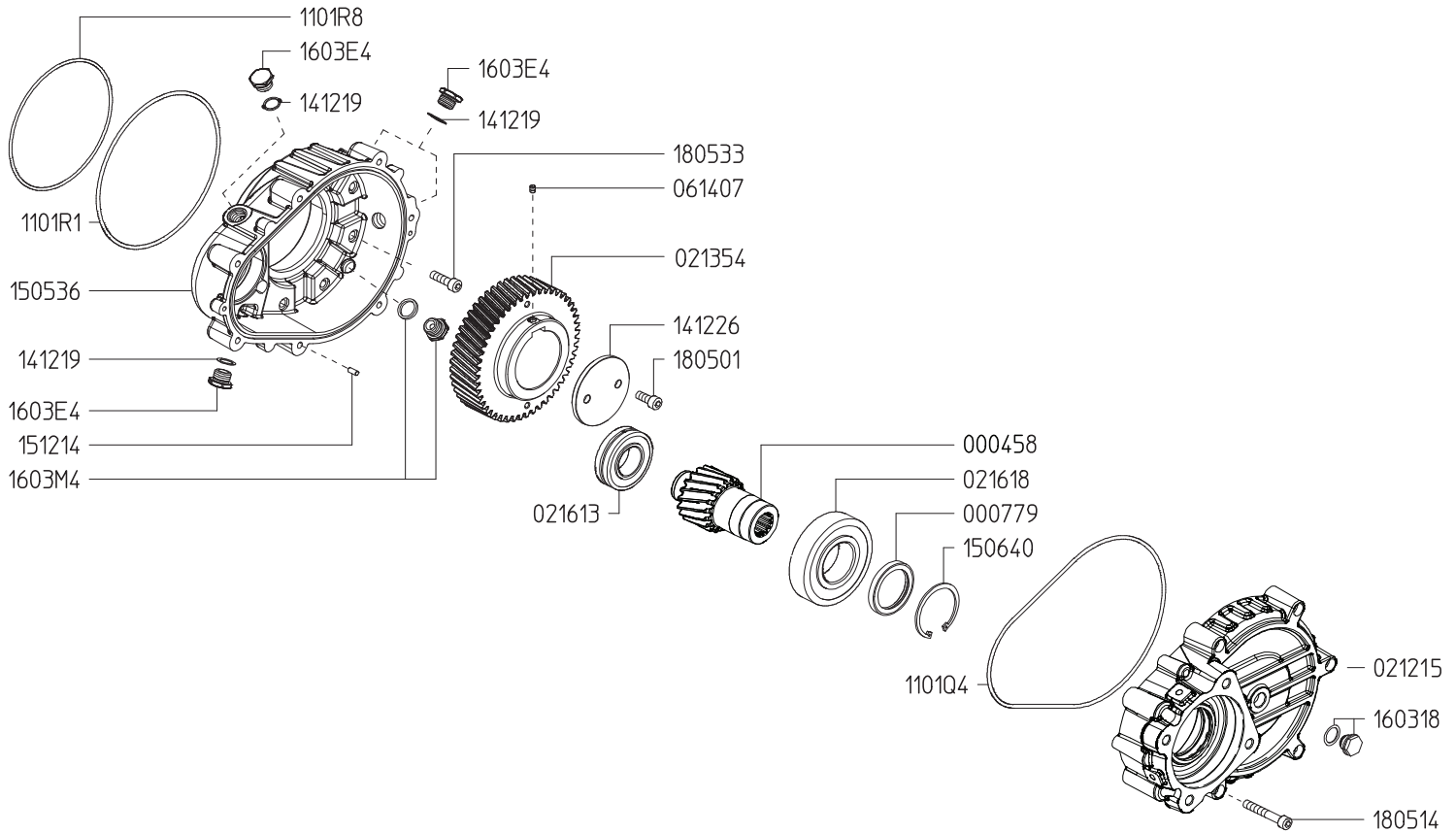
660010			607206			607203			670009		
KIT	CODICE	Q.TA'	KIT	CODICE	Q.TA'	KIT	CODICE	Q.TA'	KIT	CODICE	Q.TA'
309	CODE	Q.TY	260	CODE	Q.TY	257	CODE	Q.TY	308	CODE	Q.TY
	0023C5	3		030178	3		002925	6		002154	3
	122173	3		1101J3	3		1101R9	6		002197	3
	110105	3		140359	3		6006B9	3		0023A4	3
				180726	3		6006C1	3		030746	3
										110105	3

# RH118 MI GEAR REDUCER

2.238:1 PTO GEAR REDUCTION

for HXR1-D \_\_\_ / \_\_\_ R MI PUMPS

REQUIRES 101 OZ. 85W-90 GEAR LUBE



Revised 2-2-2024

Part #	Description	Qty	Part #	Description	Qty
0004.58	PINION "RH 118 MI"	1	1412.19	BONDED SEAL G1/2"	4
0007.79	SHAFT SEAL D55 VITON	1	1505.36	GEARBOX CASE	1
0212.15	GEARBOX COVER - MI	1	1506.40	SNAP RING D72 UNI7437 ZINC PLATED	1
0213.54	GEAR "RH 118"	1	1512.14	CYLINDRICAL PIN D6,0X14 UNI-EN 28734	2
0216.13	BEARING	1	1603.18	OIL LEVEL SIGHT GLASS PLUG G1/2"	1
0216.18	BEARING	1	1603.E4	INOX PLUG G1/2"	4
0614.07	SOCKET SET SCREW M8X10 UNI5929	1	1603.M4	MAGNETIC PLUG G1/2"	1
1101.R1	OR D209,15X3,53 RIF 4825	1	1805.01	SOCKET HEAD SCREW M10X25 UNI5931 ZINC PLATED	2
1101.Q4	OR D266,30X3,53 RIF 41050	1	1805.33	SOCKET HEAD SCREW M10X35 UNI5931 ZINC PLATED	8
1101.R8	OR D158.3x3.53 RIF 4625	1	1805.14	SOCKET HEAD SCREW M10X60 UNI5931 ZINC PLATED	7
1412.26	WASHER	1			

