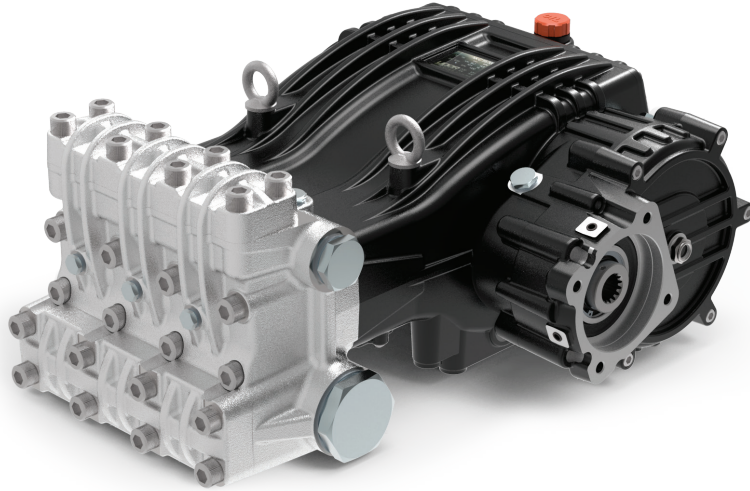




HXR1-C MI SERIES

1.875:1 Gear Reduction Models

50mm Solid Keyed Shaft
1500 RPM



- Anodized Aluminum Crank Case
- Nickel-Plated Manifold
- Stainless Steel Check Valves
- Heavy Duty Bronze Connecting Rods
- Heavy Duty Roller Bearings
- 2-1/2" BSP-F Inlet. 1-1/4" BSP-F Outlet
- Max Fluid Temp, 160°F

HXR MI Series Plunger Pumps

HXR MI Series industrial duty plunger pumps are rated at 32.9 to 104.4 GPM and pressures up to 4350 PSI.

Gear reduction models are available in 1500, 1800 or 2200 RPM models with a 50mm solid, keyed shaft.

Applications include sewer jetting, hydro-excavation, fire fighting, mining and street cleaning.

| | Model | Flow | | Pressure | | Plunger Dia. | Crankshaft | | Power | Seal Kit | Valve Kit | Wt. |
|--------------------|---------------------|-------|-------|----------|-----|--------------|------------|------|------------|----------|-----------|-----------|
| | | GPM | l/min | PSI | bar | | Stroke | Code | | | | |
| 1500 RPM | HXR1-C 135/300 R MI | 32.9 | 124.5 | 4350 | 300 | 32mm | 70.0mm | 35 | 95.8 EBHP | 6700.09 | 6072.03 | 367.5 lbs |
| | HXR1-C 160/240 R MI | 42.9 | 162.5 | 3480 | 240 | 36mm | 70.0mm | 35 | 100.0 EBHP | 6700.10 | 6072.03 | 367.5 lbs |
| | HXR1-C 210/200 R MI | 54.4 | 206 | 2900 | 200 | 40mm | 70.0mm | 35 | 105.7 EBHP | 6700.07 | 6072.13 | 367.5 lbs |
| 1.875:1 Gear Ratio | HXR1-C 270/160 R MI | 68.7 | 260 | 2320 | 160 | 45mm | 70.0mm | 35 | 106.8 EBHP | 6700.08 | 6072.13 | 367.5 lbs |
| | HXR1-C 330/130 R MI | 86.1 | 326.0 | 1885 | 130 | 50mm | 70.0mm | 35 | 108.7 EBHP | 6072.14 | 6072.13 | 367.5 lbs |
| | HXR1-C 400/100 R MI | 104.4 | 395.1 | 1450 | 100 | 55mm | 70.0mm | 35 | 101.3 EBHP | 6072.16 | 6072.13 | 367.5 lbs |



6180 140th Avenue NW
Ramsey, MN 55303

Ph: 651-785-0666
Fax: 800-732-2670

www.udorusa.com
www.boominator.com
info@udorusa.com



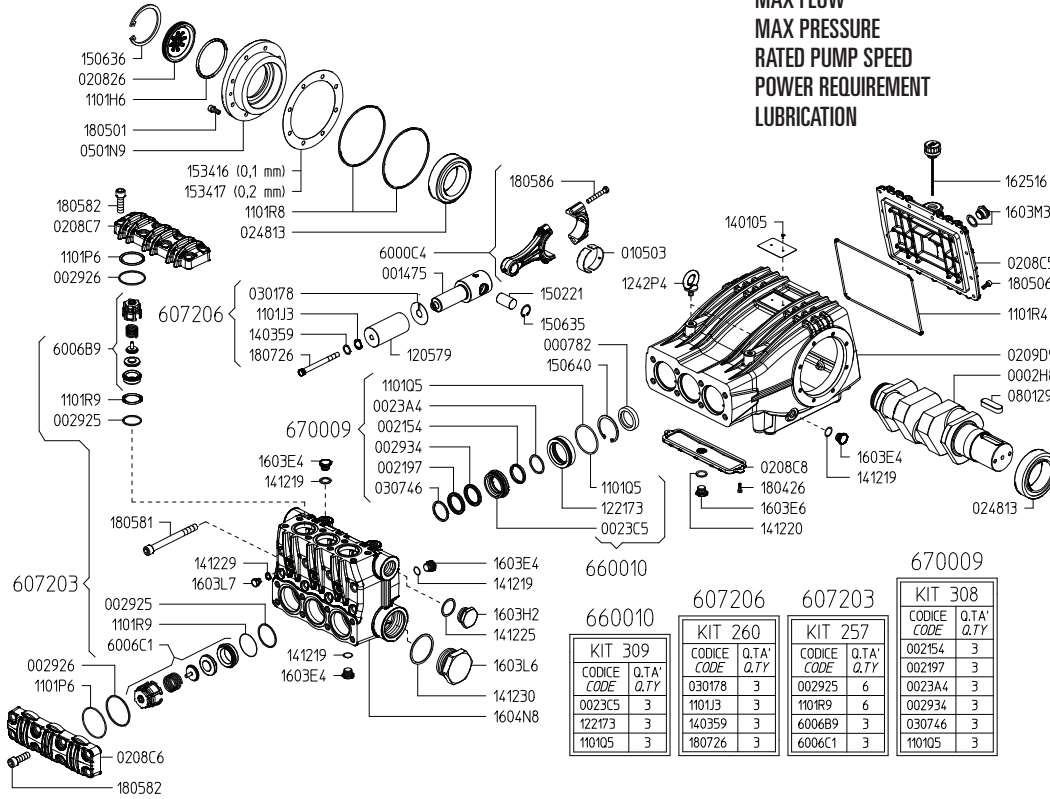
Scan this QR Code
for More Information

**HXR1-C
2024A**

HXR1-C 135/300 R MI

MAX FLOW
MAX PRESSURE
RATED PUMP SPEED
POWER REQUIREMENT
LUBRICATION

32.8 GPM / 128 L/MIN
4350 PSI / 300 BAR
1500 RPM
95.8 HP ELECTRIC
237 OZ 85W-90 OIL



| KIT 309 | | KIT 260 | | KIT 257 | | KIT 308 | |
|-------------|------------|-------------|------------|-------------|------------|-------------|------------|
| CODICE CODE | Q.TA' Q.TY | CODICE CODE | Q.TA' Q.TY | CODICE CODE | Q.TA' Q.TY | CODICE CODE | Q.TA' Q.TY |
| 0023C5 | 3 | 030178 | 3 | 002925 | 6 | 002154 | 3 |
| 122173 | 3 | 1101J3 | 3 | 1101R9 | 6 | 002934 | 3 |
| 110105 | 3 | 140359 | 3 | 6006B9 | 3 | 030746 | 3 |
| | | 180726 | 3 | 6006C1 | 3 | 110105 | 3 |

Revised 2-2-2024

| Part # | Description | Qty |
|---------|--|-----|
| 0002.H8 | PUMP CRANCKSHAFT | 1 |
| 0007.82 | D40 VITON SHAFT SEAL | 3 |
| 0014.75 | PLUNGER GUIDE | 3 |
| 0021.54 | LOW PRESSURE SEAL RING D32 ^B | 6 |
| 0021.97 | HIGH PRESSURE SEAL RING D32 ^B | 3 |
| 0023.A4 | SCRAPER RING D32 ^B | 3 |
| 0023.C5 | UPPER RING D32 ^C | 3 |
| 0029.25 | ANTI EXTRUSION RING ^A | 6 |
| 0029.26 | ANTI EXTRUSION RING | 6 |
| 0029.34 | ANTI EXTRUSION RING ^B | 3 |
| 0105.03 | BUSHING | 3 |
| 0208.26 | OIL LEVEL SIGHT GLASS | 1 |
| 0208.C5 | REAR COVER | 1 |
| 0208.C6 | VALVE COVER | 1 |
| 0208.C7 | VALVE COVER | 1 |
| 0208.C8 | INFERIOR COVER | 1 |
| 0209.D9 | CRANCKCASE | 1 |
| 0248.13 | BEARING | 2 |
| 0301.78 | SEPARATING DISC ^D | 3 |
| 0307.46 | RING D32 ^B | 3 |
| 0501.N9 | CLOSED BEARING FLANGE | 1 |
| 0801.29 | KEY A22X14X70 UNI6604-A | 1 |
| 1101.H6 | OR D47.29X2.62 RIF 3187 | 1 |
| 1101.J3 | OR D10.78X2.62 RIF 3043 90SHORE ^D | 3 |
| 1101.P6 | OR D57.15X3.53 RIF 161 | 6 |
| 1101.Q5 | OR D75.79X3.53 RIF 4300 ^{B,C} | 3 |
| 1101.R4 | OR D275.00x4.00 RIF 2750-40 | 1 |
| 1101.R8 | OR D158.3x3.53 RIF 4625 | 2 |
| 1101.R9 | OR D44.04X3.53 RIF 4175 90SHORE ^A | 6 |
| 1205.79 | PISTON D32 | 3 |
| 1221.73 | PRESSURE RING D32 ^C | 3 |
| 1242.P4 | M12 UNI-ISO3266 ZINC PLATED EYEBOLT | 2 |
| 1403.59 | WASHER ^D | 3 |

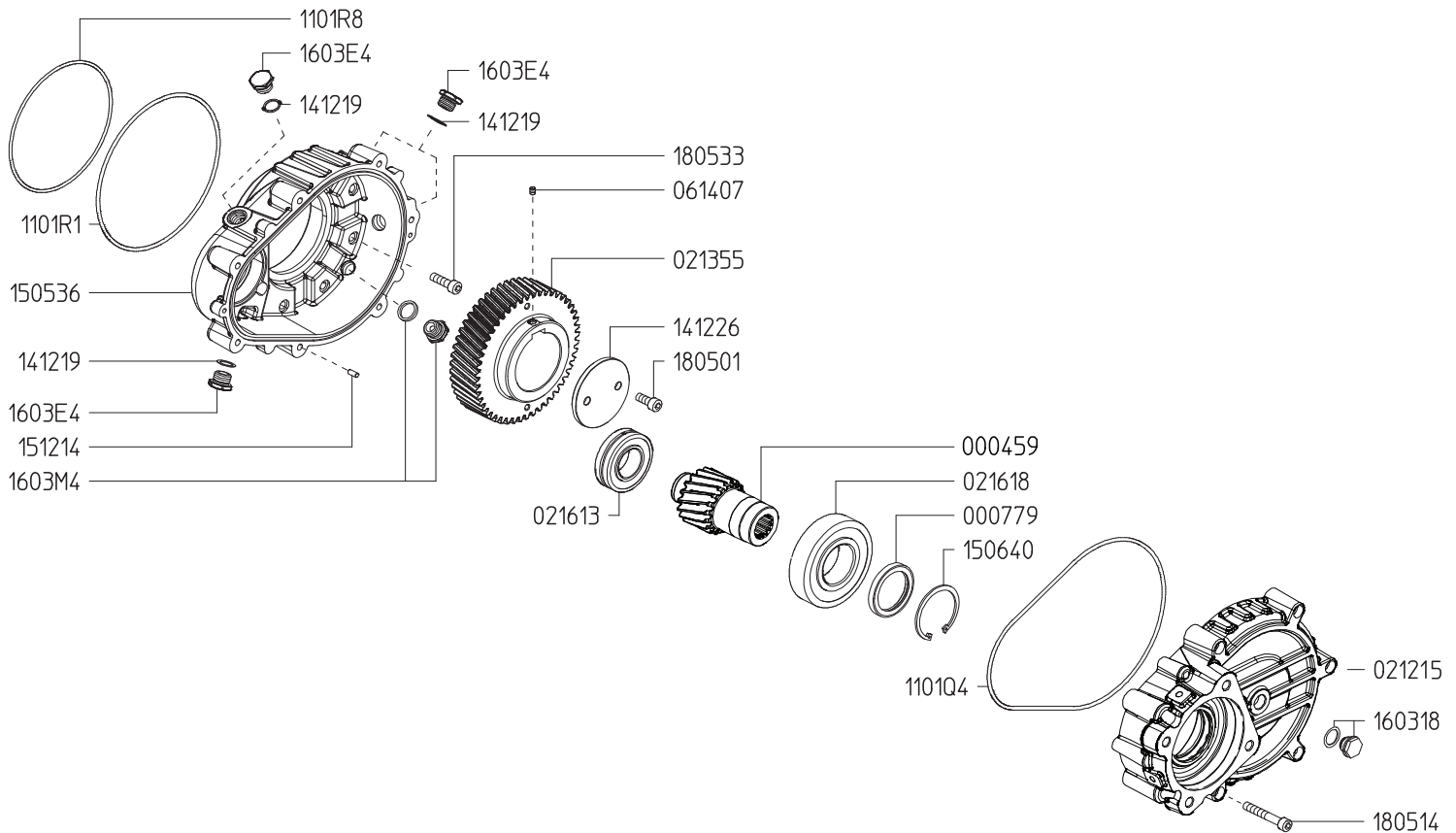
| Part # | Description | Qty |
|----------------------|---|-----|
| 1412.19 | BONDED SEAL G1/2" | 10 |
| 1412.20 | BONDED SEAL G3/4" | 1 |
| 1412.25 | BONDED SEAL G1" | 1 |
| 1412.29 | BONDED SEAL G1/4" | 3 |
| 1412.30 | BONDED SEAL G2" | 1 |
| 1502.21 | PIN | 3 |
| 1506.35 | SNAP RING D28 UNI7437 | 6 |
| 1506.36 | SNAP RING D55 UNI7437 INOX | 1 |
| 1506.40 | SNAP RING D72 UNI7437 | 3 |
| 1534.16 | SHIM 0,1mm | 1 |
| 1534.17 | SHIM 0,2mm | 1 |
| 1603.E4 | INOX PLUG G1/2" | 10 |
| 1603.E6 | INOX PLUG G3/4" | 1 |
| 1603.H2 | INOX PLUG G1" | 1 |
| 1603.L6 | INOX PLUG G2" | 1 |
| 1603.L7 | INOX PLUG G1/4" | 3 |
| 1603.M3 | OIL LEVEL SIGHT GLASS G3/4" | 1 |
| 1604.N8 | PUMP HEAD "HX-HP" | 1 |
| 1625.16 | OIL VENT PLUG G3/4" | 1 |
| 1804.26 | HEX SCREW M6X20 UNI 5739 ZINC PLATED | 2 |
| 1805.01 | SOCKET HEAD SCREW M10X25 UNI5931 ZINC PLATED | 8 |
| 1805.06 | SOCKET HEAD SCREW M8X20 UNI5931 ZINC PLATED | 12 |
| 1805.81 | SOCKET HEAD SCREW M18X180 UNI5931 12.9 GEOMET | 8 |
| 1805.82 | SOCKET HEAD SCREW M18X60 UNI5931 12.9 GEOMET | 16 |
| 1805.86 | HEX SCREW M10X65 | 6 |
| 1807.26 | HEX SCREW M12X130 DIN6921 INOX ^D | 3 |
| 6000.C4 | PISTON ROD SUBASSEMBLY | 3 |
| 6006.B9 | VALVE SUBASSEMBLY ^A | 3 |
| 6006.C1 | VALVE SUBASSEMBLY ^A | 3 |
| ^A 6072.03 | KIT 257 | |
| ^B 6700.09 | KIT 308 | |
| ^C 6600.10 | KIT 309 | |
| ^D 6072.06 | KIT 260 | |

RH115 MI GEAR REDUCER

1.875:1 PTO GEAR REDUCTION

for HXR1-C ___ / ___ R MI PUMPS

REQUIRES 101 OZ. 85W-90 GEAR LUBE



Revised 2-2-2024

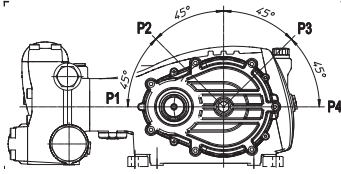
| Part # | Description | Qty | Part # | Description | Qty |
|---------|--------------------------------|-----|---------|--|-----|
| 0004.59 | PINION "RH 115 MI" | 1 | 1412.19 | BONDED SEAL G1/2" | 4 |
| 0007.79 | SHAFT SEAL D55 VITON | 1 | 1505.36 | GEARBOX CASE | 1 |
| 0212.15 | GEARBOX COVER - MI | 1 | 1506.40 | SNAP RING D72 UNI7437 ZINC PLATED | 1 |
| 0213.55 | GEAR "RH 115" | 1 | 1512.14 | CYLINDRICAL PIN D6,0X14 UNI-EN 28734 | 2 |
| 0216.13 | BEARING | 1 | 1603.18 | OIL LEVEL SIGHT GLASS PLUG G1/2" | 1 |
| 0216.18 | BEARING | 1 | 1603.E4 | INOX PLUG G1/2" | 4 |
| 0614.07 | SOCKET SET SCREW M8X10 UNI5929 | 1 | 1603.M4 | MAGNETIC PLUG G1/2" | 1 |
| 1101.R1 | OR D209,15X3,53 RIF 4825 | 1 | 1805.01 | SOCKET HEAD SCREW M10X25 UNI5931 ZINC PLATED | 2 |
| 1101.Q4 | OR D266,30X3,53 RIF 41050 | 1 | 1805.33 | SOCKET HEAD SCREW M10X35 UNI5931 ZINC PLATED | 8 |
| 1101.R8 | OR D158.3x3.53 RIF 4625 | 1 | 1805.14 | SOCKET HEAD SCREW M10X60 UNI5931 ZINC PLATED | 7 |
| 1412.26 | WASHER | 1 | | | |

HXR SERIES DIMENSIONS

HXR-MI SERIES PUMPS - 14T 12/24 DP SAE C SHAFT

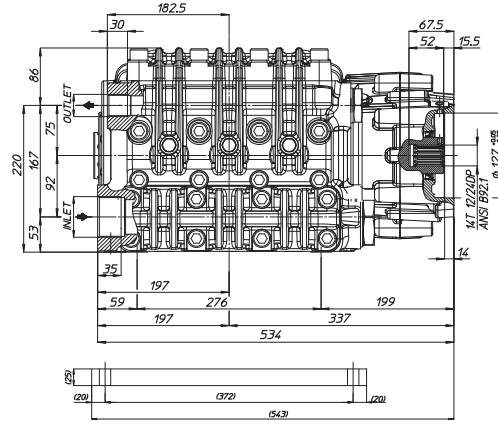
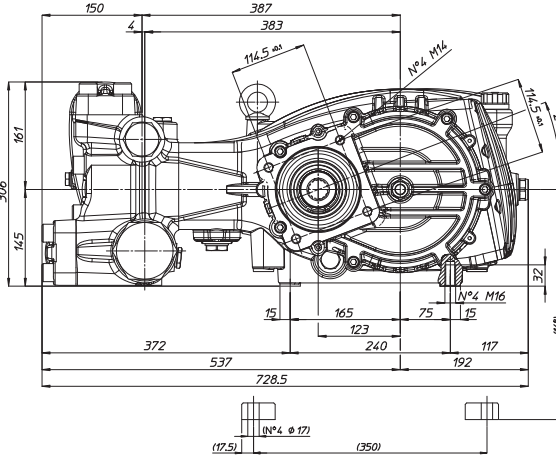
WEIGHT
LUBRICATION - PUMP
- GEARBOX

411.5 LBS
237 OZ 85W-90 OIL
101 OZ 85W-90 OIL



Depending on specific needs, the Gearbox can be mounted in four different positions P1,P2,P3,P4 as shown in the picture at left.

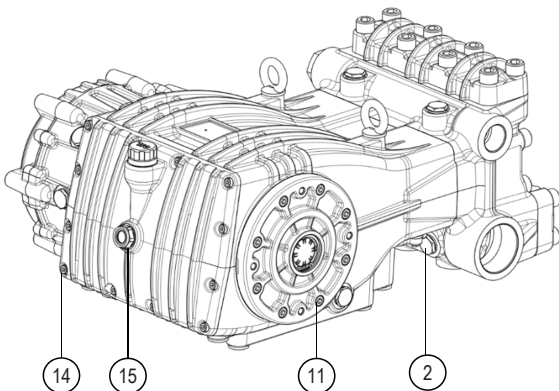
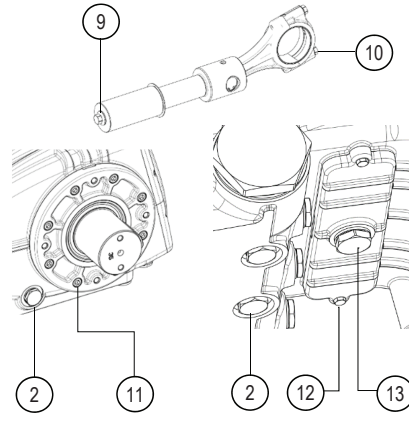
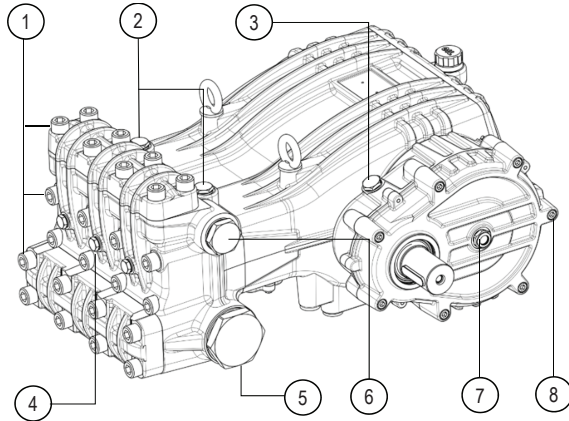
Dimensional Drawings are Shown in Millimeters. To Convert to Inches, Multiply Dimension x 0.03937



| | INLET | OUTLET |
|--------------|-------|--------|
| 135/300 R MI | G 2" | G 1" |
| 160/240 R MI | G 2" | G 1" |

| | INLET | OUTLET |
|--------------|----------|----------|
| 210/200 R MI | G 2" 1/2 | G 1" 1/4 |
| 270/160 R MI | G 2" 1/2 | G 1" 1/4 |
| 330/130 R MI | G 2" 1/2 | G 1" 1/4 |
| 400/100 R MI | G 2" 1/2 | G 1" 1/4 |

TORQUE SPECS



| Position | Description | Torque | |
|----------|-----------------------------|--------|-------------|
| 1 | Head M18 screw | 450 Nm | 332 ft/lb |
| | Valve cover M18 screw | | |
| 2 | Plug G1/2" | 100 Nm | 74 lb/ft |
| 3 | Plug G1/2" 74 lb/ft | 100 Nm | 74 lb/ft |
| | Magnetic plug G1/2" | 25 Nm | 18.4 lb/ft |
| 4 | Plug G1/4" | 50 Nm | 37 lb/ft |
| 5 | Plug G2" | 250 Nm | 184.4 lb/ft |
| | Plug G2"-1/2 | | |
| 6 | Plug G1"-1/4 74 lb/ft | 250 Nm | 184.4 lb/ft |
| | Plug G1" | 200 Nm | 147.5 lb/ft |
| 7 | Oil level sight glass G1/2" | 25 Nm | 18.4 lb/ft |
| 8 | Screw M10 | 50 Nm | 37 lb/ft |
| 9 | Screw M12 | 50 Nm | 37 lb/ft |
| 10 | Screw M10 | 50 Nm | 37 lb/ft |
| 11 | Screw M10 | 50 Nm | 37 lb/ft |
| 12 | Screw M6 | 11 Nm | 8.1 lb/ft |
| 13 | Plug G3/4" | 100 Nm | 74 lb/ft |
| 14 | Screw M8 | 25 Nm | 18.4 lb/ft |
| 15 | Oil level sight glass G3/4" | 25 Nm | 18.4 lb/ft |