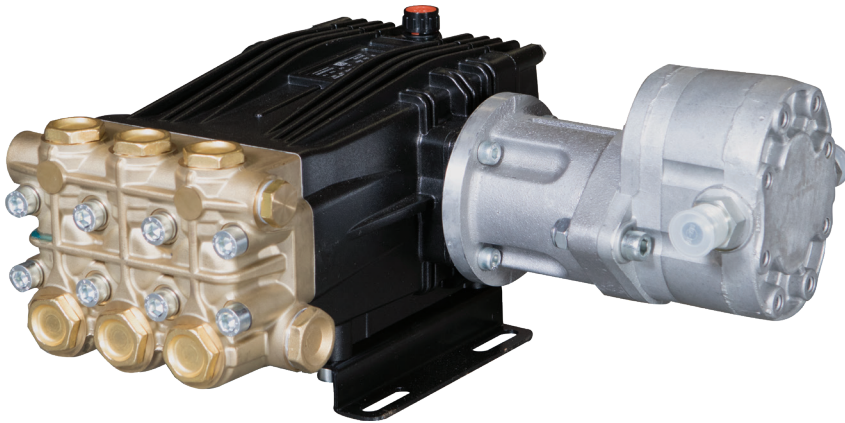


## Hydraulic Drive Assemblies

Pump, Hydraulic Motor, Mounting Rails  
1750 RPM



- Solid Ceramic Plungers
- Stainless Steel Check Valves
- Heavy Duty Brass Manifold with External and Internal Bracing
- High Strength Aluminum Alloy Connecting Rods.
- Large Diameter Brass Valve Caps with Increased Thread Depth
- Reinforcing Ring on Inlet and Discharge Ports
- Deeper Back Cover for Increased Oil Capacity
- 34.5 oz. Capacity Vented Oil Bath Crank Case
- 3/4" BSP-F Inlet. 3/8" BSP-F Outlet: 5.5 - 8.5 GPM
- 3/4" BSP-F Inlet. 1/2" BSP-F Outlet: 9.0 GPM & Above
- Max Fluid Temp, 160°F

### CD Series Hydraulic Drive Assemblies

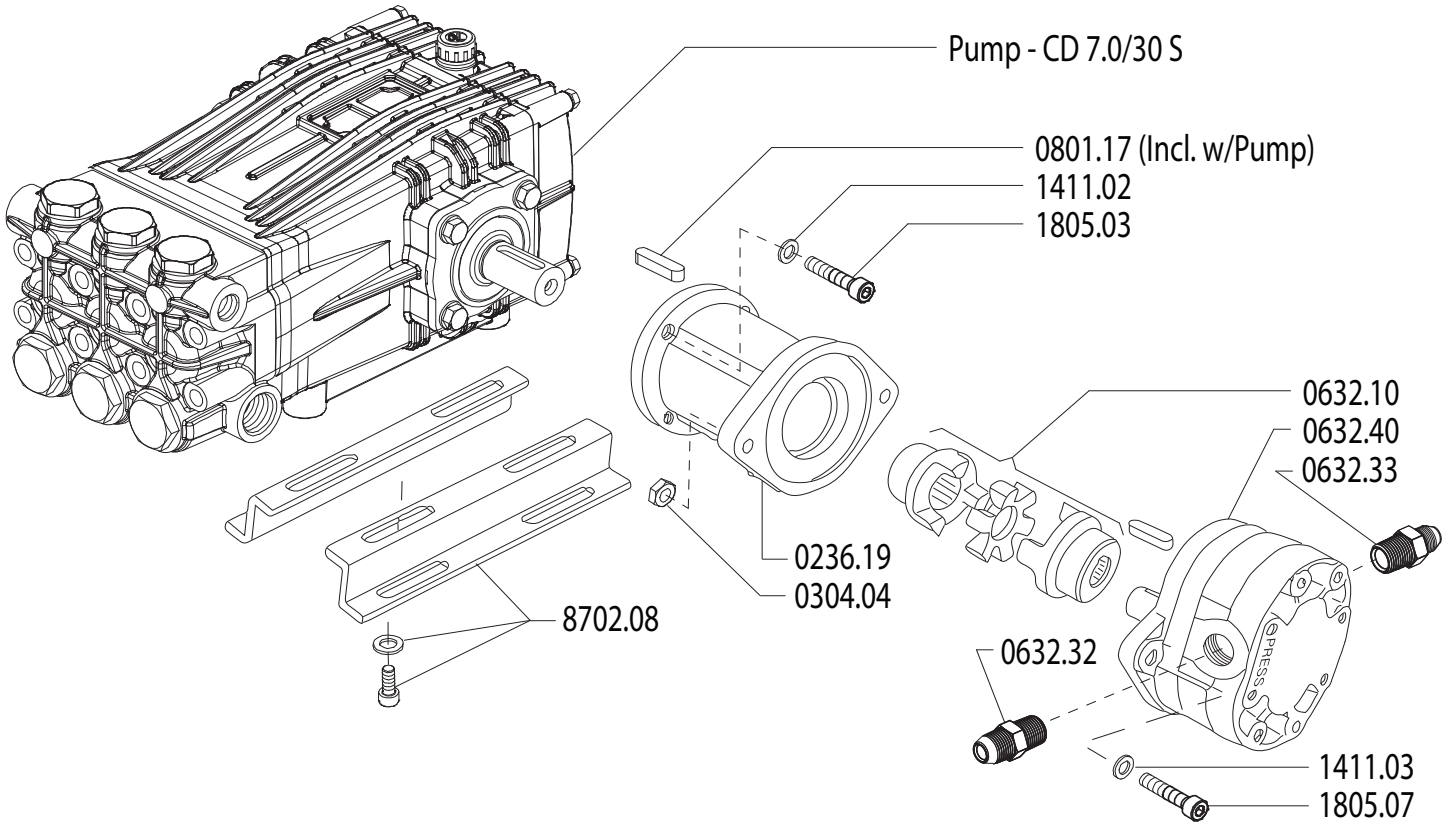
CD Series standard duty hydraulic drive plunger pump assemblies include a wide range of models with flow rates from 5.5 to 8.5 GPM and pressures up to 3000 PSI.

Applications include general pressure cleaning, sewer jetting, vehicle wash equipment, street cleaning, construction, hydro-excavation and UHP fire fighting applications.

	Model	GPM	l/min	PSI	bar	Hydraulic Requirements	Weight	
1750 RPM	CD 5.5/30 SH	5.5	21	3000	200	12.0 GPM @ 1700 PSI	48 lbs	
	CD 7.0/22 SH	7.0	26	2200	150	12.0 GPM @ 2000 PSI	48 lbs	
	CD 8.5/20 SH	8.5	32	2000	130	12.0 GPM @ 2000 PSI	48 lbs	
1750 RPM	CD 5.5/30 SHK	C Series Hydraulic Drive Plunger Pump with hydraulic gear motor, mounting rails, unloader, 1" hose barb inlet, thermal relief valve, safety pop-off valve and 14" x 20" base with rubber bumpers.						80 lbs
	CD 7.0/22 SHK							80 lbs
	CD 8.5/20 SHK							80 lbs



MAX FLOW	7.0 GPM / 26.0 L/MIN
MAX PRESSURE	2200 PSI / 150 BAR
RATED PUMP SPEED	1750 RPM
HYDRAULIC REQUIREMENT	12.0 GPM / 2000 PSI
LUBRICATION	34.5 OZ UDOR LUBE



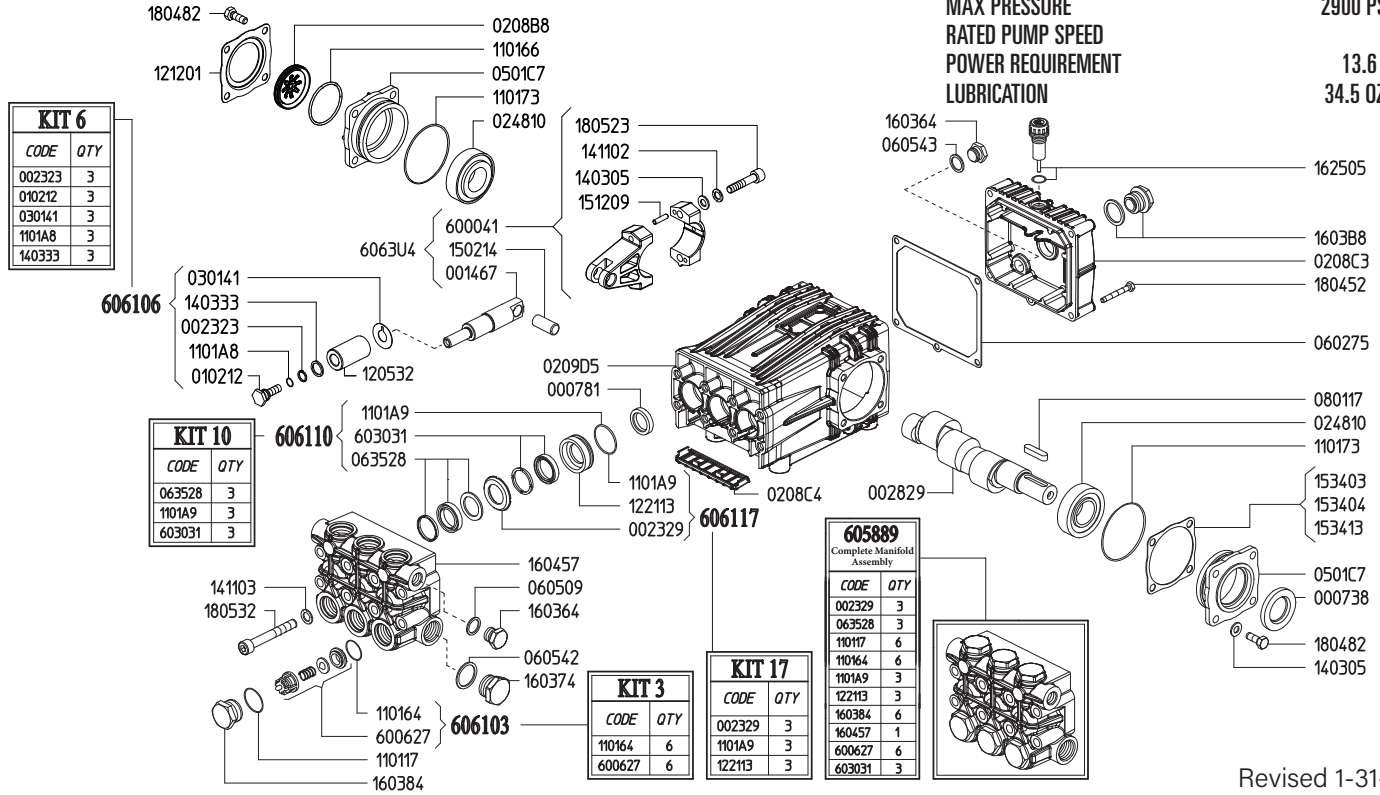
Revised 1-31-2024

Part #	Description	Qty
0236.19	ADAPTER HYDRAULIC MOTOR	1
0304.04	NUT - M10	2
0632.10	COUPLER 24MMX3/4	1
0632.32	HYDRAULIC FITTING - INLET	1
0632.33	HYDRAULIC FITTING - OUTLET	1
0632.40	HYDRAULIC MOTOR M/G	1

Part #	Description	Qty
1411.02	WASHER - D8	4
1411.03	WASHER - D10	2
1805.03	ALLEN BOLT M8 1.25x30	4
1805.07	ALLEN BOLT M10 1.5x40	2
8702.10	RAIL KIT WITH BOLTS/WASHERS	1

MAX FLOW  
MAX PRESSURE  
RATED PUMP SPEED  
POWER REQUIREMENT  
LUBRICATION

7.0 GPM / 26.5 L/MIN  
2900 PSI / 200 BAR  
1750 RPM  
13.6 HP ELECTRIC  
34.5 OZ UDOR LUBE



Revised 1-31-2024

Part #	Description	Qty	Part #	Description	Qty
0007.38	OIL SEAL D30	1	1403.33	WASHER D13.4 <sup>B</sup>	3
0007.81	OIL SEAL D20	3	1411.02	SERATED WASHER D8	6
0014.67	PLUNGER GUIDE D22/25/28 "C/CK"	3	1411.03	SERATED WAHSER D10	8
0023.23	RING D10.4 <sup>B</sup>	3	1502.14	PIN D14X32	3
0023.29	UPPER RING D20 "M/MK" <sup>D E</sup>	3	1512.09	PLUG D5X20 UNI1707	6
0028.29	MALE SHAFT D24	1	1534.03	SHIM 0.1 MM	1
0102.12	PLUNGER BOLT <sup>B</sup>	3	1534.04	SHIM 0.2 MM	1
0208.B8	OIL SIGHT GLASS	1	1534.13	SHIM 0.05 MM	1
0208.C3	BACK COVER "C/CK"	1	1603.64	PLUG G3/8	2
0208.C4	COVER "C/CK"	1	1603.74	PLUG G3/4	1
0209.D5	CRANKCASE "C/CK/CH"	1	1603.84	VALVE PLUG PISTON D22/25 <sup>E</sup>	6
0248.10	ROLLER BEARING D30	2	1603.B8	OIL PLUG G3/4" + GASKET	1
0301.41	SLINGER RING <sup>B</sup>	3	1604.57	HEAD "C/G" PISTON D22/25 <sup>E</sup>	1
0501.C7	BEARING HOLLOW FLANGE	2	1625.05	OIL PLUG G3/8	1
0602.75	BACK COVER GASKET	1	1804.52	HEX BOLT M6X45	5
0605.09	GASKET D17	1	1804.82	HEX BOLT M8X22	8
0605.42	GASKET D27	1	1805.23	ALLEN BOLT M8X40	6
0605.43	GASKET D17	1	1805.32	ALLEN BOLT M10X75	8
0635.28	HIGH PRESSURE SEAL KIT D22 <sup>C E</sup>	3	6000.41	ROD ASSEMBLY	3
0801.17	KEY A8X7X35	1	6006.27	VALVE ASSEMBLY W/O O-RING <sup>A E</sup>	6
1101.17	O-RING - VALVE PLUG <sup>E</sup>	6	6030.31	LOW PRESSURE SEAL ASSY D22 <sup>C</sup>	3
1101.64	O-RING - VALVE <sup>A E</sup>	6	6058.89	COMPLETE MANIFOLD ASSEMBLY	1
1101.66	O-RING - OIL SIGHT GLASS	1	6061.03	KIT 3 VALVE KIT	1
1101.73	O-RING - BEARING FLANGE	2	6061.06	KIT 6 PLUNGER KIT	1
1101.A8	O-RING - PLUNGER BOLT <sup>B</sup>	3	6061.10	KIT 10 WATER SEAL KIT D22 "C/CK"	1
1101.A9	O-RING - PRESSURE RING <sup>C D E</sup>	3	6061.17	KIT 17 BRASS RING KIT D22 "C/CK/NX"	1
1205.32	CERAMIC PLUNGER D22	3			
1212.01	RETAINER - OIL SIGHT GLASS	1			
1221.13	PRESSURE RING D22 <sup>D E</sup>	3			
1403.05	WASHER D8.4	10			

<sup>A</sup> Parts in 6061.03 (Kit 3).

<sup>B</sup> Parts in 6061.06 (Kit 6).

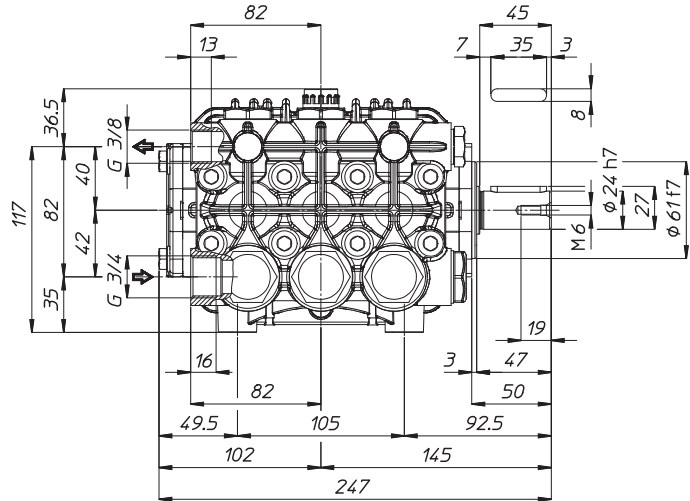
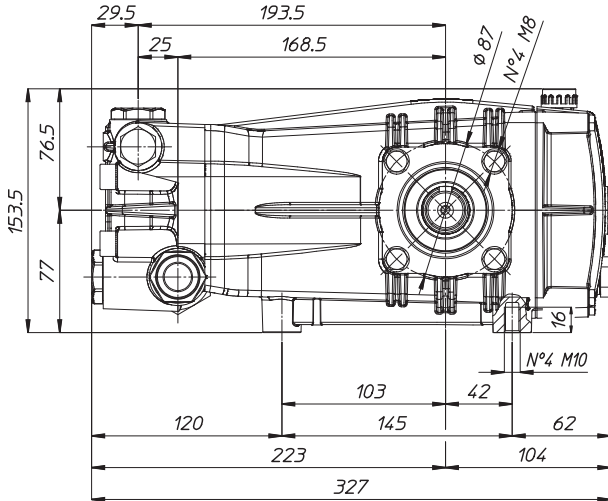
<sup>C</sup> Parts in 6061.10 (Kit 10).

<sup>D</sup> Parts in 6061.17 (Kit 17).

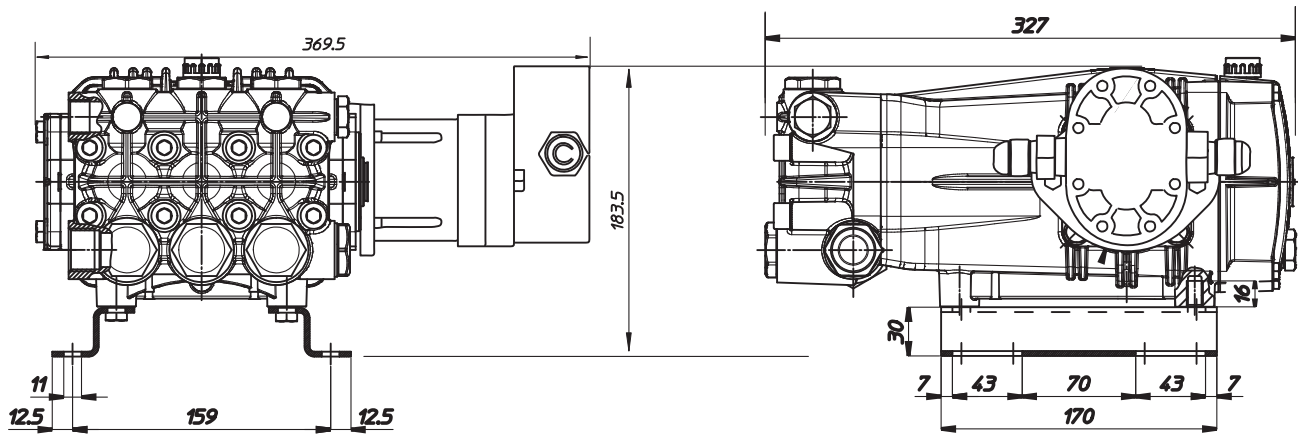
<sup>E</sup> Parts in 6058.89 (Complete Manifold Assembly)

## C SERIES PUMPS BELOW 9 GPM

*Dimensional Drawings are  
Shown in Millimeters.  
To Convert to Inches,  
Multiply Dimension x 0.03937*



## C SERIES HYDRAULIC DRIVE PUMP ASSEMBLY



## TORQUE SPECS

Ref.	Description	Ft./lb.	Nm	Loctite®
1	Head Bolts	37	50	-
2	Valve Caps	103	140	243
3	Inlet Cap	103	140	-
4	Outlet Cap	103	140	243
5	Bearing Flange Bolts	19	25	-
6	Rear Cover Bolts	8	11	-
7	Connecting Rod Bolts	19	25	270
8	Plunger Bolts	15	20	270
9	Valve Cover Bolts	-	-	-
10	Oil Drain Plug	8	11	-

