

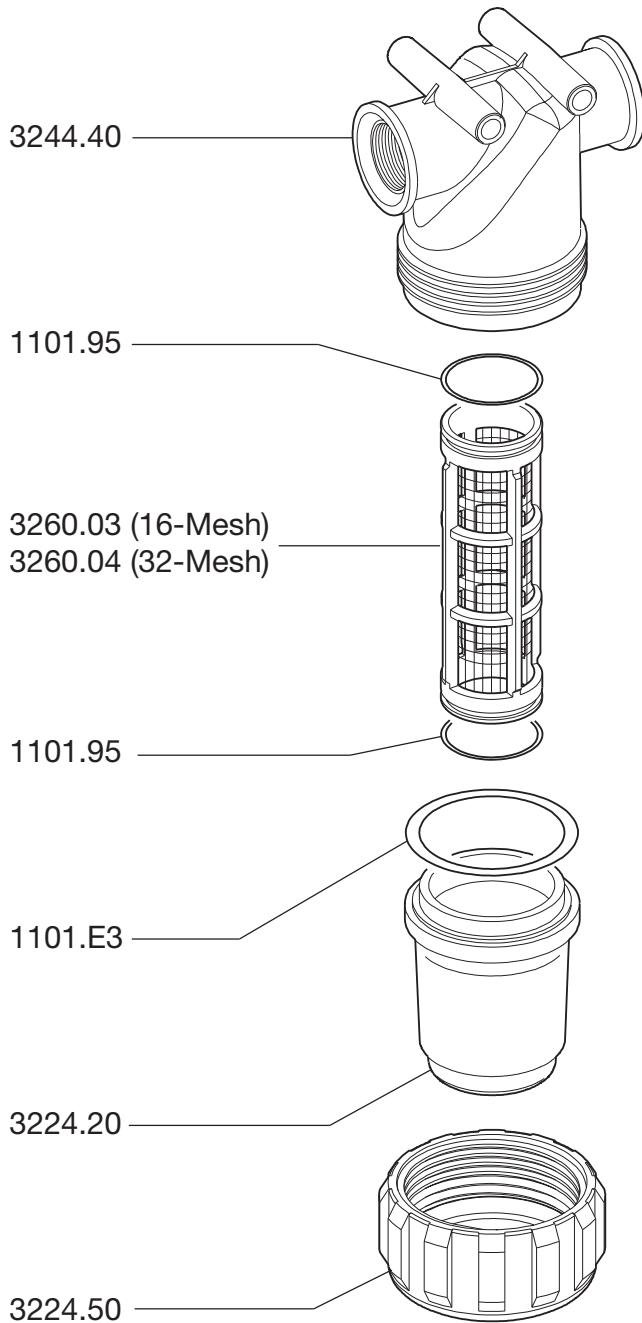
For Diaphragm Pumps, Use 16 Mesh Screens  
UD1-16

For Plunger Pumps, Use 32 Mesh Screens  
UD1-32

## Polypropylene Inline Strainer

Maximum Flow	10.0 GPM / 37.9 lpm
Maximum Pressure	220 PSI / 15 bar
Inlet Port	1" FNPT
Outlet Port	1" FNPT

Revised 3-11-2022



Part #	Description	Qty
1101.95	O-RING	2
1101.E3	O-RING	1
3224.20	BOWL	1
3224.50	NUT	1
3244.40	STRAINER HEAD, 1"	1
3260.03	SCREEN, 16-MESH	1
3260.04	SCREEN, 32-MESH	1