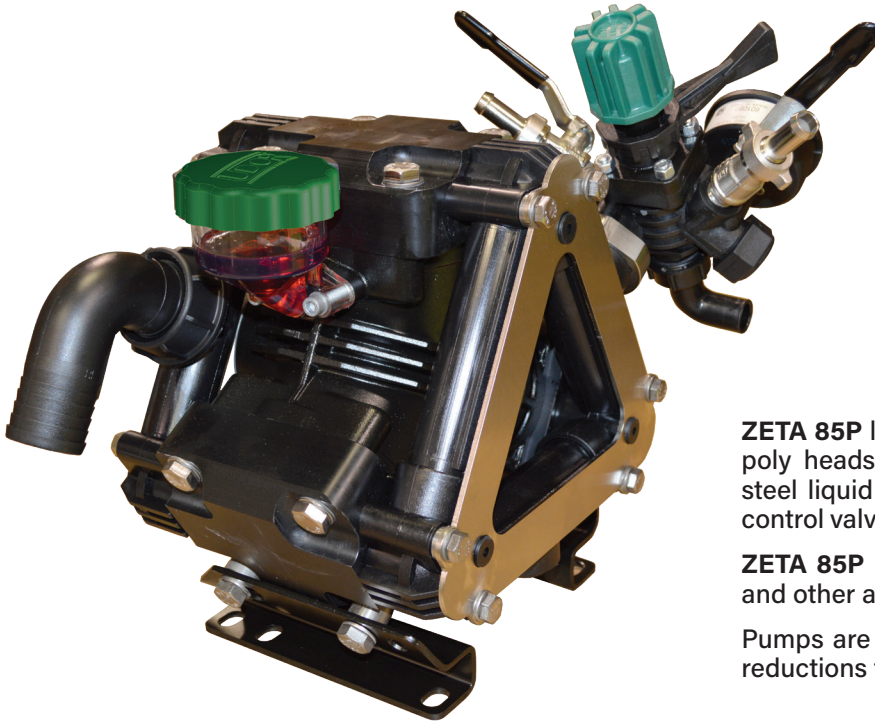


3-Cylinder, Low-Pressure Diaphragm Pumps



ZETA 85P low pressure 3-cylinder diaphragm pumps have poly heads, externally mounted manifolds and stainless-steel liquid handling parts and hardware components. A control valve with pressure gauge is standard on all models.

ZETA 85P pumps are excellent for the soft wash industry and other aggressive fluid applications.

Pumps are available with Universal VA Drive Face or gear reductions for 4 to 6.5 HP gas engines.

Model	GPM	l/min	PSI	bar	RPM	Drive Configuration	Weight
ZETA 85P VA	22.0	85	300	20	550	Universal VA Drive Face.	29 LBS
ZETA 85P VAGR3/4	22.0	85	300	20	550	Gear Reduction for 3/4" Shaft Gas Engine, 4-6.5 HP	36 LBS

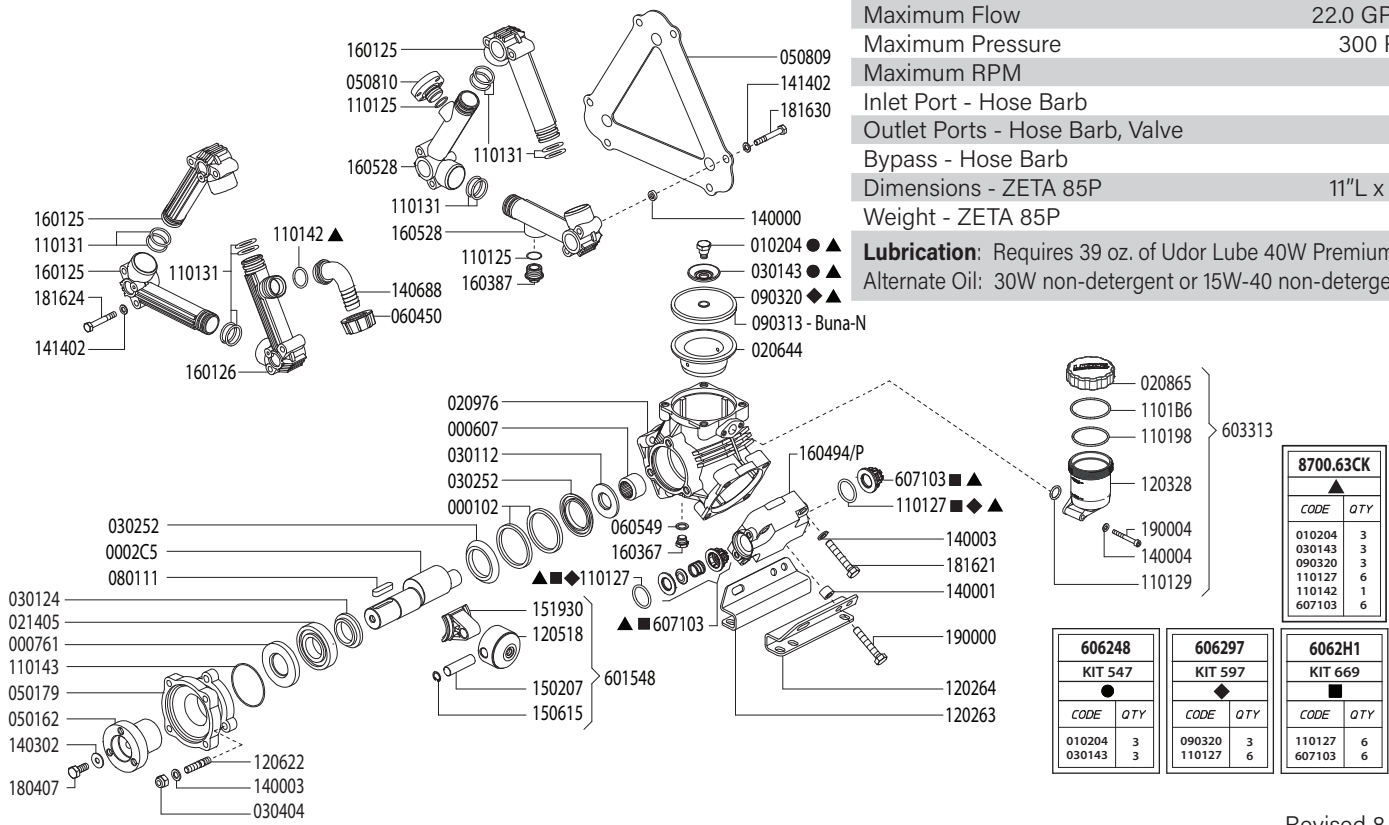
Specifications	ZETA 85P	Description	Part #
Inlet Port	1-1/2" Hose Barb	Diaphragm Kit - GREENTECH	6062.97
Outlet Ports - Valve	(2) 1/2" Hose Barb	Diaphragm Bolt & Washer Kit	6062.48
Bypass	3/4" Hose Barb	Valve Kit	6062.H1
Piston Diameter	60.0mm	Regulator Repair Kit	6062.A9
Crankshaft Stroke/Code	18.0mm / A	Complete Repair Kit	8700.63CK
Dims. - Pump Only	11"L x 11"W x 12"H		
- GR Version	16"L x 11"W x 12"H		

Lubrication: Requires 39 oz. of Udor Lube 40W Premium Pump Oil.
Alternate Oil: 30W non-detergent or 15W-40 non-detergent oil.



Maximum Flow	22.0 GPM / 85 lpm
Maximum Pressure	300 PSI / 20 bar
Maximum RPM	550 RPM
Inlet Port - Hose Barb	1-1/2" HB
Outlet Ports - Hose Barb, Valve	(2) 1/2" HB
Bypass - Hose Barb	3/4" HB
Dimensions - ZETA 85P	11"L x 11"W x 12"H
Weight - ZETA 85P	29 lbs

Lubrication: Requires 39 oz. of Udor Lube 40W Premium Pump Oil.
Alternate Oil: 30W non-detergent or 15W-40 non-detergent oil.



8700.63CK	
CODE	QTY
010204	3
030143	3
090320	3
110127	6
110142	1
607103	6

606248 KIT 547	
CODE	QTY
010204	3
030143	3

606297 KIT 597	
CODE	QTY
090320	3
110127	6

6062H1 KIT 669	
CODE	QTY
110127	6
607103	6

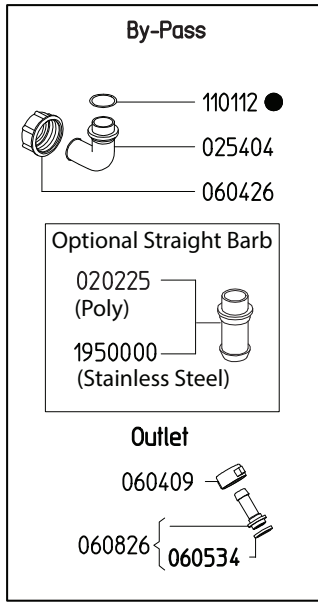
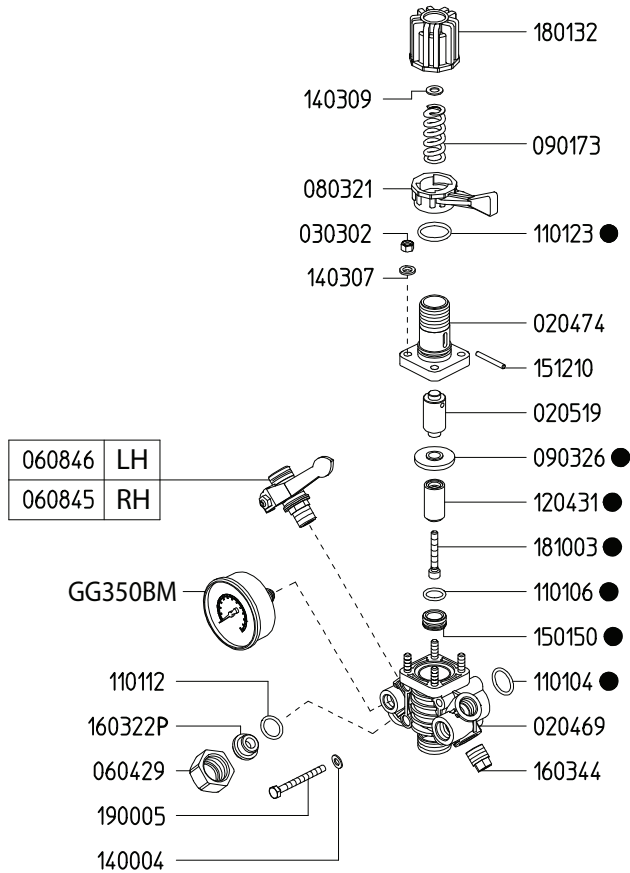
Revised 8-29-2024

Part #	Description	Qty	Part #	Description	Qty
0001.02	RETAINER RING	2	1206.22	STUD M10X46	3
0002.C5	CRANKSHAFT	1	1400.00	DISCHARGE MANIFOLD SPACER S.S.	6
0006.07	BEARING	1	1400.01	RAIL SPACER S.S.	4
0007.61	SEAL	1	1400.03	HEAD BOLT WASHER S.S.	11
0102.04	DIAPHRAGM BOLT S.S. ●▲	3	1400.04	WASHER M8 S.S.	2
0206.44	PISTON SLEEVE	3	1403.02	WASHER M10	1
0208.65	OIL RESERVIOR CAP	1	1406.88	SUCTION ELBOW 1-1/2"	1
0209.76	CRANKCASE	1	1414.02	MANIFOLD WASHER S.S.	12
0214.05	BALL BEARING D35	1	1502.07	CONNECTING ROD PIN 15X54	3
0301.12	BEARING DISC D25	1	1506.15	SNAP RING	6
0301.24	BEARING DISC D35	1	1519.30	CONNECTING ROD	3
0301.43	DIAPHRAGM WASHER ●▲	3	1601.25	INLET/OUTLET MANIFOLD TUBE	3
0302.52	ROD SPACER	2	1601.26	SUCTION MANIFOLD TUBE G1-1/2" M	1
0304.04	NUT	3	1603.67	OIL PLUG G1/4	1
0501.62	ADAPTER - VA	1	1603.87	MANIFOLD PLUG G3/4	2
0501.79	FLANGE - VA	1	1604.94/P	HEAD - POLY	3
0508.09	DISCHARGE PLATE S.S.	1	1605.28	DISCHARGE MANIFOLD TUBE G3/4" F	2
0508.10	REGULATOR ADAPTER S.S.	1	1804.07	HEX BOLT M10X25	1
0604.50	BARB NUT	1	1900.00	RAIL BOLT S.S.	4
0605.49	OIL PLUG GASKET	1	1816.21	HEAD BOLT S.S.	12
0801.11	KEY 10X8X40	1	1816.24	SUCTION MANIFOLD BOLT S.S.	6
0903.13	PISTON DIAPHRAGM 100mm,BUNA-N	3	1816.30	DISCHARGE MANIFOLD BOLT S.S.	6
0903.20	PISTON DIAPHRAGM 100mm,GREENTECH ◆▲	3	1900.04	ALLEN BOLT M6X50 S.S.	2
1101.25	O-RING - PLUG & ADAPTER	2	6015.48	PISTON / ROD ASSEMBLY D60	3
1101.27	O-RING - VALVE ◆◆▲	6	6033.13	OIL RESERVIOR ASSEMBLY	1
1101.29	O-RING - OIL RESERVIOR	1	6071.03	VALVE ASSEMBLY 316SS W/O O-RING ■▲	6
1101.31	O-RING - MANIFOLD	12	6062.48	DIAPHRAGM WASHER/BOLT (KIT 547)	1
1101.42	O-RING - INLET BARB▲	1	6062.97	DIAPHRAGM KIT - GREENTECH (KIT 597)	1
1101.43	O-RING - FLANGE	1	6062.H1	INLET/OUTLET VALVE KIT (KIT 669)	1
1101.98	O-RING - OIL RESERVIOR	1	8700.63CK	COMPLETE REPAIR KIT	1
1101.B6	O-RING - OIL RESERVIOR	1			
1202.63	MOUNTING RAIL - RIGHT SIDE	1			
1202.64	MOUNTING RAIL - LEFT SIDE	1			
1203.28	OIL RESERVIOR	1			
1205.18	ALUMINUM PISTON D60	3			

- Parts in 6062.48 (Kit 547)
- ◆ Parts in 6062.97 (Kit 597).
- Parts in 6062.H1 (Kit 669).
- ▲ Parts in 8700.63CK (Complete Repair Kit)

Adjustable Pressure Regulator

Maximum Flow	27.0 GPM / 102 lpm
Maximum Pressure	350 PSI / 24 bar
Inlet Port - Hose Barb	-
Outlet Ports - Hose Barb, Valve	(2) 1/2" HB
Bypass - Hose Barb	3/4" HB



6062A9	
KIT 608	
CODE	QTY
090326	1
110104	1
110106	1
110112	1
110123	1
120431	1
150150	1
181003	1

Revised 8-29-2024

Part #	Description	Qty
0202.25	BYPASS HOSE BARB - STRAIGHT (OPTIONAL)	1
0204.69	BODY	1
0204.70	BODY	1
0205.19	CYLINDER	1
0254.04	BYPASS HOSE BARB - ELBOW	1
0303.02	NUT	4
0604.09	BARB NUT	2
0604.26	BYPASS BARB NUT	1
0604.29	NUT	1
0605.34	GASKET	2
0608.26	1/2" HOSE BARB W/GASKET	2
0608.45	BALL VALVE - RIGHT	1
0608.46	BALL VALVE - LEFT	1
0803.21	LEVER	1
0901.73	SPRING (LP 300 PSI)	1
0903.26	DIAPHRAGM ●	1
0904.37	GG350BM - LOW PRESSURE GAUGE	1

Part #	Description	Qty
1101.04	O-RING ●	1
1101.06	O-RING ●	1
1101.12	O-RING ●	2
1101.23	O-RING ●	1
1204.31	POPPET ●	1
1400.04	WASHER S.S.	6
1501.50	SEAT ●	1
1512.10	PIN	1
1603.22P	PLUG - POLY	1
1603.44	PLUG	1
1801.32	ADJUSTMENT KNOB	1
1810.03	STAINLESS STEEL BOLT ●	1
1900.05	STAINLESS STEEL BOLT	2
19500.00	BYPASS HOSE BARB - STRAIGHT, SS (OPTIONAL)	1
6062.A9	REPAIR KIT FOR 6010.9X CONTROL UNIT (KIT 608)	

● Parts Included in Repair Kit #6062.A9 (KIT 608)

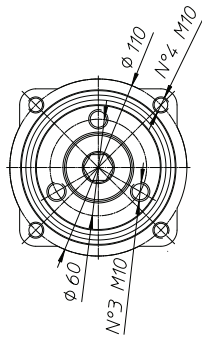
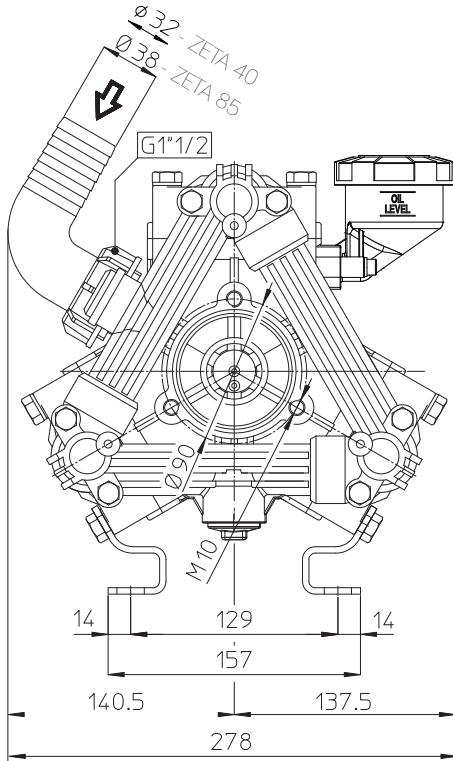
The control unit features a manual dump valve, pressure control knob, glycerine filled pressure gauge, and two ball valve discharge ports.

1. Before operating or re-operating the pump move lever (0803.21) to the dump position (Right) so the pump will start at zero pressure. (Failure to do so will void the pump warranty.)
2. Turn pressure adjustment knob (1801.32) counter clockwise to relieve spring tension. This step only applies to the initial start up and is not necessary in daily operation of pump.
3. Start unit and let run until air is evacuated from the system.
4. Move lever (0803.21) to the pressure position (Left) open spray gun or spray boom and turn the pressure adjustment knob (1801.32) clockwise until desired operating pressure is achieved.

ZETA 40P/85P DIMENSIONS

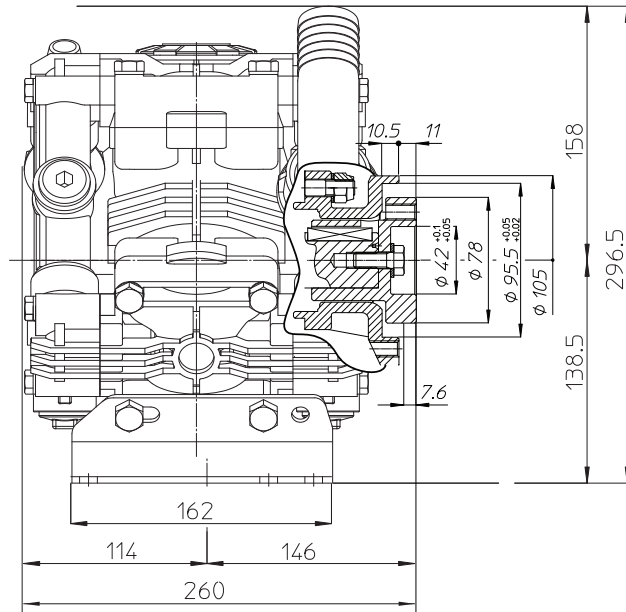
All Dimensions are WITHOUT Control Unit or Regulator

Dimensional Drawings are Shown in Millimeters. To Convert to Inches, Multiply Dimension x 0.03937



Specifications	ZETA 40P	ZETA 85P
Inlet Port - Hose Barb	1-1/4" HB	1-1/2" HB
Outlet Ports - Hose Barb, Valve	(2) 1/2" HB	(2) 1/2" HB
Bypass - Hose Barb	3/4" HB	3/4" HB
Dimensions - Pump Only		11"L x 11"W x 12"H
- GR Version		16"L x 11"W x 12"H
Diaphragm Material	GREENTECH (Std) Buna-N (Opt)	

Lubrication: Requires 39 oz. of Udor Lube 40W Premium Pump Oil. Alternate Oil: 30W non-detergent or 15W-40 non-detergent oil.



VA Universal Drive Face Detail

Dimensional Drawings are Shown in Millimeters. To Convert to Inches, Multiply Dimension x 0.03937

TORQUE SPECS

Ref.	Description	Ft./lb.	Nm
1	Diaphragm Bolts (Use Loctite 243)	18	25
2	Head Bolts	12	16
3	Pulsation Dampener Bolts	18	25
4	Oil Cup Bolts	6	8
5	Manifold Bolts (Plastic)	8	11

