

- Solid Ceramic Plungers
- Stainless Steel Check Valves
- Heavy Duty Brass Manifold with External and Internal Bracing
- High Strength Aluminum Alloy Connecting Rods.
- Large Diameter Brass Valve Caps with Increased Thread Depth
- Reinforcing Ring on Inlet and Discharge Ports
- Deeper Back Cover for Increased Oil Capacity
- 34.5 oz. Capacity Vented Oil Bath Crank Case
- 3/4" BSP-F Inlet. 3/8" BSP-F Outlet: 5.5 - 8.5 GPM
- 3/4" BSP-F Inlet. 1/2" BSP-F Outlet: 9.0 GPM & Above
- Max Fluid Temp, 160°F

### CC Series 24mm Keyed Solid Shaft Plunger Pumps

CC Series standard duty plunger pumps include a wide range of models with flow rates from 5.5 to 18.5 GPM and pressures up to 2900 PSI.

Other drive options include gas engine gear reduction and hydraulic motor flange.

Applications include general pressure cleaning, sewer jetting, vehicle wash equipment, street cleaning, construction, hydro-excavation and UHP fire fighting applications.

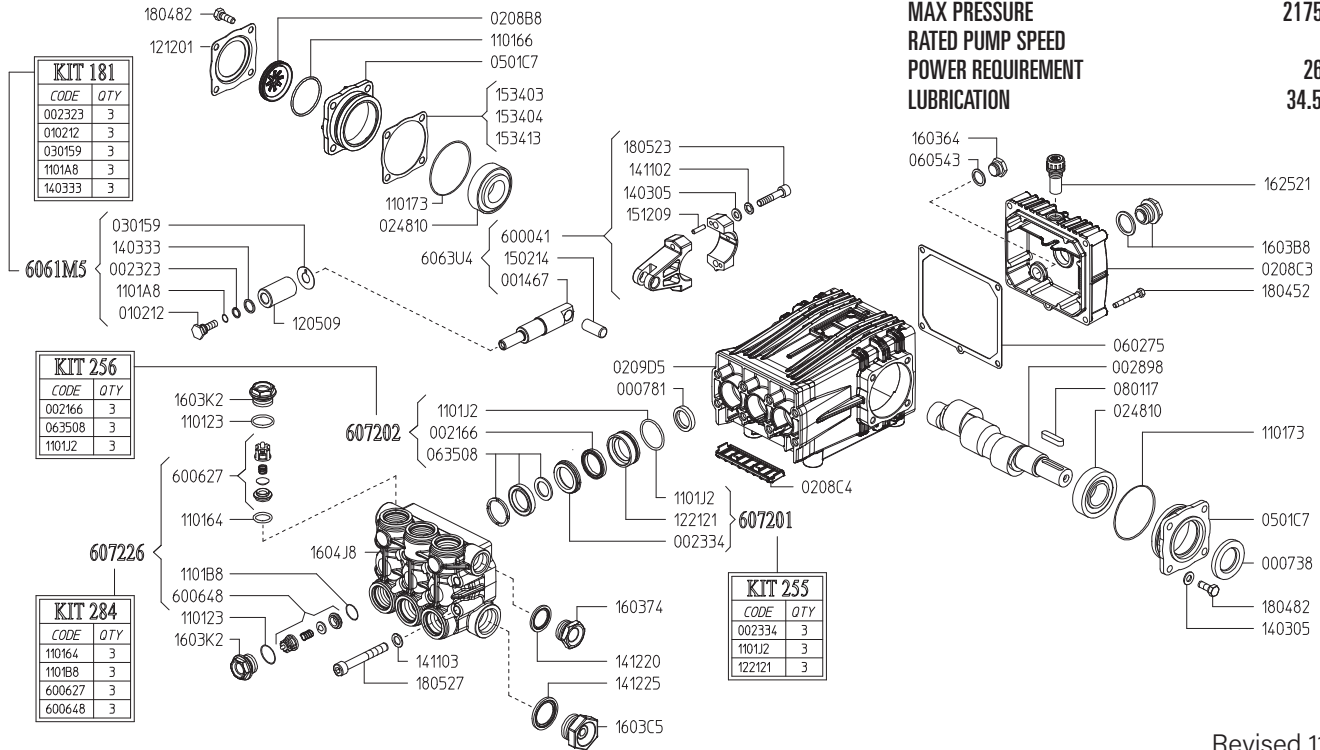
	Model	Flow		Pressure		Plunger Dia.	Crankshaft		Power	Seal Kit	Valve Kit	Wt.
		GPM	l/min	PSI	bar		Stroke	Code				
1450 RPM	CC 21/20 S	5.5	21.0	2900	200	22mm	13.5mm	N	10.8 EBHP	6061.10	6061.03	36 lbs
	CC 26/20 S	6.9	26.0	2900	200	22mm	17.0mm	X	13.3 EBHP	6061.10	6061.03	36 lbs
	CC 30/20 S	7.9	30.0	2900	200	25mm	15.0mm	V	15.4 EBHP	6061.11	6061.03	36 lbs
	CC 34/20 S	9.0	34.0	2900	200	25mm	17.0mm	X	17.4 EBHP	6061.11	6061.03	36 lbs
	CC 38/17 S	10.0	38.0	2465	170	28mm	15.0mm	V	16.6 EBHP	6061.12	6061.03	36 lbs
	CC 42/17 S	11.6	44.0	2465	170	28mm	17.0mm	X	19.2 EBHP	6061.12	6061.03	36 lbs
	CC 50/15 S	13.2	50.0	2175	150	28mm	19.0mm	Y	19.2 EBHP	6061.12	6061.03	36 lbs
	CC 70/15 S	18.5	70.0	2175	150	30mm	24.0mm	2	26.9 EBHP	6072.02	6072.26	36 lbs

NOTE: All pump models available with left-hand drive option. Add 'L' to model number when ordering (ex. CC 70/15 SL)



MAX FLOW  
MAX PRESSURE  
RATED PUMP SPEED  
POWER REQUIREMENT  
LUBRICATION

18.5 GPM / 70.0 L/MIN  
2175 PSI / 150 BAR  
1450 RPM  
26.9 HP ELECTRIC  
34.5 OZ UDOR LUBE



Revised 11-8-2024

Part #	Description	Qty
0007.38	OIL SEAL D30	1
0007.81	OIL SEAL D20	3
0014.67	PLUNGER GUIDE D22/25/28 "C/CK"	3
0021.66	WATER SEAL L.P. D30 BPC <sup>C</sup>	3
0023.23	RING D10.4 <sup>A</sup>	3
0023.34	UPPER RING <sup>B</sup>	3
0028.98	CRANKSHAFT D24	1
0102.12	PLUNGER BOLT <sup>A</sup>	3
0208.B8	OIL SIGHT GLASS	1
0208.C3	BACK COVER "C/CK"	1
0208.C4	COVER "C/CK"	1
0209.D5	CRANKCASE "C/CK/CH"	1
0248.10	ROLLER BEARING D30	2
0301.59	SLINGER RING D22 <sup>A</sup>	3
0501.C7	BEARING HOLLOW FLANGE	2
0602.75	BACK COVER GASKET	1
0605.43	GASKET D17	1
0635.08	HIGH PRESSURE SEAL KIT <sup>C</sup>	3
0801.17	KEY A8X7X35	1
1001.38	NIPPLE G3/4 M - 1" M	1
1101.23	O-RING - VALVE CAP	6
1101.64	O-RING - VALVE, DISCHARGE <sup>D</sup>	3
1101.66	O-RING - OIL SIGHT GLASS	1
1101.73	O-RING - BEARING FLANGE	2
1101.A8	O-RING - PLUNGER BOLT <sup>A</sup>	3
1101.B8	O-RING - VALVE, INLET <sup>D</sup>	3
1101.J2	O-RING - PRESSURE RING <sup>B,C</sup>	3
1205.09	CERAMIC PLUNGER	3
1205.34	CERAMIC PLUNGER D28	3
1212.01	RETAINER - OIL SIGHT GLASS	1
1221.21	PRESSURE RING <sup>B</sup>	3
1403.05	WASHER D8.4	10
1403.33	WASHER D13.2 <sup>A</sup>	3

Part #	Description	Qty
1411.02	SERRATED WASHER D8	6
1411.03	SERRATED WAHSER D10	8
1412.20	GASKET	1
1412.25	GASKET	1
1502.14	PIN D14X32	3
1512.09	PLUG D5X20	6
1534.03	SHIM 0.1 MM	1
1534.04	SHIM 0.2 MM	1
1534.13	SHIM 0.05 MM	1
1603.64	PLUG - 1/2"	1
1603.74	PLUG G3/4	1
1603.B8	OIL PLUG G3/4" + GASKET	1
1603.C5	PLUG G1	2
1603.K2	VALVE CAP	6
1604.J8	HEAD	1
1625.21	OIL PLUG G3/8	1
1804.52	HEX BOLT M6X45	5
1804.82	HEX BOLT M8X22	8
1805.23	ALLEN BOLT M8X40	6
1805.27	ALLEN BOLT	8
6000.41	ROD ASSEMBLY	3
6006.27	VALVE - DISCHARGE <sup>D</sup>	3
6006.48	VALVE - INLET <sup>D</sup>	3
6061.M5	PLUNGER KIT (KIT 181)	1
6072.01	BRASS RING KIT (KIT 255)	1
6072.02	WATER SEAL KIT (KIT 256)	1
6072.26	VALVE KIT (KIT 284)	1

<sup>A</sup> Parts in 6061.M5 (Kit 181).

<sup>B</sup> Parts in 6072.01 (Kit 255).

<sup>C</sup> Parts in 6072.02 (Kit 256).

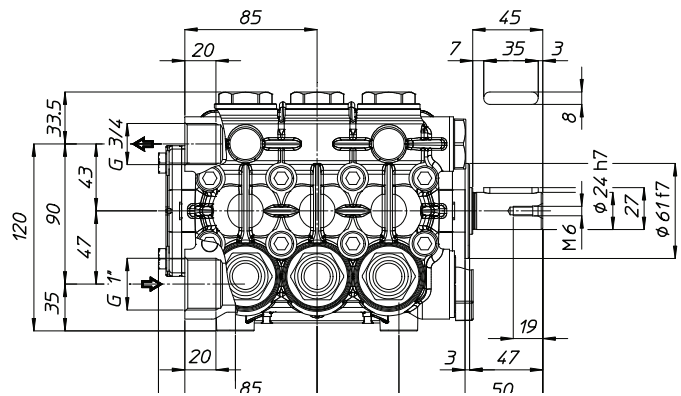
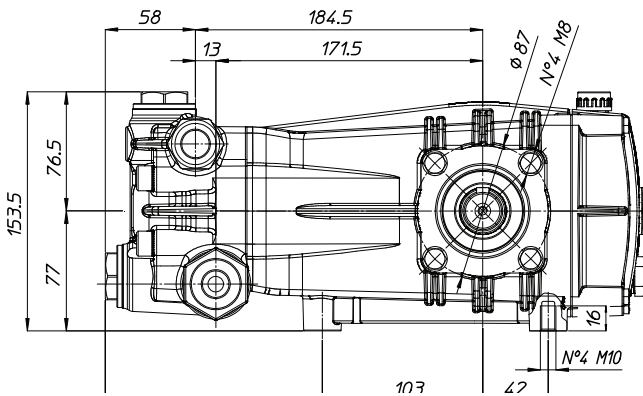
<sup>D</sup> Parts in 6072.26 (Kit 284).

WEIGHT  
LUBRICATION

36 LBS  
34.5 OZ UDOR LUBE

*Dimensional Drawings are  
Shown in Millimeters.  
To Convert to Inches,  
Multiply Dimension x 0.03937*

## CC 70/15 S & CD 18.5/22 S



## TORQUE SPECS

Ref.	Description	Ft./lb.	Nm	Loctite®
1	Head Bolts	37	50	-
2	Valve Caps	103	140	243
3	Inlet Cap	103	140	-
4	Outlet Cap	103	140	243
5	Bearing Flange Bolts	19	25	-
6	Rear Cover Bolts	8	11	-
7	Connecting Rod Bolts	19	25	270
8	Plunger Bolts	15	20	270
9	Valve Cover Bolts	-	-	-
10	Oil Drain Plug	8	11	-

