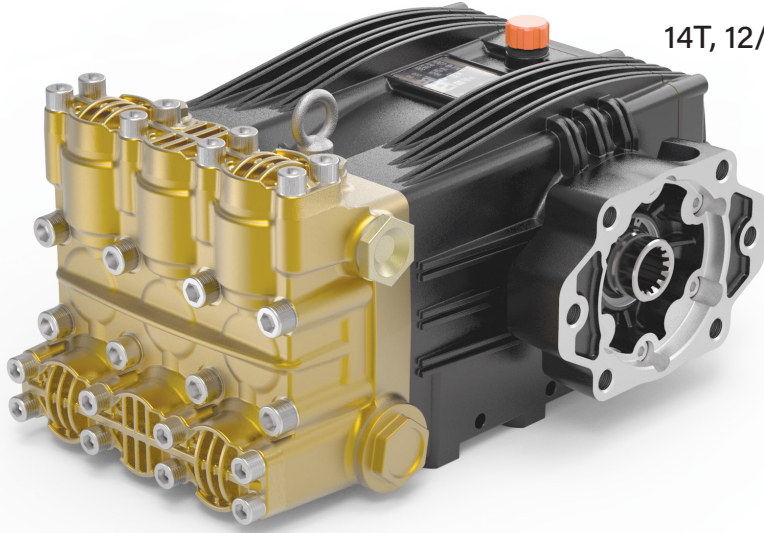


Hydraulic Drive Models

14T, 12/24 DP Splined Hollow Shaft. SAE J744B Flange
1000 RPM



- Heavy Duty Brass Manifold
- Solid Ceramic Plungers
- Stainless Steel Plunger Guides and Check Valves
- Replaceable PTFE Coated Body Guides
- Bronze Connecting Rods
- Heavy Duty Flat Base High Pressure Seals
- 1-1/2" BSP-F Inlet. 1" BSP-F Outlet
- 128 oz. Capacity Vented Oil Bath Crank Case
- Max Fluid Temp, 160°F

VX Series Plunger Pumps

VX Series industrial duty plunger pumps are rated at 15.9 to 152.6 GPM and pressures up to 5075 PSI.

Pumps are available in 1000 RPM models with a 14T, 12/24 DP splined hollow shaft and SAE J744B hydraulic motor flange.

Applications include sewer jetting, hydro-excavation, UHP fire fighting, mining, misting, street cleaning and vehicle wash systems.

	Model	Flow		Pressure		Plunger Dia.	Crankshaft		Power	Seal Kit	Valve Kit	Wt.
		GPM	l/min	PSI	bar		Stroke	Code				
1000 RPM	VX-B 75/280 R MI	19.8	75.0	4060	280	28mm	42.0mm	8	51.3 EBHP	6061.F1	6061.E9	128 lbs
	VX-B 100/200 R MI	25.9	98.0	2900	200	32mm	42.0mm	8	50.3 EBHP	6061.E6	6061.E9	128 lbs
	VX-B 130/160 R MI	33.0	125.0	2320	160	36mm	42.0mm	8	51.3 EBHP	6061.F1	6061.E9	128 lbs
	VX-B 160/130 R MI	41.0	157.0	1885	130	40mm	42.0mm	8	52.3 EBHP	6061.F3	6061.E9	128 lbs
	VX-B 200/100 R MI	52.6	199.0	1450	100	45mm	42.0mm	8	51.0 EBHP	6061.F8	6061.E9	128 lbs

NOTE: All pump models available with left-hand drive option. Substitute 'L' for 'R' in model number when ordering (ex. VX-B 100/200 L MI)



VX-B 160/130 R MI

MAX FLOW
MAX PRESSURE
RATED PUMP SPEED
POWER REQUIREMENT
LUBRICATION

41.0 GPM / 157.0 L/MIN
1885 PSI / 130 BAR
1000 RPM
52.3 HP ELECTRIC
128 OZ UDOR LUBE

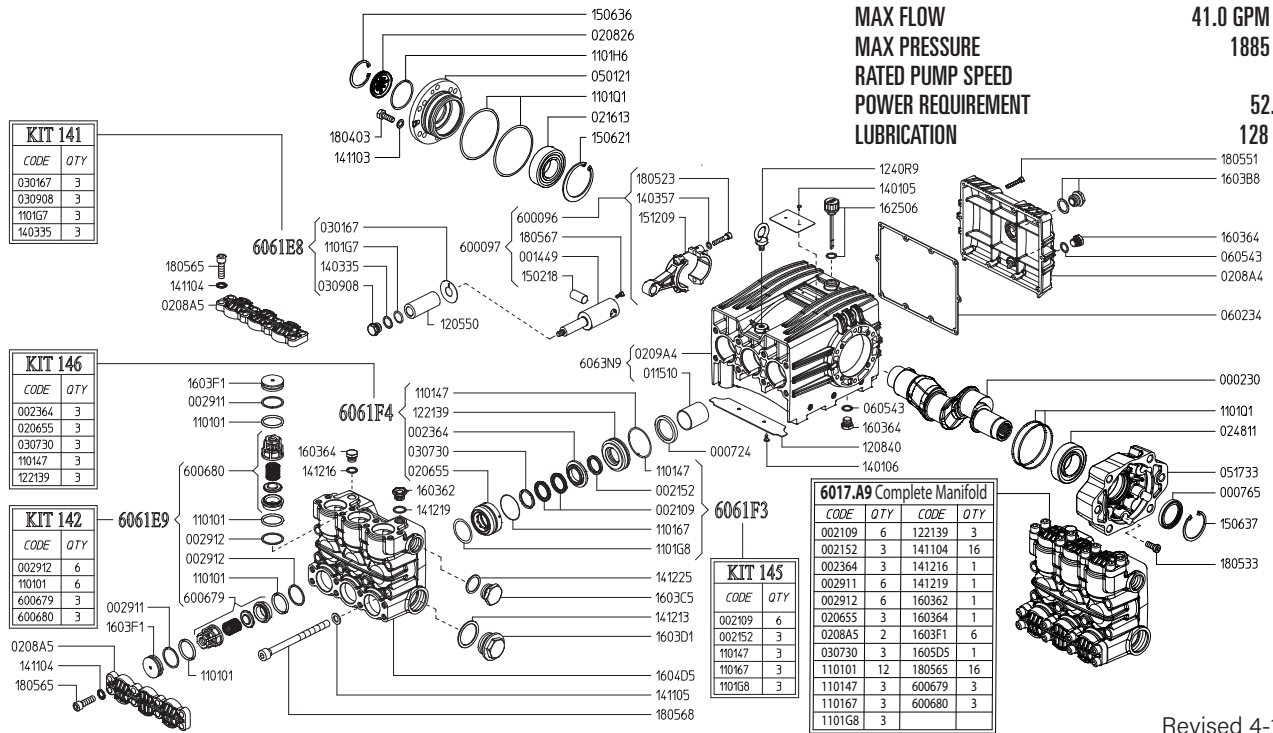
KIT 141	
CODE	QTY
030167	3
030908	3
110167	3
140335	3

KIT 146	
CODE	QTY
002364	3
020655	3
030730	3
110147	3
122139	3

KIT 142	
CODE	QTY
002912	6
110101	6
600679	3
600680	3

KIT 145	
CODE	QTY
002109	6
002152	3
110147	3
110167	3
110168	3

6017.A9 Complete Manifold			
CODE	QTY	CODE	QTY
002109	6	122139	3
002152	3	141104	16
002364	3	141216	1
002911	6	141219	1
002912	6	160362	1
020655	3	160364	1
0208A5	2	1603F1	6
030730	3	1605D5	1
110101	12	180565	16
110147	3	600679	3
110167	3	600680	3
110168	3		



Revised 4-10-2024

Part #	Description	Qty
0002.30	SHAFT	1
0007.24	OIL SEAL D40	3
0007.65	OIL SEAL D45	1
0014.49	PLUNGER GUIDE ROD D32/36/40	3
0021.09	WATER SEAL H.P. D40 ^{C E}	6
0021.52	WATER SEAL L.P. D40 BPT ^{C E}	3
0023.64	UPPER RING D40 ^{C E}	3
0029.11	PLUG RING ^E	6
0029.12	RING ^{B E}	6
0115.10	BUSHING D40	3
0206.55	SLEEVE D40 ^{D E}	3
0208.26	OIL SIGHT GLASS	1
0208.A4	BACK COVER	1
0208.A5	COVER ^E	2
0209.A4	CRANKCASE	1
0216.13	BEARING D40	1
0248.11	BEARING D45	1
0301.67	DISC D32/36/40 ^A	3
0307.30	SPACER D40 ^{D E}	3
0309.08	NUT ^A	3
0501.21	BEARING FLANGE	1
0517.33	BEARING FLANGE - MI	1
0602.34	BACK COVER GASKET	1
0605.43	GASKET D17	2
1101.01	O-RING - VALVE CAP ^E	6
1101.01	O-RING - VALVE ^{B E}	6
1101.47	O-RING - PRESSURE RING ^{C D E}	3
1101.Q1	O-RING - BEARING FLANGE	2
1101.67	O-RING - SLEEVE ^{C E}	3
1101.G7	O-RING - PLUNGER BOLT ^A	3
1101.G8	O-RING - SLEEVE, FRONT ^{C E}	3
1101.H6	O-RING - OIL SIGHT GLASS	1
1205.50	CERAMIC PLUNGER D40	3
1208.40	PLATE	1
1221.39	PRESSURE RING D40 ^{D E}	3
1240.R9	LIFTING HOOK M10	1
1401.05	RIVET 3.5X8	2
1401.06	RIVET D4X10	2
1403.35	WASHER D8.4 ^A	3
1403.57	WASHER D8.4	6
1411.03	SERATED WASHER D10	6

Part #	Description	Qty
1411.04	SERATED WASHER D12 ^E	16
1411.05	SERATED WASHER D14	8
1412.13	BONDED WASHER D48.4	1
1412.16	BONDED WASHER D17.3 ^E	1
1412.19	BONDED WASHER D21.5 ^E	1
1412.25	BONDED WASHER D33.9 (G1")	1
1502.18	PIN D20X34	3
1506.21	SNAP RING D80	1
1506.36	SNAP RING D55	1
1506.37	SNAP RING D60	1
1512.09	PLUG D5X20	6
1603.62	PLUG G1/2 ^E	1
1603.64	PLUG G3/8 - CRANKCASE	2
1603.64	PLUG G3/8 - MANIFOLD ^E	1
1603.B8	OIL PLUG G3/4 + GASKET	1
1603.C5	PLUG G1"	1
1603.D1	PLUG G1-1/2"	1
1603.F1	VALVE PLUG ^E	6
1604.D5	HEAD PISTON D32/36/40 ^E	1
1625.06	OIL PLUG G1/2	1
1804.03	HEX BOLT M10X30	6
1805.23	ALLEN BOLT M8X40	6
1805.33	ALLEN BOLT M10X35	6
1805.51	ALLEN BOLT M6X40	10
1805.65	ALLEN BOLT M12X40 ^E	16
1805.67	ALLEN BOLT M5X12	3
1805.68	ALLEN BOLT M14X130	8
6000.96	ROD ASSEMBLY BRONZE	3
6006.79	SUCTION VALVE ASSY W/O O-RING ^{B E}	3
6006.80	OUTLET VALVE ASSY W/O O-RING ^{B E}	3
6017.A9	COMPLETE MANIFOLD VX D40	1
6063.N9	CRANKCASE ASSEMBLY	1
6061.E8	PLUNGER KIT (KIT 141)	1
6061.E9	VALVE KIT (KIT 142)	1
6061.F3	WATER SEAL KIT D40 (KIT 145)	1
6061.F4	BRASS RING KIT D40 (KIT 146)	1

^A Parts in 6061.E8 (Kit 141).

^B Parts in 6061.E9 (Kit 142).

^C Parts in 6061.F3 (Kit 145).

^D Parts in 6061.F4 (Kit 146)

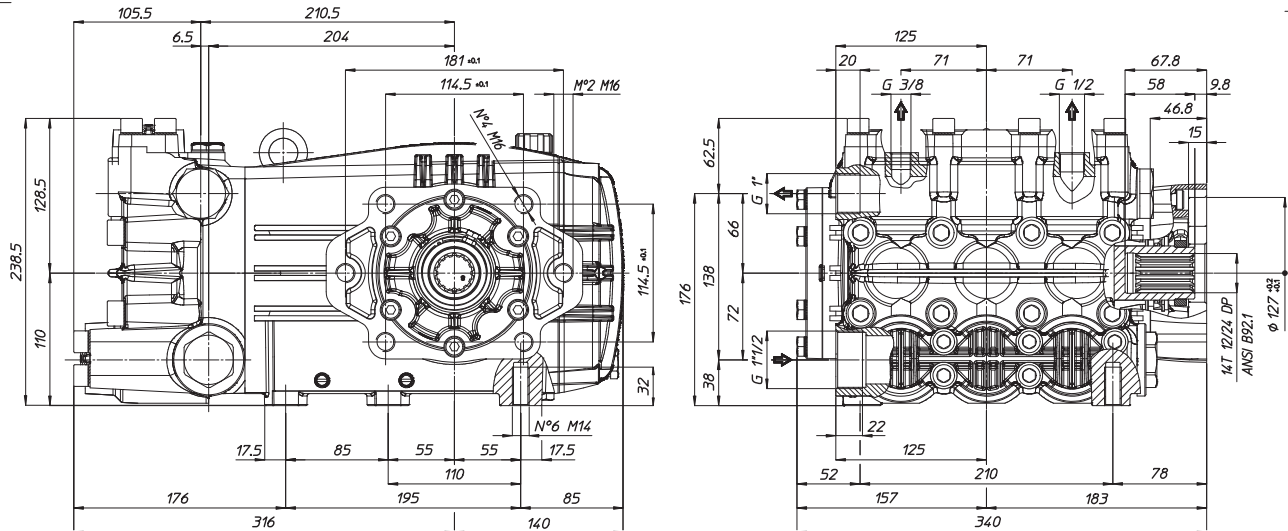
^E Parts in 6017.A9 (Complete Manifold)

WEIGHT
LUBRICATION

128 LBS
128 OZ UDOR LUBE

*Dimensional Drawings are
Shown in Millimeters.
To Convert to Inches,
Multiply Dimension x 0.03937*

VX SERIES PUMPS UP TO 3000 PSI - MI Flange



VX SERIES PUMPS OVER 3000 PSI - MI Flange

