

- Heavy Duty Brass Manifold
- Solid Ceramic Plungers
- Stainless Steel Plunger Guides and Check Valves
- Replaceable PTFE Coated Body Guides
- Bronze Connecting Rods
- Heavy Duty Flat Base High Pressure Seals
- 1-1/2" BSP-F Inlet. 1" BSP-F Outlet
- 128 oz. Capacity Vented Oil Bath Crank Case
- Max Fluid Temp, 160°F

VX Series Plunger Pumps

VX Series industrial duty plunger pumps are rated at 15.9 to 52.6 GPM and pressures up to 5075 PSI.

Pumps are available in 1000 or 1200 RPM models with a 35mm solid, keyed shaft.

Applications include sewer jetting, hydro-excavation, UHP fire fighting, mining, misting, street cleaning and vehicle wash systems.

	Model	Flow		Pressure		Plunger Dia.	Crankshaft		Power	Seal Kit	Valve Kit	Wt.
		GPM	l/min	PSI	bar		Stroke	Code				
1000 RPM	VX-B 60/350 R	15.9	60.0	5075	350	28mm	35.0mm	5	50.3 EBHP	6061.E6	6061.E9	128 lbs
	VX-B 75/280 R	19.8	75.0	4060	280	28mm	42.0mm	8	51.3 EBHP	6061.F1	6061.E9	128 lbs
	VX-B 100/200 R	25.9	98.0	2900	200	32mm	42.0mm	8	50.3 EBHP	6061.E6	6061.E9	128 lbs
	VX-B 130/160 R	33.0	125.0	2320	160	36mm	42.0mm	8	51.3 EBHP	6061.F1	6061.E9	128 lbs
	VX-B 160/130 R	41.0	157.0	1885	130	40mm	42.0mm	8	52.3 EBHP	6061.F3	6061.E9	128 lbs
	VX-B 200/100 R	52.6	199.0	1450	100	45mm	42.0mm	8	51.0 EBHP	6061.F8	6061.E9	128 lbs
1200 RPM	VX-B 95/280 R	24.8	95.0	4060	280	28mm	42.0mm	8	70.0 EBHP	6061.N2	6061.N3	128 lbs

NOTE: All pump models available with left-hand drive option. Substitute 'L' for "R" in model number when ordering (ex. VX-B 100/200 L)



MAX FLOW
MAX PRESSURE
RATED PUMP SPEED
POWER REQUIREMENT
LUBRICATION

25.9 GPM / 98.0 L/MIN
2900 PSI / 200 BAR
1000 RPM
50.3 HP ELECTRIC
128 OZ UDOR LUBE

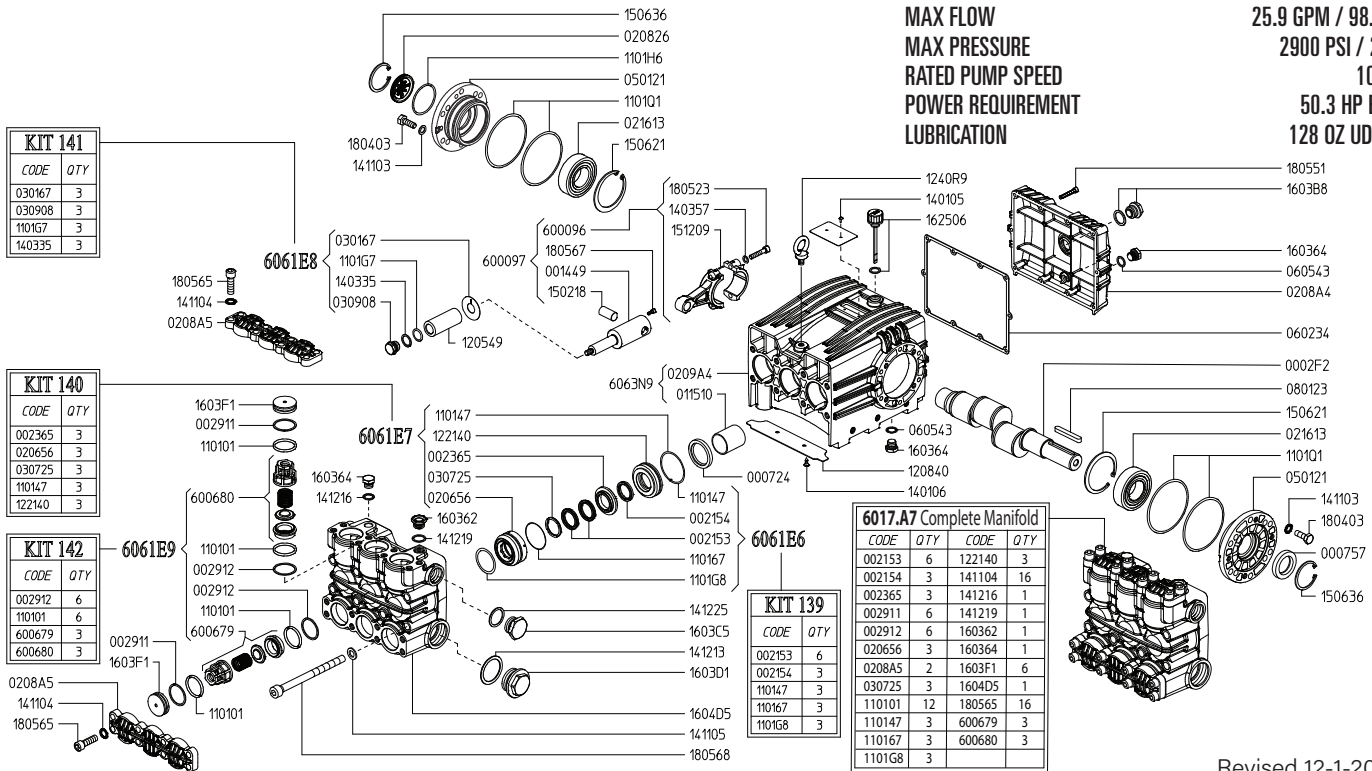
KIT 141	
CODE	QTY
030167	3
030908	3
1101G7	3
140335	3

KIT 140	
CODE	QTY
002365	3
020656	3
030725	3
110147	3
122140	3

KIT 142	
CODE	QTY
002912	6
110101	6
600679	3
600680	3

6017.A7 Complete Manifold			
CODE	QTY	CODE	QTY
002153	6	122140	3
002154	3	141104	16
002365	3	141216	1
002911	6	141219	1
002912	6	160362	1
020656	3	160364	1
0208A5	2	1603F1	6
030725	3	1604D5	1
110101	12	180565	16
110147	3	600679	3
110167	3	600680	3
1101G8	3		

KIT 139	
CODE	QTY
002153	6
002154	3
110147	3
110167	3
1101G8	3



Revised 12-1-2023

Part #	Description	Qty
0002.F2	SHAFT	1
0007.24	OIL SEAL D40	3
0007.57	OIL SEAL D40	1
0014.49	PLUNGER GUIDE ROD D32/36/40	3
0021.53	WATER SEAL H.P. D32 ^{C E}	6
0021.54	WATER SEAL L.P. D32 BPT ^{C E}	3
0023.65	UPPER RING D32 ^{C E}	3
0029.11	PLUG RING ^F	6
0029.12	RING ^{B E}	6
0115.10	BUSHING D40	3
0206.56	SLEEVE D32 ^{D E}	3
0208.26	OIL SIGHT GLASS	1
0208.A4	BACK COVER	1
0208.A5	COVER ^E	2
0209.A4	CRANKCASE	1
0216.13	BEARING D40	2
0301.67	DISC D32/36/40 ^A	3
0307.25	SPACER D32 ^{D E}	3
0309.08	NUT ^A	3
0501.21	BEARING FLANGE	2
0602.34	BACK COVER GASKET	1
0605.43	GASKET D17	2
0801.23	KEY A10X8X70	1
1101.01	O-RING - VALVE CAP ^E	3
1101.01	O-RING - VALVE ^{B E}	6
1101.47	O-RING - PRESSURE RING ^{C D E}	3
1101.67	O-RING - SLEEVE ^{C E}	3
1101.G7	O-RING - PLUNGER BOLT ^A	3
1101.G8	O-RING - SLEEVE, FRONT ^{C E}	3
1101.H6	O-RING - OIL SIGHT GLASS	1
1101.Q1	O-RING - BEARING FLANGE	4
1205.49	CERAMIC PLUNGER D32	3
1208.40	PLATE	1
1221.40	PRESSURE RING D32 ^{D E}	3
1240.R9	LIFTING HOOK M10	1
1401.05	RIVET 3.5X8	2
1401.06	RIVET D4X10	2
1403.35	WASHER D8.4 ^A	3
1403.57	WASHER D8.4	6
1411.03	SERATED WASHER D10	12

Part #	Description	Qty
1411.04	SERATED WASHER D12 ^E	16
1411.05	SERATED WASHER D14	8
1412.13	BONDED WASHER D48.4	1
1412.16	BONDED WASHER D17.3 ^E	1
1412.19	BONDED WASHER D21.5 ^E	1
1412.25	BONDED WASHER D33.9 (G1")	1
1502.18	PIN D20X34	3
1506.21	SNAP RING D80	2
1506.36	SNAP RING D55	2
1512.09	PLUG D5X20	6
1603.62	PLUG G1/2	1
1603.64	PLUG G3/8 - MANIFOLD ^E	1
1603.64	PLUG G3/8 - CRANKCASE	2
1603.B8	OIL PLUG G3/4 + GASKET	1
1603.C5	PLUG G1"	1
1603.D1	PLUG G1-1/2"	1
1603.F1	VALVE PLUG ^E	6
1604.D5	HEAD PISTON D32/36/40 ^E	1
1625.06	OIL PLUG G1/2	1
1804.03	HEX BOLT M10X30	12
1805.23	ALLEN BOLT M8X40	6
1805.51	ALLEN BOLT M6X40	10
1805.65	ALLEN BOLT M12X40 ^E	16
1805.67	ALLEN BOLT M5X12	3
1805.68	ALLEN BOLT M14X130	8
6000.96	ROD ASSY "VX/VH/VY" BRONZE	3
6006.79	SUCTION VALVE ASSY W/O O-RING ^{B E}	3
6006.80	OUTLET VALVE ASSY W/O O-RING ^{B E}	3
6017.A7	COMPLETE MANIFOLD VX D32	1
6063.N9	CRANKCASE ASSEMBLY	1
6061.E6	WATER SEAL KIT D32 (KIT 139)	1
6061.E7	BRASS RING KIT D32 (KIT 140)	1
6061.E8	PLUNGER KIT (KIT 141)	1
6061.E9	VALVE KIT (KIT 142)	1

^A Parts in 6061.E8 (Kit 141).

^B Parts in 6061.E9 (Kit 142).

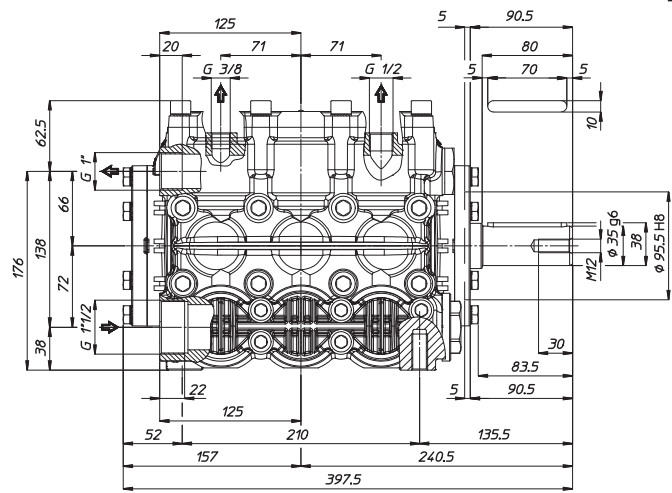
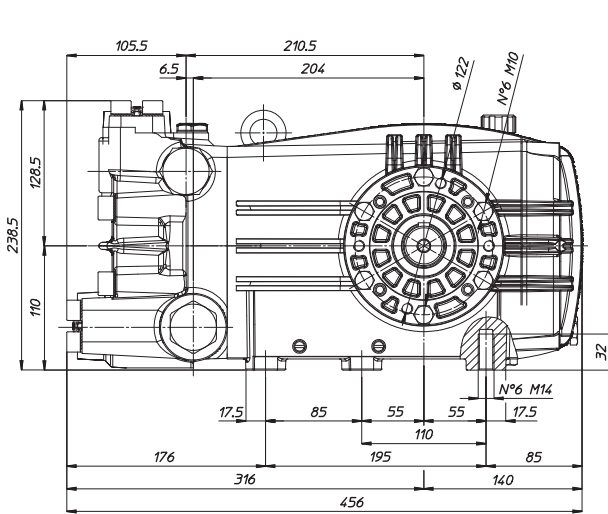
^C Parts in 6061.E6 (Kit 139).

^D Parts in 6061.E7 (Kit 140).

^E Parts in 6017.A7 (Complete Manifold)

*Dimensional Drawings are
Shown in Millimeters.
To Convert to Inches,
Multiply Dimension x 0.03937*

VX SERIES PUMPS UP TO 3000 PSI



TORQUE SPECS

Ref.	Description	Ft./lb.	Nm	Loctite®
1	Head Bolts	103	140	-
2	Valve Caps	-	-	-
3	Inlet Cap	147	200	-
4	Outlet Cap	133	180	243
5	Bearing Flange Bolts	30	57	-
6	Rear Cover Bolts	8	11	-
7	Connecting Rod Bolts	19	25	243
8	Plunger Bolts	30	40	243
9	Valve Cover Bolts	66	90	-
10	Oil Drain Plug	8	11	-

