

- Anodized Aluminum Crank Case
- Nickel-Plated Manifold
- Stainless Steel Check Valves
- Heavy Duty Bronze Connecting Rods
- Heavy Duty Roller Bearings
- 1-1/2" BSP-F Inlet. 1" BSP-F Outlet
- 65 oz. Oil Capacity
- Max Fluid Temp, 160°F

VX6 Series Plunger Pumps

VX6 Series industrial duty plunger pumps are rated at 68.7 to 108.8 GPM and pressures up to 870 PSI.

Pumps are available in 800 RPM models with a 35 mm solid shaft x 1-3/8" 6 spline PTO thru shaft

Applications include sewer jetting, hydro-excavation, fire fighting, street cleaning and vehicle wash systems.

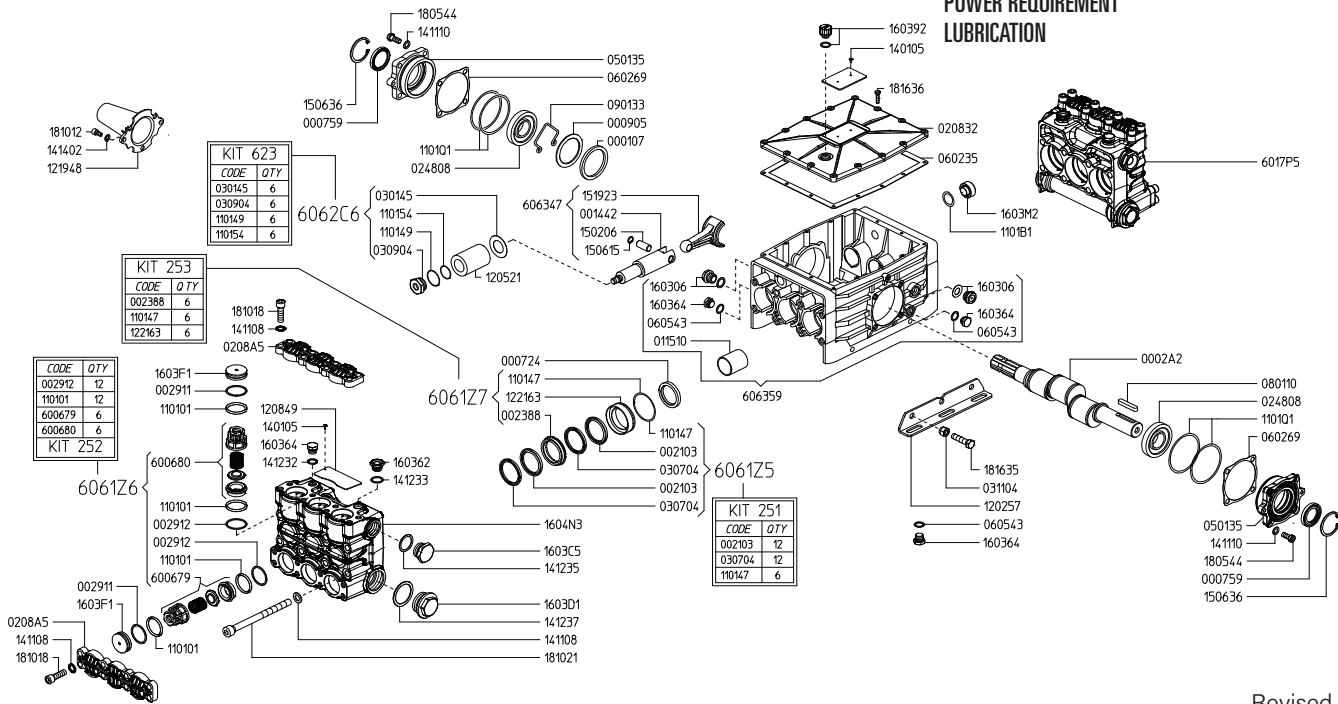
	Model	Flow		Pressure		Plunger Dia.	Crankshaft		Power	Seal Kit	Valve Kit	Wt.
		GPM	l/min	PSI	bar		Stroke	Code				
800 RPM	VX6-A 260/60 TS 1C	68.7	260.0	870	60	55mm	24.0mm	N	42.0 EBHP	6061.Z5	6061.Z6	198 lbs
	VX6-A 330/50 TS 1C	87.0	329.3	725	50	55mm	30.4mm	L	44.3 EBHP	6061.Z5	6061.Z6	198 lbs
	VX6-A 410/40 TS 1C	108.8	411.7	580	40	55mm	38.0mm	V	44.3 EBHP	6061.Z5	6061.Z6	198 lbs



VX6-A 410/40 TS 1C

MAX FLOW
MAX PRESSURE
RATED PUMP SPEED
POWER REQUIREMENT
LUBRICATION

108.8 GPM / 411.7 L/MIN
580 PSI / 40 BAR
800 RPM
44.3 HP ELECTRIC
65 OZ UDOR LUBE



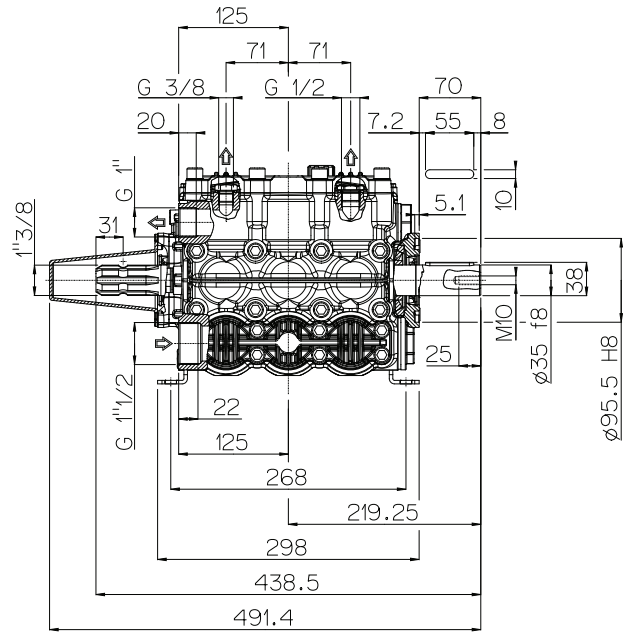
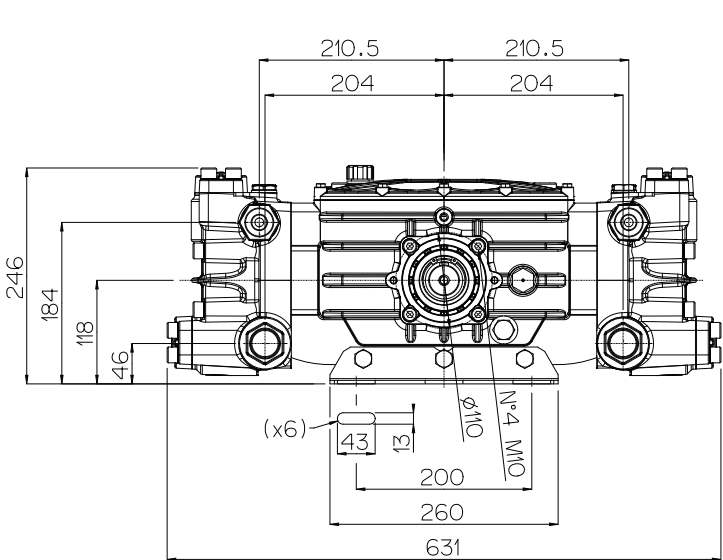
Revised 12-5-2023

Part #	Description	Qty	Part #	Description	Qty
0001.07	RETAINER RING	1	1411.10	WASHER	8
0002.A2	SHAFT - TS1C	1	1412.13	BONDED WASHER D48.4	2
0007.24	OIL SEAL D40	6	1412.16	BONDED WASHER D17.3	2
0007.59	OIL SEAL D35	2	1412.19	BONDED WASHER D21.5	2
0009.05	RING	1	1412.25	BONDED WASHER D33.9 (G1")	2
0014.42	PLUNGER GUIDE	6	1414.02	WASHER	3
0021.03	PISTON SEAL RING D55 ^A	12	1502.06	PIN D15X32,3	6
0023.88	UPPER RING D55 ^C	6	1506.15	SNAP RING D15	6
0029.11	PLUG RING	12	1506.36	SNAP RING D55	2
0029.12	RING ^B	12	1519.23	CONNECTING ROD	6
0115.10	BUSHING D40	6	1603.06	OIL PLUG G1/2 + GASKET	2
0208.32	BODY COVER	1	1603.62	PLUG G1/2	2
0208.A5	VALVE COVER	4	1603.64	PLUG G3/8	5
0209.24	CRANKCASE	1	1603.92	OIL PLUG G1/2	1
0248.01	BEARING	2	1603.C5	PLUG G1"	2
0301.45	DISC ^D	6	1603.D1	PLUG G1-1/2"	2
0307.04	SPACER RING D55 ^A	12	1603.F1	VALVE PLUG	12
0309.04	NUT ^D	6	1603.M2	BODY PLLUG	2
0311.04	LOCK NUT	6	1604.N3	HEAD	2
0501.35	BEARING FLANGE	2	1805.44	ALLEN BOLT	8
0602.35	BODY COVER GASKET	1	1810.12	ALLEN BOLT	3
0602.69	GASKET - BEARING FLANGE	2	1810.18	ALLEN BOLT	32
0605.43	GASKET D17	3	1810.21	ALLEN BOLT	16
0801.10	KEY A10X8X55	1	1816.35	HEX BOLT	6
0901.33	SPRING CLIP	1	1816.36	HEX BOLT	12
1101.01	O-RING - VALVE ^B	12	6006.79	SUCTION VALVE ASSY W/O O-RING ^B	6
1101.01	O-RING - VALVE CAP	12	6006.80	OUTLET VALVE ASSY W/O O-RING ^B	6
1101.47	O-RING - PRESSURE RING ^{A D}	6	6017.P5	COMPLETE MANIFOLD ASSEMBLY	2
1101.49	O-RING - PLUNGER BOLT, OUTER ^D	6	6063.47	COMPLETE ROD ASSEMBLY	6
1101.54	O-RING - PLUNGER BOLT, INNER ^D	6	6063.U7	CRANKCASE ASSEMBLY	1
1101.B1	O-RING - BODY PLUG	2	6061.Z5	WATER SEAL KIT (KIT 251)	1
1101.Q1	O-RING - BEARING FLANGE	4	6061.Z6	VALVE KIT (KIT 252)	1
1202.57	BASE PLATE	2	6061.Z7	BRASS RING KIT (KIT 253)	1
1205.21	CERAMIC PLUNGER D55	6	6062.C6	PLUNGER KIT (KIT 623)	1
1208.49	PLATE	2			
1219.15	SHAFT PROTECTOR	1			
1221.63	PRESSURE RING D55 ^C	6			
1401.05	RIVET 3.5X8	6			
1411.08	WASHER	48			

^A Parts in 6061.Z5 (Kit 251).
^B Parts in 6061.Z6 (Kit 252).
^C Parts in 6061.Z7 (Kit 253).
^D Parts in 6062.C6 (Kit 623).

*Dimensional Drawings are
Shown in Millimeters.
To Convert to Inches,
Multiply Dimension x 0.03937*

VX6 SERIES PUMPS - 35mm Solid x 1-3/8" 6-Spline Male PTO Thru Shaft



TORQUE SPECS

Ref.	Description	Ft./lb.	Nm	Loctite®
1	Head Bolts	103	140	-
2	Valve Caps	-	-	-
3	Inlet Cap	147	200	-
4	Outlet Cap	133	180	243
5	Bearing Flange Bolts	30	57	-
6	Rear Cover Bolts	8	11	-
7	Connecting Rod Bolts	19	25	243
8	Plunger Bolts	30	40	243
9	Valve Cover Bolts	66	90	-
10	Oil Drain Plug	8	11	-

