

- Stainless Steel Manifold
- Solid Ceramic Plungers
- Stainless Steel Check Valves
- Heavy Duty Bronze Connecting Rods
- Heavy Duty Roller Bearings
- 1" BSP-F Inlet. 1/2" BSP-F Outlet
- 128 oz. Oil Capacity
- Max Fluid Temp, 160°F

VH Series Plunger Pumps

VH Series industrial duty plunger pumps are rated at 10.6 GPM and pressures up to 8700 PSI.

Pumps are available in 1000 RPM models with a 35mm solid, keyed shaft.

Applications include pressure washing, demolition and oil field industries..

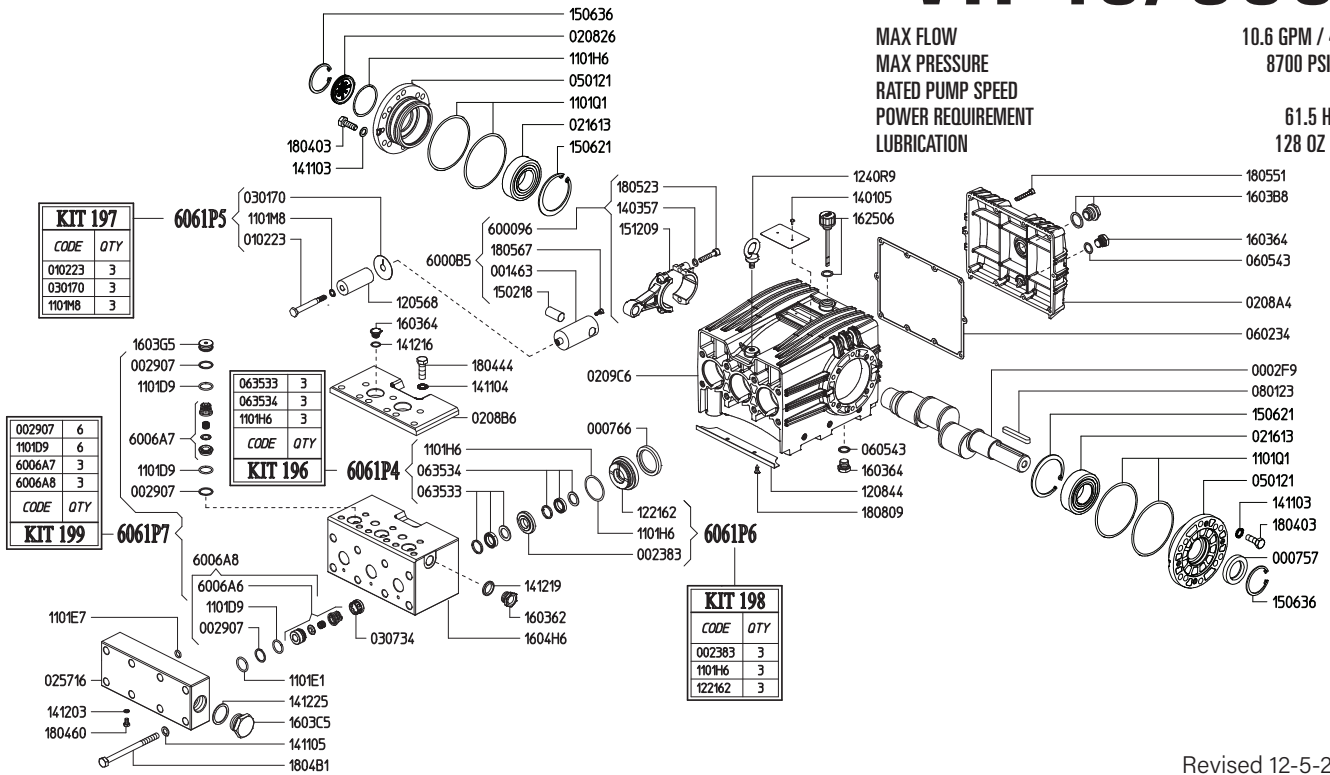
	Model	Flow		Pressure		Plunger Dia.	Crankshaft		Power	Seal Kit	Valve Kit	Wt.
		GPM	l/min	PSI	bar		Stroke	Code				
1000 RPM	VH-B 40/600 R	10.6	40	8700	600	20mm	45.0mm	2	61.5 EBHP	6061.P4	6061.P7	145 lbs

NOTE: All pump models available with left-hand drive option. Substitute 'L' for 'R' in model number when ordering (ex. VH-B 40/600 L)



MAX FLOW
MAX PRESSURE
RATED PUMP SPEED
POWER REQUIREMENT
LUBRICATION

10.6 GPM / 40.0 L/MIN
8700 PSI / 600 BAR
1000 RPM
61.5 HP ELECTRIC
128 OZ UDOR LUBE



Revised 12-5-2023

Part #	Description	Qty	Part #	Description	Qty
0002.F9	SHAFT	1	1411.02	SERATED WASHER D8	6
0007.57	OIL SEAL D40	1	1411.03	SERATED WASHER D10	12
0007.66	OIL SEAL D42	3	1411.04	SERATED WASHER D12	9
0014.63	PLUNGER GUIDE D20	3	1411.05	SERATED WASHER D14	8
0023.83	UPPER RING D20 ^C	3	1412.03	BONDED WASHER D6.7	1
0029.07	PLUG RING ^D	6	1412.16	BONDED WASHER D17.3	2
0029.07	PLUG RING (Part of 6006.A8) ^D	3	1412.25	BONDED WASHER D33.9 (G1")	1
0102.23	PLUNGER BOLT ^B	3	1502.18	PIN D20X34	3
0208.26	OIL SIGHT GLASS	1	1506.21	SNAP RING D80	2
0208.A4	BACK COVER	1	1506.36	SNAP RING D55	2
0208.B6	COVER	1	1512.09	PLUG D5X20	6
0209.C6	CRANKCASE	1	1603.64	PLUG G3/8	4
0216.13	BEARING D40	2	1603.B8	OIL PLUG G3/4 + GASKET	1
0257.16	SUCTION MANIFOLD	1	1603.C5	PLUG G1"	1
0301.70	DISC ^B	3	1603.G5	PLUG	3
0501.21	BEARING FLANGE	2	1625.06	OIL PLUG G1/2	1
0602.34	BACK COVER GASKET	1	1804.03	HEX BOLT M10X30	12
0605.43	GASKET D17	2	1804.44	HEX BOLT M12X35	9
0635.33	HIGH PRESSURE SEAL KIT D20 ^A	3	1804.60	HEX BOLT M6X10	1
0635.34	LOW PRESSURE SEAL KIT D20 ^A	3	1804.B1	HEX BOLT M14X200	8
0801.23	KEY A10X8X70	1	1805.23	ALLEN BOLT M8X40	6
1101.D9	O-RING - VALVE ^D	6	1805.51	ALLEN BOLT M6X40	10
1101.D9	O-RING - VALVE (Part of 6006.A8) ^D	3	1805.67	ALLEN BOLT M5X12	3
1101.E1	O-RING - SPLIT MANIFOLD VALVE	3	1808.09	SELF-THREADING SCREW D5.5X13	2
1101.E7	O-RING - SPLIT MANIFOLD BOLT	8	6000.96	ROD ASSEMBLY BRONZE	3
1101.H6	O-RING - PRESSURE RING ^{A C}	3	6006.A6	SUCTION VALVE ASSY W/O O-RING (Part of 6006.A8) ^D	3
1101.H6	O-RING - OIL SIGHT GLASS	1	6006.A7	OUTLET VALVE ASSY W/O O-RING ^D	3
1101.M8	O-RING - PLUNGERT BOLT ^B	3	6006.A8	SUCTION VALVE ASSEMBLY ^D	3
1101.Q1	O-RING - BEARING FLANGE	4	6061.P4	WATER SEAL KIT (KIT 196)	1
1205.68	CERAMIC PLUNGER D20	3	6061.P5	PLUNGER KIT (KIT 197)	1
1208.44	PLATE	1	6061.P6	BRASS RING KIT (KIT 198)	1
1221.62	PRESSURE RING D20 ^C	3	6061.P7	VALVE KIT (KIT 199)	1
1240.R9	LIFTING HOOK M10	1			
1401.05	RIVET 3.5X8	2			
1403.57	WASHER D8.4	6			

^A Parts in 6061.P4 (Kit 196).

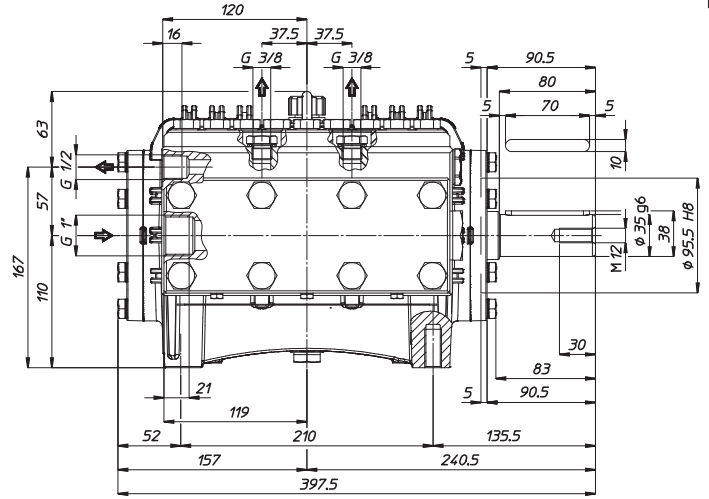
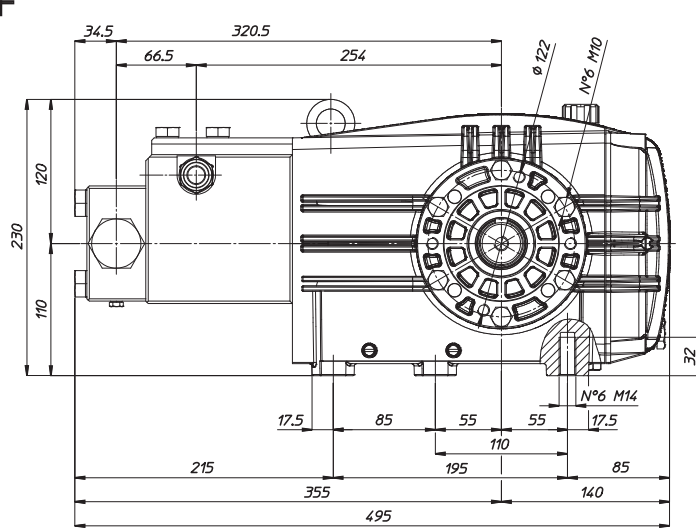
^B Parts in 6061.P5 (Kit 197).

^C Parts in 6061.P6 (Kit 198).

^D Parts in 6061.P7 (Kit 199).

*Dimensional Drawings are
Shown in Millimeters.
To Convert to Inches,
Multiply Dimension x 0.03937*

VH SERIES PUMPS - 35mm SOLID SHAFT



TORQUE SPECS

Ref.	Description	Ft./lb.	Nm	Loctite®
1	Head Bolts	103	140	-
2	Valve Caps	-	-	-
3	Inlet Cap	147	200	-
4	Outlet Cap	133	180	243
5	Bearing Flange Bolts	37	50	-
6	Rear Cover Bolts	8	11	-
7	Connecting Rod Bolts	19	25	243
8	Plunger Bolts	30	40	243
9	Valve Cover Bolts	66	90	-
10	Oil Drain Plug	8	11	-

