



UD-1-1/4 / UD-1-1/2

Polypropylene Inline Strainer

For Diaphragm Pumps, Use 16 Mesh Screens

UD-1-1/4-16

UD-1-1/2-16

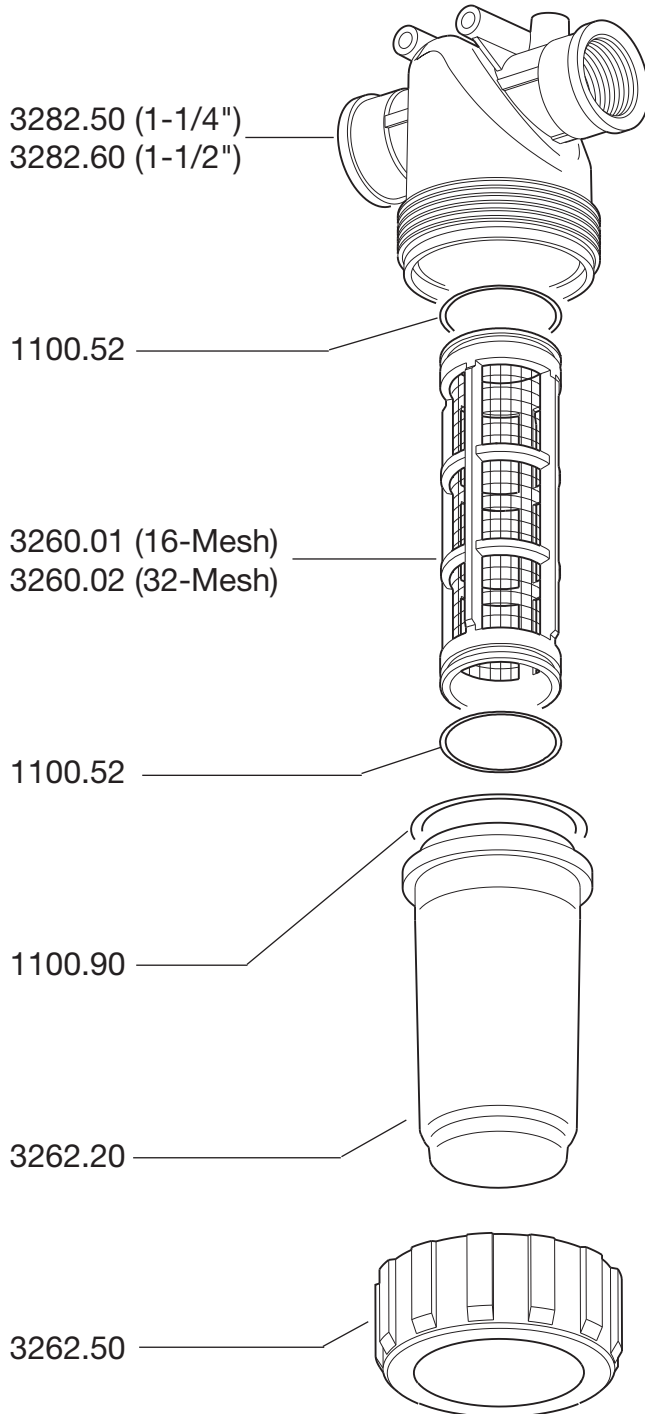
For Plunger Pumps, Use 32 Mesh Screens

UD-1-1/4-32

UD-1-1/2-32

Maximum Flow	10.0 GPM / 37.9 lpm
Maximum Pressure	220 PSI / 15 bar
Inlet Port	1-1/4" or 1-1/2" FNPT
Outlet Port	1-1/4" or 1-1/2" FNPT

Revised 6-6-2023



Part #	Description	Qty
1100.52	O-RING	2
1100.90	O-RING	1
3260.01	SCREEN, 16-MESH	1
3260.02	SCREEN, 32-MESH	1
3262.20	BOWL	1
3262.50	NUT	1
3282.50	STRAINER HEAD, 1-1/4"	1
3282.60	STRAINER HEAD, 1-1/2"	1