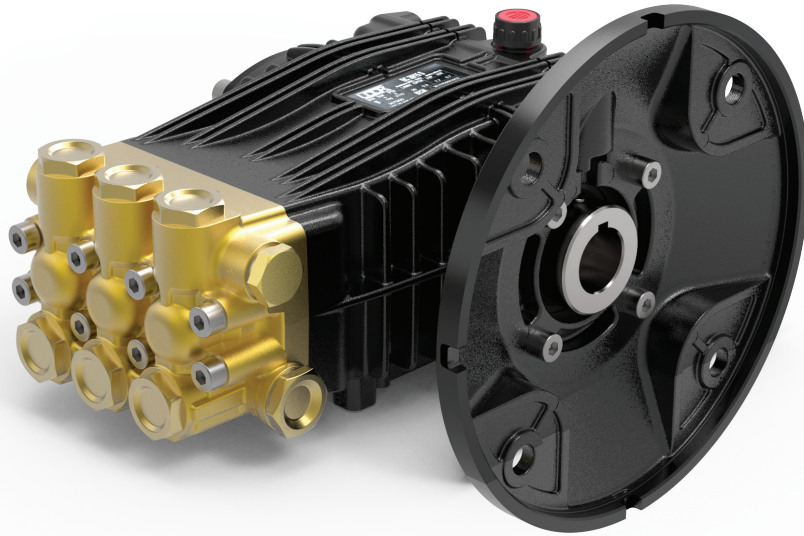




Tool Coolant Pump TCB SERIES

1-1/8" Hollow Shaft with 182/184 Mounting Flange and Set Screw 1750 RPM



- Brass Manifolds
- Industrial Quality Tapered Roller Bearings
- PTFE Packings
- Solid Ceramic Plungers
- Stainless Steel Check Valves
- Heated Treated Crank Shafts
- Stainless Steel Piston Guides
- Replaceable PTFE Body Guides

TCB Series 24mm Keyed Solid Shaft Plunger Pumps

TCB Series Tool Coolant plunger pumps are designed to withstand the wear and tear of the tool coolant industry. Pumps feature PTFE seals for increased durability in harsh conditions

TCB Series pumps are also available with a 24mm solid, keyed shaft.

	Model	GPM	l/min	PSI	bar	Power Req.	Seal Kit	Valve Kit	Wt.
1750 RPM	TCB 5.0/25 U	5.0	19	2500	170	7.5 EBHP	6061.C4 (Kit 120)	6061.02 (Kit 2)	23 lbs

NOTE: All pump models available with left-hand drive option. Add 'L' to model number when ordering (ex. TCB 5.0/25 UL)



6180 140th Avenue NW
Ramsey, MN 55303

Ph: 651-785-0666
Fax: 800-732-2670

www.udorusa.com
www.boominator.com
info@udorusa.com

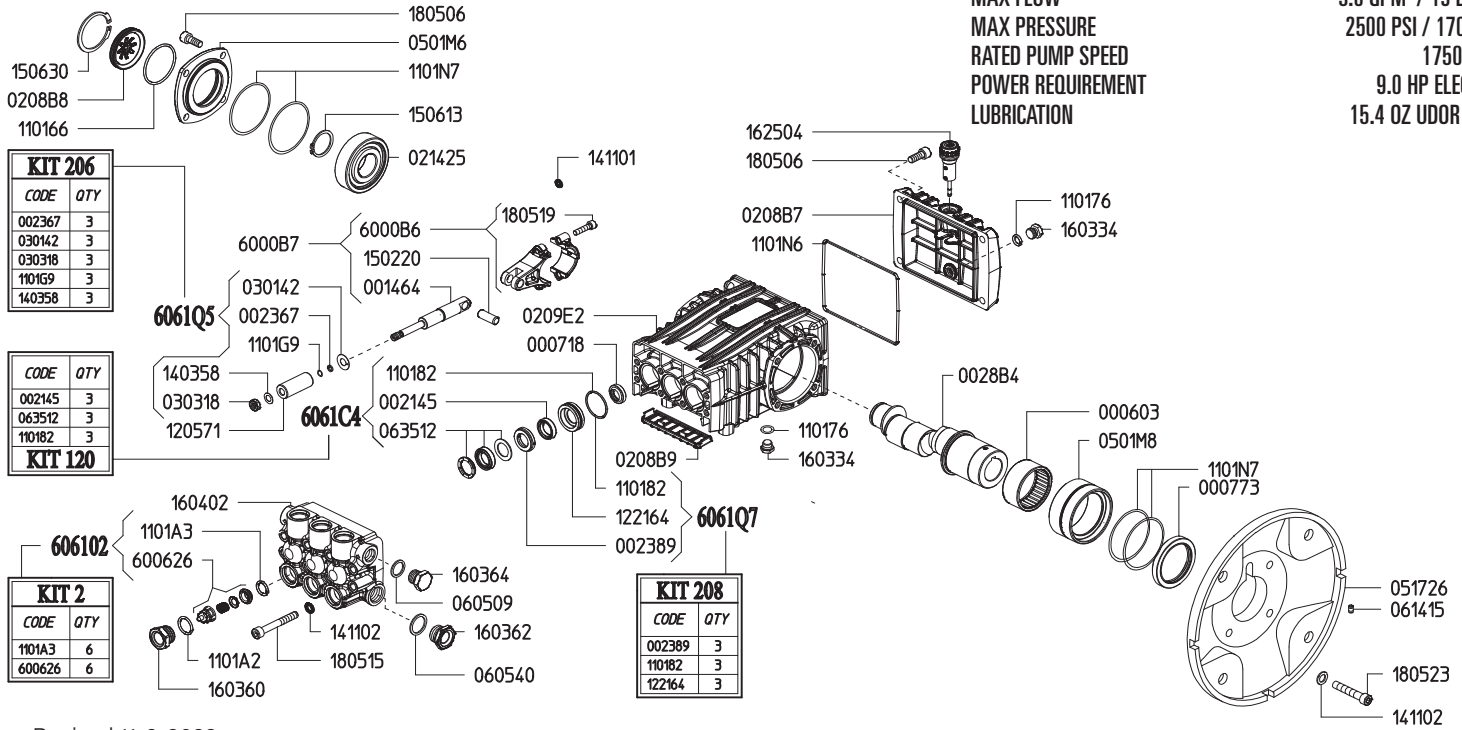


Scan this QR Code
for More Information

TCB-U
2024A

MAX FLOW
MAX PRESSURE
RATED PUMP SPEED
POWER REQUIREMENT
LUBRICATION

5.0 GPM / 19 L/MIN
2500 PSI / 170 BAR
1750 RPM
9.0 HP ELECTRIC
15.4 OZ UDOR LUBE



Revised 11-9-2023

Part #	Description	Qty
0006.03	BUSHING D50	1
0007.18	OIL SEAL D15X24X5	3
0007.73	OIL SEAL D50	1
0014.64	PLUNGER GUIDE "B/BK"	3
0021.45	WATER SEAL LP PTFE D18 ^B	3
0023.67	RING D5.2X8X1.3 ^C	3
0023.89	UPPER RING D18 "B/BK" ^D	3
0028.B4	HOLLOW SHAFT "B/BK" D1-1/8"	1
0208.B7	BACK COVER "B/BK"	1
0208.B8	COVER "B/BK"	1
0208.B9	COVER "B/BK"	1
0209.E2	CRANKCASE "B-X/BK-X"	1
0214.25	BALL BEARING D30	1
0301.42	DISC ^C	3
0303.18	NUT M8XH5 ^C	3
0501.M6	BEARING FLANGE "B/BK"	1
0501.M8	BEARING FLANGE "B/BK"	1
0517.26	MOTOR FLANGE "B/BK" NEMA 182/184	1
0605.09	GASKET D17X23X1.5	1
0605.40	GASKET D21.5X27X1.5	1
0614.15	SET SCREW M5X8 UNI5929	1
0635.12	HIGH PRESSURE SEAL KIT D18 ^B	3
1101.66	O-RING D44.12 (RIF.3175)	3
1101.76	O-RING D9.13 (RIF.109)	1
1101.82	O-RING D31.47X1.78 (RIF 2125) ^{B D}	2
1101.A2	O-RING D17.86 (RIF.123)	6
1101.A3	O-RING D13.9X2.62 (RIF 3056) ^A	6
1101.G9	O-RING D4.48 (RIF 2018) ^C	3
1101.N6	O-RING D126.67 (RIF 3500)	1

Part #	Description	Qty
1101.N7	O-RING D68	4
1205.71	CERAMIC PLUNGER D18 "B/BK"	3
1221.64	PRESSURE RING D18 "B/BK" ^D	3
1403.58	WASHER D8 ^C	3
1411.01	SCHNOOR WASHER D6	6
1411.02	SCHNOOR WASHER D8	12
1502.20	PIN D10X27	3
1506.13	SNAP RING D30	1
1506.30	SNAP RING D52	1
1603.34	PLUG G1/4	2
1603.60	VALVE PLUG D15/18/20 ^E	6
1603.62	PLUG G1/2	1
1603.64	PLUG G3/8	1
1604.02	HEAD "B-X"	1
1625.04	OIL PLUG G3/8	1
1805.06	ALLEN BOLT M8X20	8
1805.15	ALLEN BOLT M8X60	8
1805.19	ALLEN BOLT M8X25	6
1805.23	ALLEN BOLT M8X40	4
6000.B6	ROD ASSY "B/BK"	3
6006.26	VALVE ASSY WITHOUT O-RING ^A	6
6061.02	KIT 2 - VALVE KIT "PK/M/B"	1
6061.C4	KIT 120 - WATER SEAL KIT PTFE	1
6061.Q5	KIT 206 - PLUNGER KIT D15/18 "B/BK"	1
6061.Q7	KIT 208 - BRASS RING KIT D18 "B/BK"	1

^A Parts in 6061.02 (Kit 2).

^B Parts in 6061.C4 (Kit 120).

^C Parts in 6061.Q5 (Kit 206).

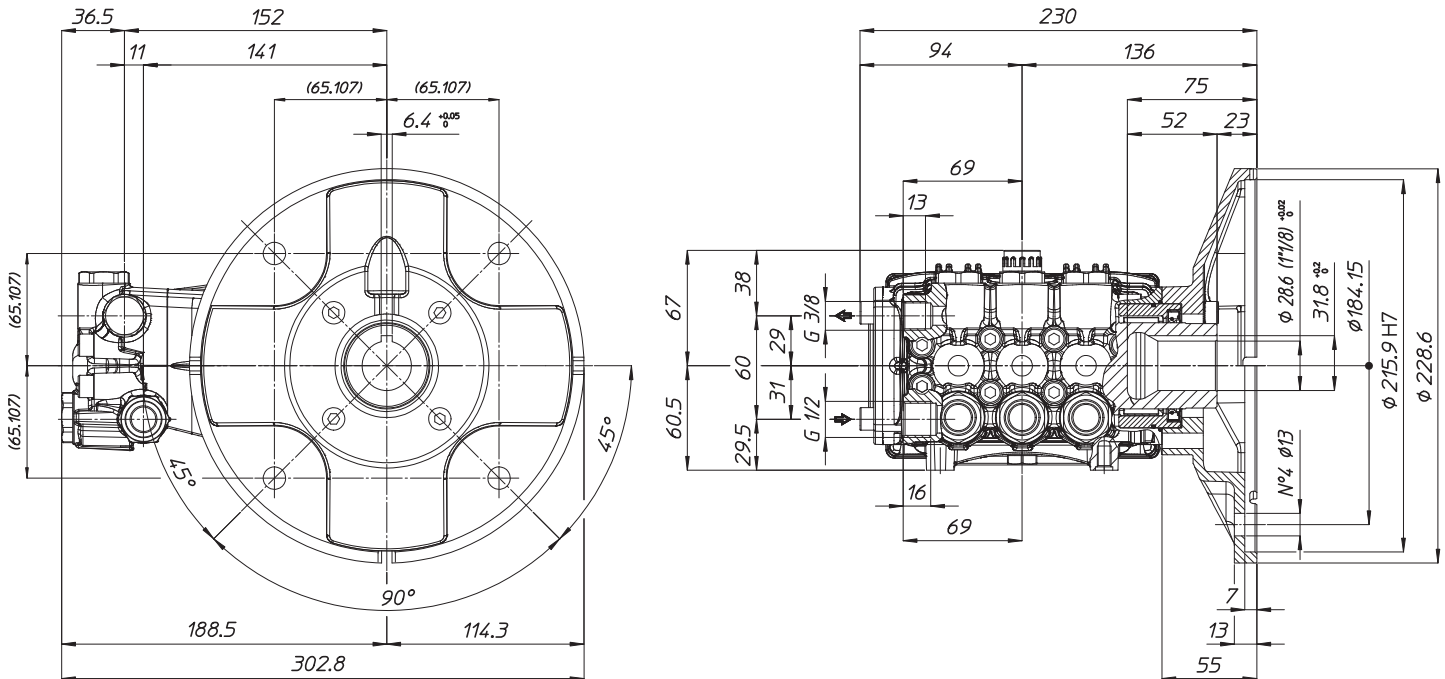
^D Parts in 6061.Q7 (Kit 208).

WEIGHT
LUBRICATION

23 LBS
15.4 OZ UDOR LUBE

*Dimensional Drawings are
Shown in Millimeters.
To Convert to Inches,
Multiply Dimension x 0.03937*

TCB SERIES PUMPS - 1-1/8" HOLLOW SHAFT w/ 182/184 FLANGE



TORQUE SPECS

Ref.	Description	Ft./lb.	Nm	Loctite®
1	Head Bolts	19	25	-
2	Valve Caps	75	100	243
3	Inlet Cap	75	100	243
4	Outlet Cap	60	80	243
5	Bearing Flange Bolts	19	25	-
6	Rear Cover Bolts	19	25	-
7	Connecting Rod Bolts	9	11	243
8	Plunger Bolts	11	15	270
9	Valve Cover Bolts	-	-	-
10	Oil Drain Plug	19	25	-

