



OMEGA 195

4-Cylinder, High-Pressure Diaphragm Pumps with 4900.10 - VRG 260 Regulator



OMEGA 195 4-cylinder, high pressure, high volume diaphragm pumps are constructed of anodized aluminum, brass and stainless steel and have anodized aluminum, brass and stainless steel liquid handling parts. Includes mounting rails and 6005.08 control unit with pressure gauge. Simplicity of design and common parts allow for easy and economical maintenance.

OMEGA 195 pumps are excellent choices for various horticultural and agricultural spraying applications.

Pumps are available with a 1-3/8" Male PTO thru-shaft.

Model	GPM	l/min	PSI	bar	RPM	Drive Configuration	Weight
OMEGA 195 TS2C	51.0	193.0	725	50	550	1-3/8" 6-Spline Male PTO Thru-Shaft	120 LBS

Specifications	OMEGA 195	Description	Part #
Inlet Port	2" Hose Barb	Diaphragm Kit (GREENTECH)	8700.07
Outlet Ports	(2) 1/2" Hose Barb Valve, 3/4" FPT	Diaphragm Bolt / Washer Kit	6640.03
Bypass	1" Hose Barb	Valve Kit	6062.E1
Piston Diameter	75mm		
Crankshaft Stroke/Code	19.0mm / U		
Dimensions	17.4"L x 15.5"W x 17.2"H		

Lubrication: Requires 91 oz. of Udor Lube 40W Premium Pump Oil.
Alternate Oil: 30W non-detergent or 15W-40 non-detergent oil.



**World Leader in
Diaphragm and Plunger Pumps**

6180 140th Avenue NW
Ramsey, MN 55303

Ph: 651-785-0666
Fax: 800-732-2670

www.udorusa.com
sales@udorusa.com



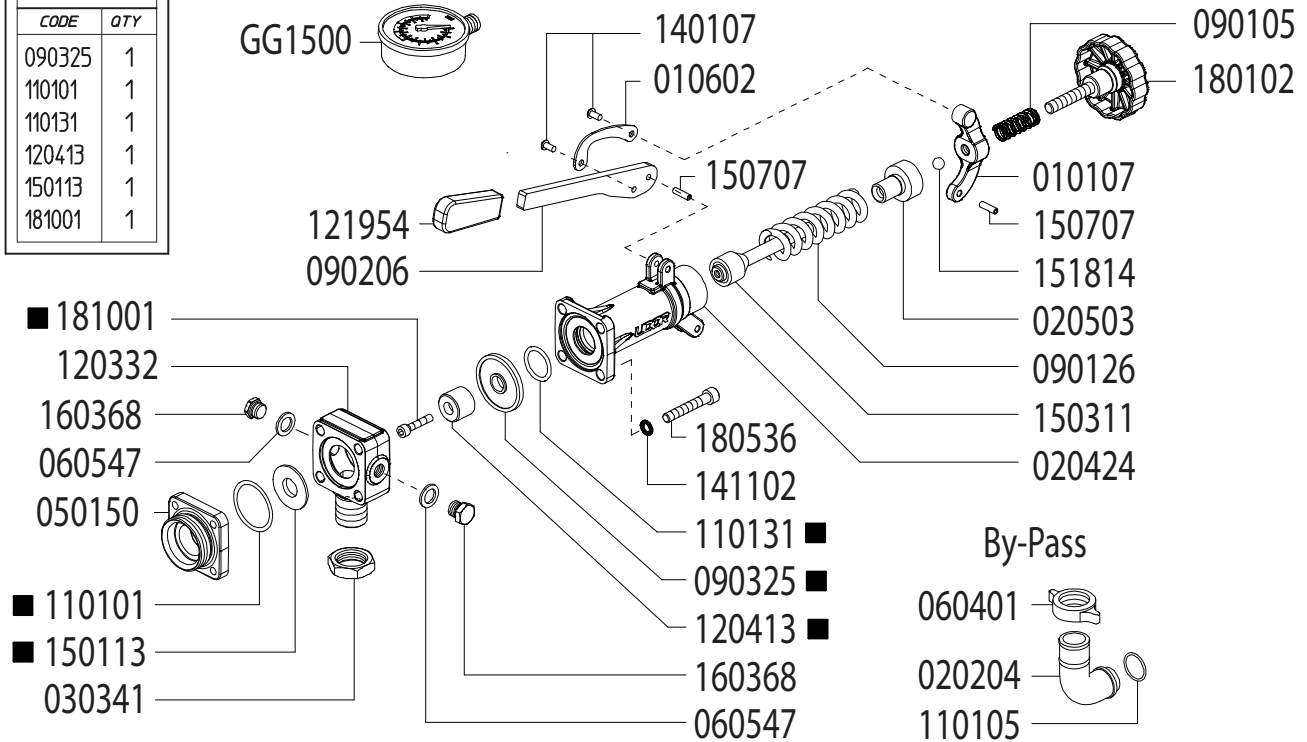
Scan this QR Code
for More Information

**0195
2026A**

Adjustable Pressure Regulator

Maximum Flow	66.0 GPM / 250 lpm
Maximum Pressure	1470 PSI /100 bar
Inlet Port	3/4" Male BSP
Outlet Ports	-
Bypass - Hose Barb	1-1/2" HB

606254	
KIT 553	
■	
<i>CODE</i>	<i>QTY</i>
090325	1
110101	1
110131	1
120413	1
150113	1
181001	1



Revised 10-9-2025

Part #	Description	Qty
0101.07	LEVER GUIDE	1
0106.02	PRESSURE BAIL	1
0202.84	1-1/2" BRASS ELBOW HOSE BARB	1
0204.24	VALVE BODY	1
0205.03	VALVE CYLINDER	1
0303.41	NUT	1
0501.50	FLANGE	1
0604.01	BARB NUT	1
0605.47	GASKET D8	1
0901.05	SPRING	1
0901.26	SPRING	1
0902.06	HANDLE	1
0903.25	DIAPHRAGM	1
1101.01	O-RING - BYPASS FLANGE	1
1101.31	O-RING - VALVE BODY	1
1101.77	O-RING - BYPASS HOSE BARB	1
1203.32	INLET ELBOW - 3/4" MALE BSP	1

Part #	Description	Qty
1204.13	POPPET	1
1219.54	HANDLE COVER - RUBBER	1
1401.07	RIVET	2
1411.02	WASHER	4
1501.13	SEAT	1
1503.11	REGULATOR STEM	1
1507.07	PIN	2
1518.14	BALL	1
1603.68	PLUG - 1/4" BRASS	1
1801.02	ADJUSTMENT KNOB	1
1805.36	BOLT	4
1810.01	BOLT - STAINLESS STEEL	1
GG1500	HIGH PRESSURE GAUGE (OPTIONAL)	1
6062.54	REPAIR KIT (KIT 553)	

■ Parts Included in Repair Kit #6062.54 (KIT 553)

OPERATING INSTRUCTIONS

1. Before operating or re-operating pump, lift R.V. Handle (0902.05) so pump will start at zero pressure.
FAILURE TO DO SO WILL VOID PUMP WARRANTY.
2. Turn Pressure Adjustment Knob (1801.02) counter-clockwise to relieve spring tension. (Step 2 is only necessary on initial start-up and is not necessary for daily operation.)
3. Start unit and let run until air is evacuated from system, when only liquid is expelled from the bypass line.
4. Return R.V. Handle (0902.05) to down position. Open spray gun or spray boom and turn adjustment knob (1801.02) clockwise until desired operating pressure is achieved.

OMEGA 195 DIMENSIONS

All Dimensions are WITHOUT Control Unit or Regulator

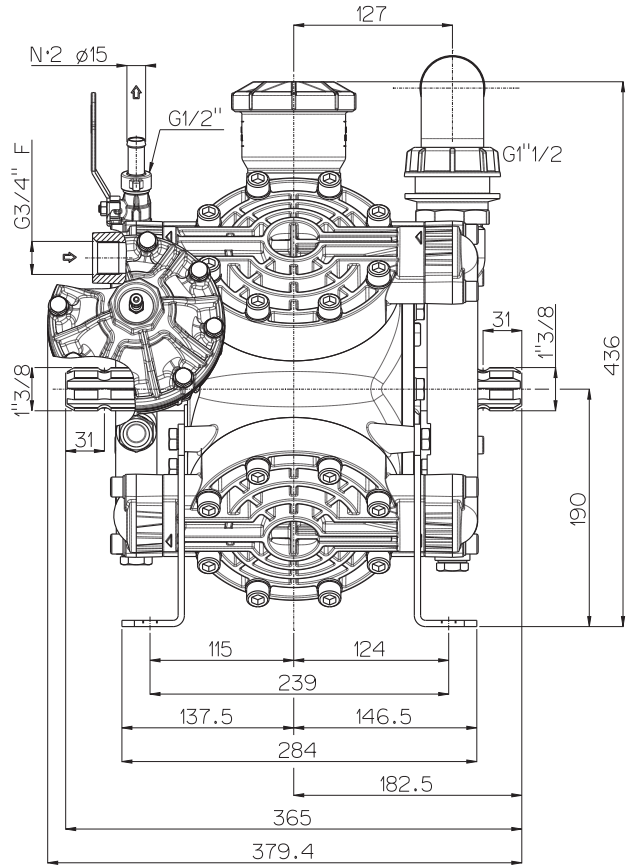
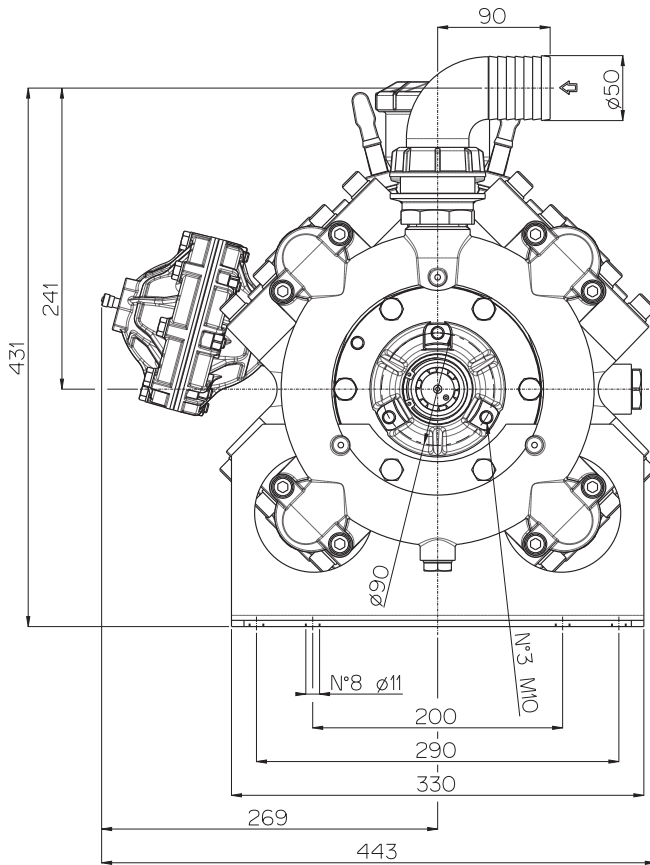
Dimensional Drawings are Shown in Millimeters. To Convert to Inches, Multiply Dimension x 0.03937

Specifications

OMEGA 195

Inlet Port - Hose Barb	2" HB
Outlet Ports - Hose Barb	(2) 3/4" HB
Bypass - Hose Barb	1" HB
Dimensions	17.4"L x 15.5"W x 17.2"H
Diaphragm Material	GREENTECH (Std) Buna-N (Opt)

Lubrication: Requires 91 oz. of Udor Lube 40W Premium Pump Oil.
Alternate Oil: 30W non-detergent or 15W-40 non-detergent oil.



TORQUE SPECS

Ref.	Description	Ft./lb.	Nm
1	Diaphragm Bolts (Use Loctite 243)	22	30
2	Head Bolts	37	50
3	Pulsation Dampener Bolts	20	28
4	Bearing Flange Bolts	25	34
5	Oil Cup Bolts	7	10
6	Manifold Bolts - Aluminum/Brass	22	30

