

4-Cylinder, High-Pressure Diaphragm Pumps



OMEGA 170 4-cylinder, high pressure, high volume diaphragm pumps are constructed of anodized aluminum, brass and stainless steel and have anodized aluminum, brass and stainless steel liquid handling parts. Includes mounting rails and 6005.05 control unit with pressure gauge. Simplicity of design and common parts allow for easy and economical maintenance.

OMEGA 170 pumps are excellent choices for various horticultural and agricultural spraying applications.

Pumps are available with a 1-3/8" Male PTO thru-shaft.

Model	GPM	l/min	PSI	bar	RPM	Drive Configuration	Weight
OMEGA 170 TS2C	46.0	174.5	725	50	550	1-3/8" 6-Spline Male PTO Thru-Shaft	120 LBS

Specifications	OMEGA 170	Description	Part #
Inlet Port	1-1/2" Hose Barb	Diaphragm Kit (GREENTECH)	8700.07
Outlet Ports	(2) 1/2" Hose Barb Valve, 3/4" FPT	Diaphragm Bolt / Washer Kit	6062.36
Bypass	1" Hose Barb	Valve Kit	6062.E1
Piston Diameter	75mm	Complete Repair Kit	8700.07CK
Crankshaft Stroke/Code	19.0mm / U		
Dimensions	17.4"L x 15.5"W x 17.2"H		

Lubrication: Requires 91 oz. of Udor Lube 40W Premium Pump Oil.
Alternate Oil: 30W non-detergent or 15W-40 non-detergent oil.

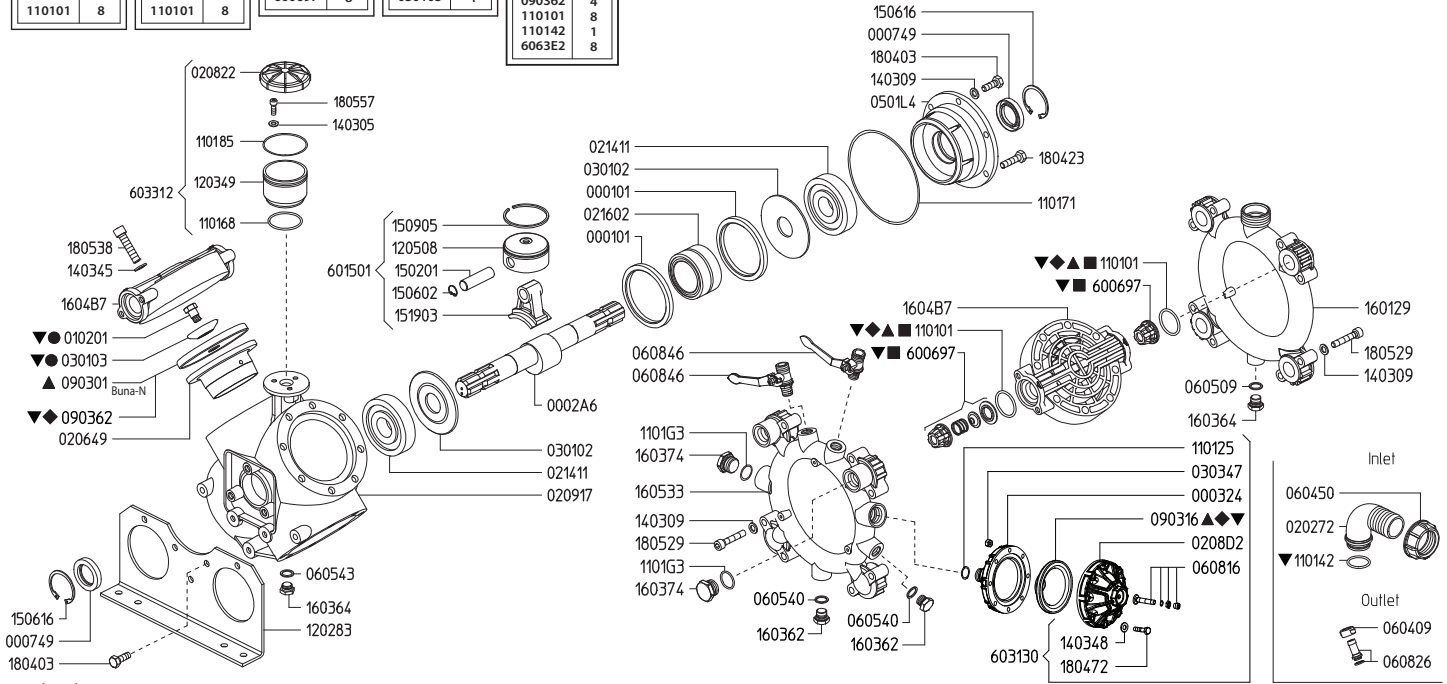


OMEGA 170 TS2C

Maximum Flow	46.0 GPM / 174.5 lpm
Maximum Pressure	725 PSI / 50 bar
Maximum RPM	550 RPM
Inlet Port	1-1/2" Hose Barb
Outlet Ports	(2) 1/2" Hose Barb Valve, 3/4" FPT
Bypass	1" Hose Barb
Dimensions	17.4"L x 15.5"W x 17.2"H
Weight	120 lbs

Lubrication: Requires 84 oz. of Udor Lube 40W Premium Pump Oil.
Alternate Oil: 30W non-detergent or 15W-40 non-detergent oil.

870007 KIT 628		606233 KIT 532		6062E1 KIT 643		606236 KIT 535		8700.07CK	
CODE	QTY	CODE	QTY	CODE	QTY	CODE	QTY	CODE	QTY
090316	1	090301	4	110101	8	010201	4	010201	4
090362	4	090316	1	600697	8	030103	4	030103	4
110101	8	110101	8					030103	4
								010201	4
								030103	4
								010201	4
								030103	4
								010201	4
								030103	4



Revised 1-17-2024

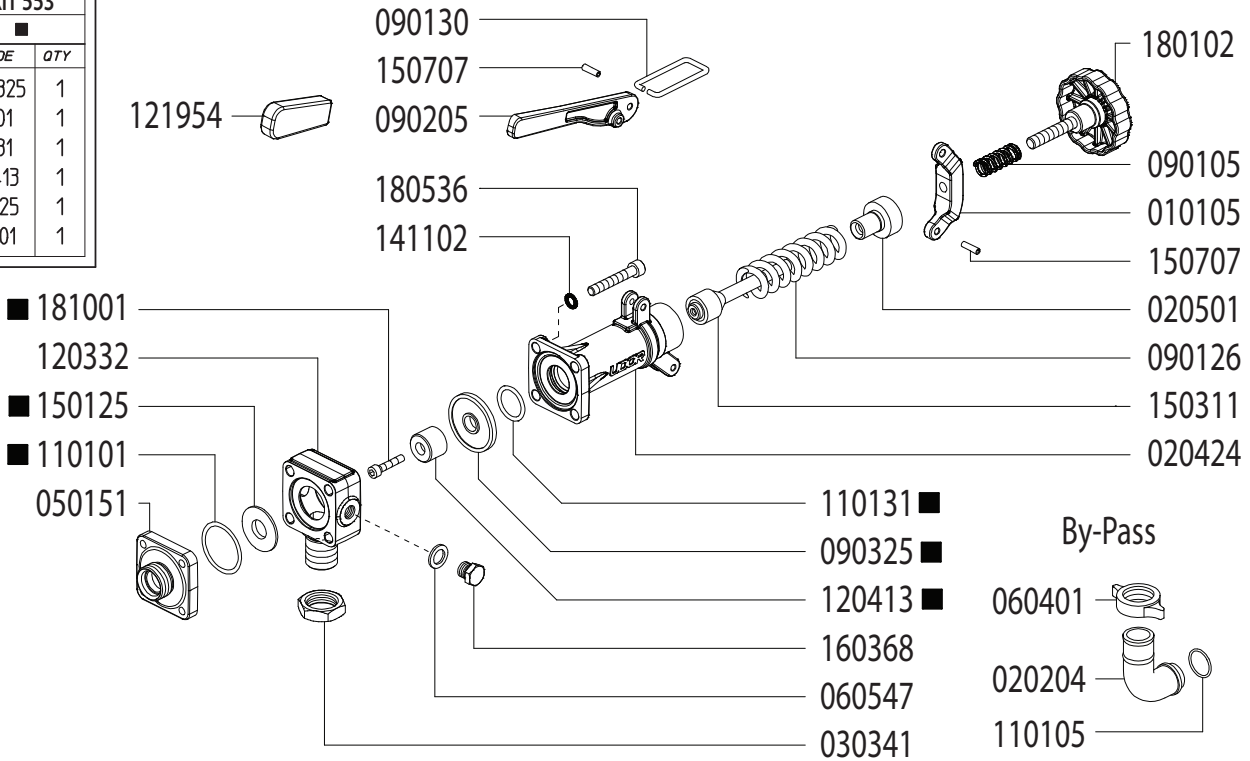
Part #	Description	Qty	Part #	Description	Qty
0001.01	RETAINER RING "BETA/OMEGA"	2	1205.08	ALUMINIUM PISTON D75	4
0002.A6	SHAFT "ZETA 350/OMEGA" TS 2C	1	1403.05	WASHER D8.4	3
0003.24	PRESSURE ACCUMULATOR	1	1403.09	WASHER D10,5	19
0007.49	OIL SEAL D35	2	1403.45	WASHER D13	32
0102.01	DIAPHRAGM BOLT "ZETA/KAPPA 121" ●▼	4	1403.48	WASHER D8.4	8
0202.72	HOSE BARB D40	1	1502.01	PIN D18X64	4
0206.49	SLEEVE D75 "OMEGA 170"	4	1506.02	SNAP RING D18	4
0208.22	OIL RESERVOIR COVER "BETA"	1	1506.16	SNAP RING D55	2
0208.D2	ACCUMULATOR COVER "BETA"	1	1509.05	PISTON RING D75	4
0209.17	CRANKCASE "BETA 150/OMEGA 170"	1	1519.03	CONNECTING ROD	4
0214.11	BALL BEARING D35	2	1601.29	SUCTION MANIFOLD	1
0216.02	ROLLER BEARING D55	1	1603.62	PLUG G1/2	2
0301.02	ROD DISC "BETA/OMEGA"	2	1603.64	PLUG G3/8	2
0301.03	DIAPHRAGM DISC "BETA/OMEGA" ●▼	4	1603.74	PLUG G3/4	2
0303.47	HEX NUT M8X8	8	1604.B7	HEAD "OMEGA 170"	4
0501.L4	BUSHING FLANGE "BETA/OMEGA"	1	1605.33	DISCHARGE MANIFOLD	1
0604.09	BRASS NUT G1/2	1	1804.03	HEX BOLT M10X30	8
0604.50	BARB NUT G1"1/2	1	1804.23	HEX BOLT M10X40	3
0605.09	GASKET D17	1	1804.72	HEX BOLT M8X50	8
0605.40	GASKET D21.5	2	1805.29	ALLEN BOLT M10X55	16
0605.43	GASKET D17	1	1805.38	ALLEN BOLT M12X60	32
0608.16	AIR VALVE ASSY	1	1805.57	ALLEN BOLT M8X22	3
0608.26	HOSE BARB D13+GASKET	1	6006.97	VALVE ASSEMBLY W/O O-RING ■▼	8
0608.46	BALL VALVE LEFT	2	6015.01	ROD ASSY "OMEGA/BETA" D75	4
0903.01	PISTON DIAPHRAGM - BUNA-N D130 ▲	4	6031.30	PRESSURE ACCUMULATOR ASSEMBLY	1
0903.16	ACCUMULATOR DIAPHRAGM ◆▲▼	1	6033.12	OIL RESERVOIR ASSEMBLY	1
0903.62	PISTON DIAPHRAGM - GREENTECH D130 ◆▼	4	6062.33	DIAPHRAGM KIT - BUNA-N (KIT 532)	1
1101.01	O-RING - VALVE ▲◆■▼	8	6062.36	DIAPHRAGM BOLT/WASHER KIT (KIT 535)	1
1101.25	O-RING - PULSATION DAMPENNER	1	6062.E1	IN/OUTLET VALVE KIT "BETA 150" (KIT 643)	1
1101.42	O-RING - INLET HOSE BARB▼	1	8700.07	DIAPHRAGM KIT - GREENTECH (KIT 628)	1
1101.68	O-RING - OIL RESERVOIR	1	8700.07CK	COMPLETE REPAIR KIT	1
1101.71	O-RING - BUSHING FLANGE	1			
1101.85	O-RING - OIL RESERVOIR	1			
1101.G3	O-RING - PLUG	2			
1202.83	BASE PLATE "OMEGA 170"	2			
1203.49	OIL RESERVOIR	1			

- ▲ Parts in 6062.33 (Kit 532)
- Parts in 6062.36 (Kit 535)
- Parts in 6062.E1 (Kit 643)
- ◆ Parts in 8700.07 (Kit 628)
- ▼ Parts in 8700.07CK (Complete Repair Kit)

Adjustable Pressure Regulator

Maximum Flow	47.3 GPM / 179.2 lpm
Maximum Pressure	1200 PSI / 81 bar
Inlet Ports	3/4" Male BSP
Outlet Ports	-
Bypass - Hose Barb	1" HB

606254	
KIT 553	
CODE	QTY
090325	1
110101	1
110131	1
120413	1
150125	1
181001	1



Revised 1-17-2024

Part #	Description	Qty
0101.05	LEVER GUIDE	1
0202.04	1" BRASS ELBOW HOSE BARB	1
0204.24	VALVE BODY	1
0205.01	VALVE CYLINDER	1
0303.41	NUT	1
0501.51	FLANGE	1
0604.01	BARB NUT	1
0901.05	SPRING	1
0901.30	PRESSURE BAIL	1
0901.26	SPRING	1
0902.05	HANDLE	1
0903.25	DIAPHRAGM	1
1101.01	O-RING - BYPASS FLANGE	1
1101.05	O-RING - BYPASS HOSE BARB	1

Part #	Description	Qty
1101.31	O-RING - VALVE BODY	1
1203.32	INLET ELBOW - 3/4" MALE BSP	1
1204.13	POPPET	1
1219.54	HANDLE COVER - RUBBER	1
1501.25	SEAT	1
1503.11	REGULATOR STEM	1
1507.07	PIN	2
1801.02	ADJUSTMENT KNOB	1
1805.36	BOLT	4
1810.01	BOLT - STAINLESS STEEL	1
GG1500	HIGH PRESSURE GAUGE (OPTIONAL)	1
6062.54	REPAIR KIT (KIT 553)	

■ Parts Included in Repair Kit #6062.54 (KIT 553)

OPERATING INSTRUCTIONS

- Before operating or re-operating pump, lift R.V. Handle (0902.05) so pump will start at zero pressure.
FAILURE TO DO SO WILL VOID PUMP WARRANTY.
- Turn Pressure Adjustment Knob (1801.02) counter-clockwise to relieve spring tension. (Step 2 is only necessary on initial start-up and is not necessary for daily operation.)
- Start unit and let run until air is evacuated from system, when only liquid is expelled from the bypass line.
- Return R.V. Handle (0902.05) to down position. Open spray gun or spray boom and turn adjustment knob (1801.02) clockwise until desired operating pressure is achieved.

OMEGA 170 DIMENSIONS

All Dimensions are WITHOUT Control Unit or Regulator

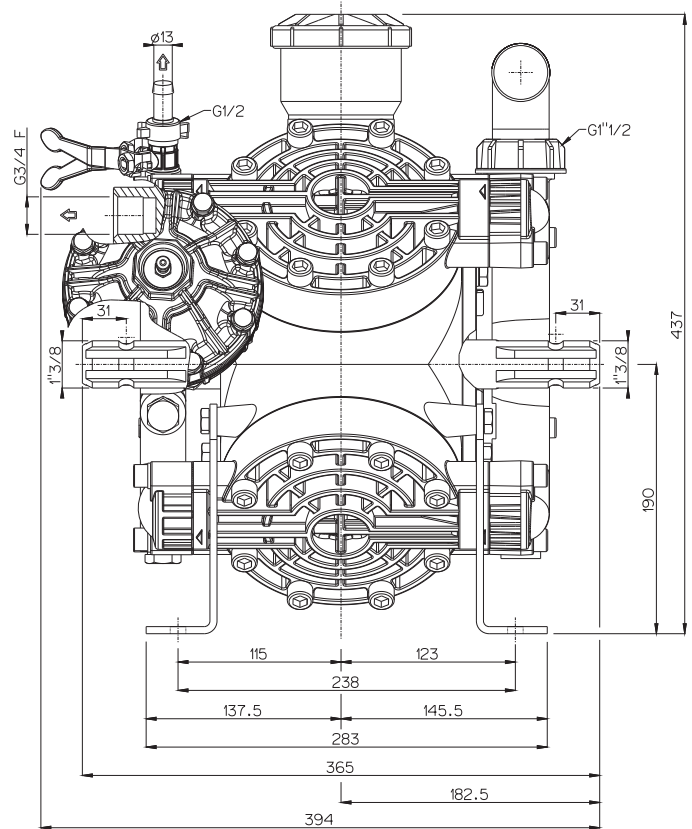
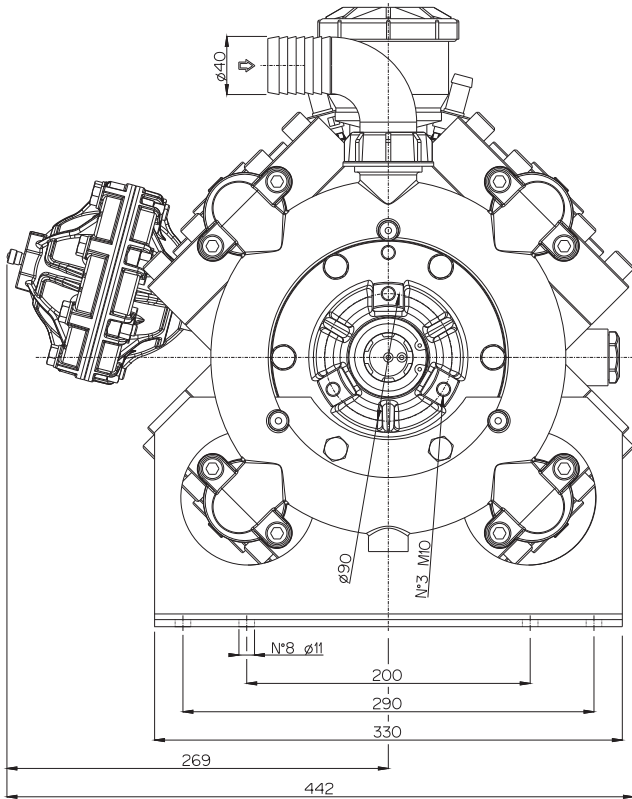
Dimensional Drawings are Shown in Millimeters. To Convert to Inches, Multiply Dimension x 0.03937

Specifications

OMEGA 170

Inlet Port - Hose Barb	1-1/2" HB
Outlet Ports - Hose Barb	(2) 3/4" HB
Bypass - Hose Barb	1" HB
Dimensions	17.4"L x 15.5"W x 17.2"H
Diaphragm Material	GREENTECH (Std) Buna-N (Opt)

Lubrication: Requires 91 oz. of Udor Lube 40W Premium Pump Oil.
Alternate Oil: 30W non-detergent or 15W-40 non-detergent oil.



TORQUE SPECS

Ref.	Description	Ft./lb.	Nm
1	Diaphragm Bolts (Use Loctite 243)	22	30
2	Head Bolts	37	50
3	Pulsation Dampener Bolts	20	28
4	Bearing Flange Bolts	25	34
5	Oil Cup Bolts	7	10
6	Manifold Bolts - Aluminum/Brass	22	30

