

4-Cylinder, High-Pressure Diaphragm Pumps with 4900.09 - VRG 160 Regulator



OMEGA 170 4-cylinder, high pressure, high volume diaphragm pumps are constructed of anodized aluminum, brass and stainless steel and have anodized aluminum, brass and stainless steel liquid handling parts. Includes mounting rails and 6005.05 control unit with pressure gauge. Simplicity of design and common parts allow for easy and economical maintenance.

OMEGA 170 pumps are excellent choices for various horticultural and agricultural spraying applications.

Pumps are available with a 1-3/8" Male PTO thru-shaft.

Model	GPM	l/min	PSI	bar	RPM	Drive Configuration	Weight
OMEGA 170 TS2C	46.0	174.5	725	50	550	1-3/8" 6-Spline Male PTO Thru-Shaft	120 LBS

Specifications	OMEGA 170	Description	Part #
Inlet Port	1-1/2" Hose Barb	Diaphragm Kit (GREENTECH)	8700.07
Outlet Ports	(2) 1/2" Hose Barb Valve, 3/4" FPT	Diaphragm Bolt / Washer Kit	6062.36
Bypass	1" Hose Barb	Valve Kit	6062.E1
Piston Diameter	75mm	Complete Repair Kit	8700.07CK
Crankshaft Stroke/Code	19.0mm / U		
Dimensions	17.4"L x 15.5"W x 17.2"H		

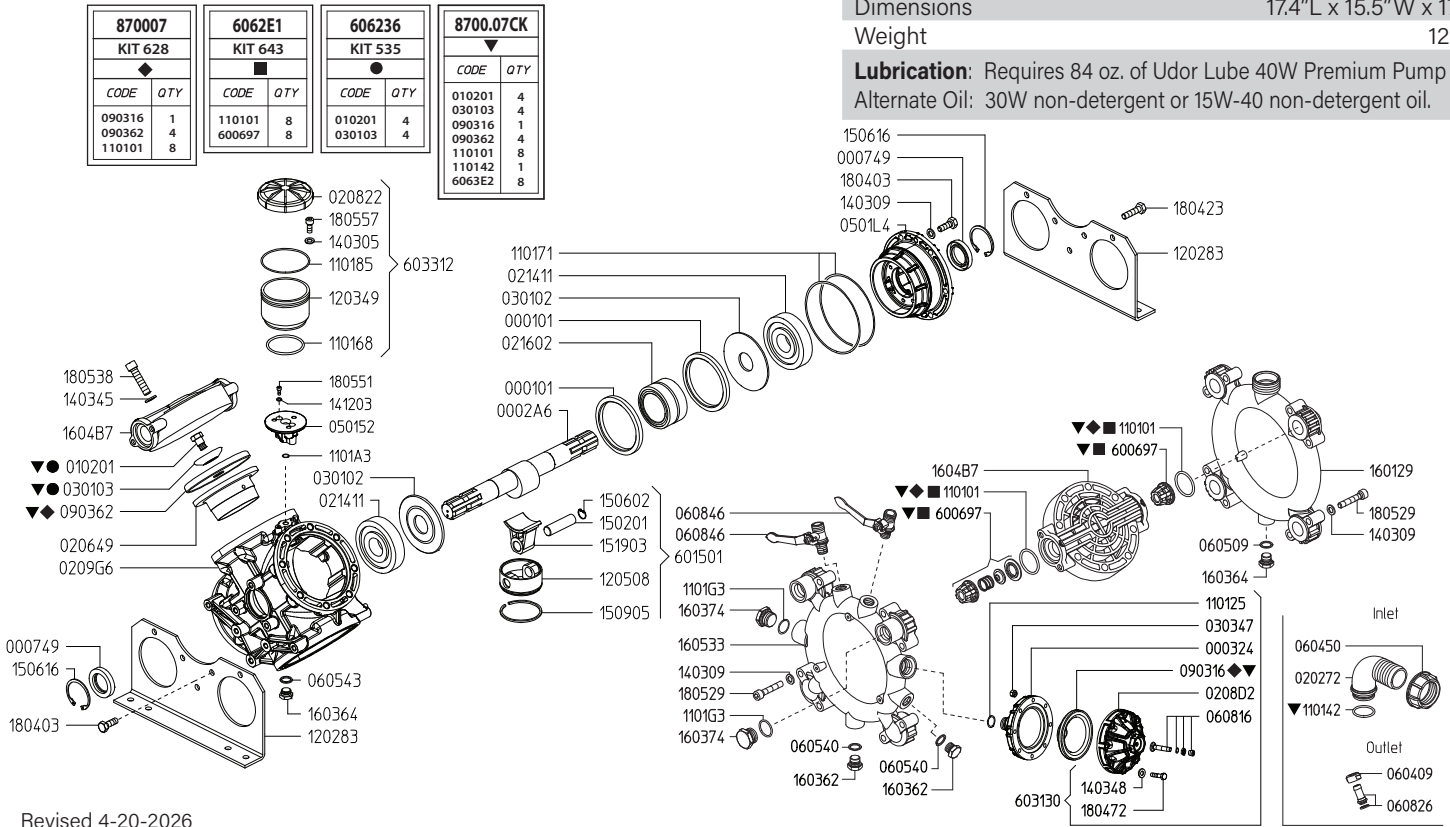
Lubrication: Requires 91 oz. of Udor Lube 40W Premium Pump Oil.
Alternate Oil: 30W non-detergent or 15W-40 non-detergent oil.



OMEGA 170 TS2C

Maximum Flow	46.0 GPM / 174.5 lpm
Maximum Pressure	725 PSI / 50 bar
Maximum RPM	550 RPM
Inlet Port	1-1/2" Hose Barb
Outlet Ports	(2) 1/2" Hose Barb Valve, 3/4" FPT
Bypass	1" Hose Barb
Dimensions	17.4"L x 15.5"W x 17.2"H
Weight	120 lbs

Lubrication: Requires 84 oz. of Udor Lube 40W Premium Pump Oil.
 Alternate Oil: 30W non-detergent or 15W-40 non-detergent oil.



Revised 4-20-2026

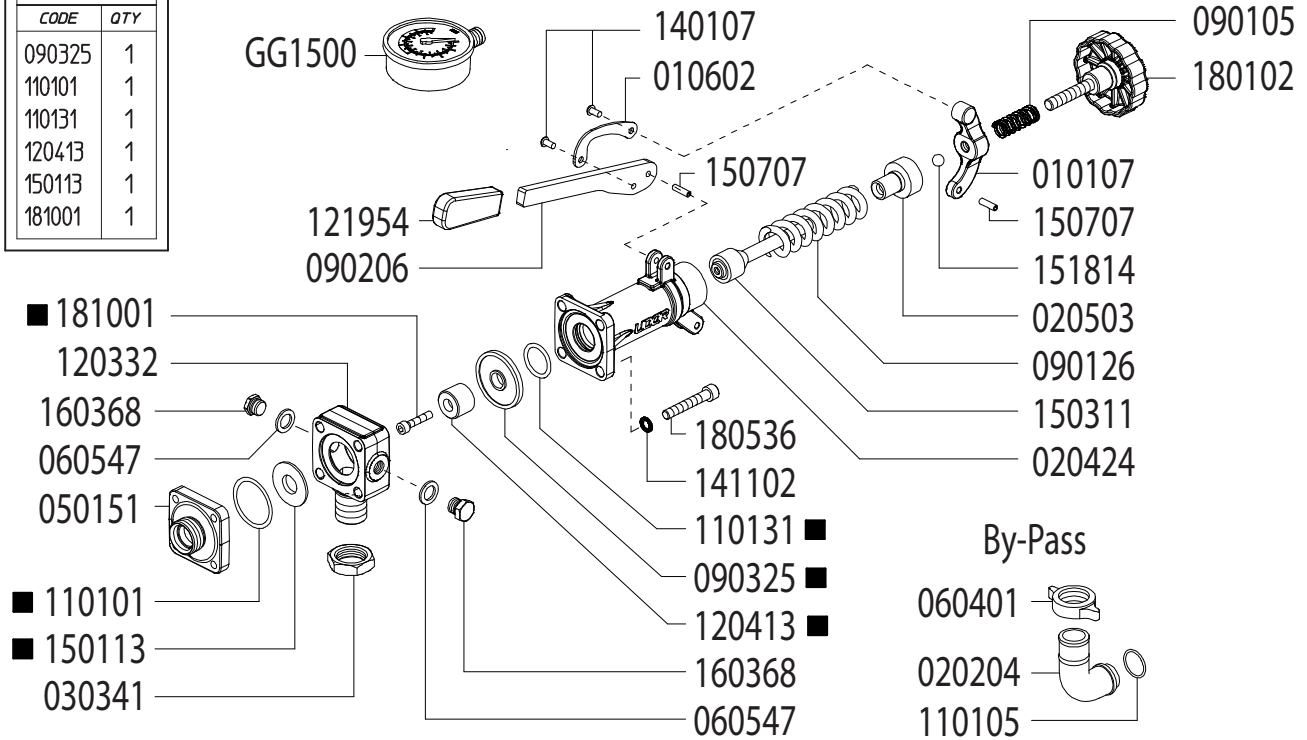
Part #	Description	Qty	Part #	Description	Qty
0001.01	RETAINER RING "BETA/OMEGA"	2	1205.08	ALUMINIUM PISTON D75	4
0002.A6	SHAFT "ZETA 350/OMEGA" TS 2C	1	1403.05	WASHER D8.4	3
0003.24	PRESSURE ACCUMULATOR	1	1403.09	WASHER D10,5	19
0007.49	OIL SEAL D35	2	1403.45	WASHER D13	32
0102.01	DIAPHRAGM BOLT "ZETA/KAPPA 121" ◆▼	4	1403.48	WASHER D8.4	8
0202.72	HOSE BARB D40	1	1412.03	BONDED WASHER D6.7	2
0206.49	SLEEVE D75 "OMEGA 170"	4	1502.01	PIN D18X64	4
0208.22	OIL RESERVOIR COVER "BETA"	1	1506.02	SNAP RING D18	4
0208.D2	ACCUMULATOR COVER "BETA"	1	1506.16	SNAP RING D55	2
0209.G6	CRANKCASE "BETA / OMEGA"	1	1509.05	PISTON RING D75	4
0214.11	BALL BEARING D35	2	1519.03	CONNECTING ROD	4
0216.02	ROLLER BEARING D55	1	1601.29	SUCTION MANIFOLD	1
0301.02	ROD DISC "BETA/OMEGA"	2	1603.62	PLUG G1/2	2
0301.03	DIAPHRAGM DISC "BETA/OMEGA" ◆▼	4	1603.64	PLUG G3/8	2
0303.47	HEX NUT M8X8	8	1603.74	PLUG G3/4	2
0501.52	OIL CUP SUPPORT FLANGE "BETA / OMEGA"	1	1604.B7	HEAD "OMEGA 170"	4
0501.L4	BUSHING FLANGE "BETA/OMEGA"	1	1605.33	DISCHARGE MANIFOLD	1
0604.09	BRASS NUT G1/2	1	1804.03	HEX BOLT M10X30	8
0604.50	BARB NUT G1"1/2	1	1804.23	HEX BOLT M10X40	3
0605.09	GASKET D17	1	1804.72	HEX BOLT M8X50	8
0605.40	GASKET D21.5	2	1805.29	ALLEN BOLT M10X55	16
0605.43	GASKET D17	1	1805.38	ALLEN BOLT M12X60	32
0608.16	AIR VALVE ASSY	1	1805.51	ALLEN BOLT M6X40	2
0608.26	HOSE BARB D13+GASKET	1	1805.57	ALLEN BOLT M8X22	3
0608.46	BALL VALVE LEFT	2	6006.97	VALVE ASSEMBLY W/O O-RING ◆▼	8
0903.16	ACCUMULATOR DIAPHRAGM ◆▼	1	6015.01	ROD ASSY "OMEGA/BETA" D75	4
0903.62	PISTON DIAPHRAGM - GREENTECH D130 ◆▼	4	6031.30	PRESSURE ACCUMULATOR ASSEMBLY	1
1101.01	O-RING - VALVE ◆◆▼	8	6033.12	OIL RESERVOIR ASSEMBLY	1
1101.25	O-RING - PULSATION DAMPENOR	1	6062.36	DIAPHRAGM BOLT/WASHER KIT (KIT 535)	1
1101.42	O-RING - INLET HOSE BARB▼	1	6062.E1	IN/OUTLET VALVE KIT "BETA 150" (KIT 643)	1
1101.68	O-RING - OIL RESERVOIR	1	8700.07	DIAPHRAGM KIT - GREENTECH (KIT 628)	1
1101.71	O-RING - BUSHING FLANGE	2	8700.07CK	COMPLETE REPAIR KIT	1
1101.85	O-RING - OIL RESERVOIR	1			
1101.A3	O-RING - OIL CUP SUPPORT FLANGE	1			
1101.G3	O-RING - PLUG	2			
1202.83	BASE PLATE "OMEGA 170"	2			
1203.49	OIL RESERVOIR	1			

- ◆ Parts in 6062.36 (Kit 535)
- Parts in 6062.E1 (Kit 643)
- ◆ Parts in 8700.07 (Kit 628)
- ▼ Parts in 8700.07CK (Complete Repair Kit)

Adjustable Pressure Regulator

Maximum Flow	47.3 GPM / 179.2 lpm
Maximum Pressure	1470 PSI / 10 bar
Inlet Port	3/4" Male BSP
Outlet Ports	-
Bypass - Hose Barb	1" HB

606254	
KIT 553	
■	
CODE	QTY
090325	1
110101	1
110131	1
120413	1
150113	1
181001	1



Revised 10-9-2025

Part #	Description	Qty
0101.07	LEVER GUIDE	1
0106.02	PRESSURE BAIL	1
0202.04	1" BRASS ELBOW HOSE BARB	1
0204.24	VALVE BODY	1
0205.03	VALVE CYLINDER	1
0303.41	NUT	1
0501.50	FLANGE	1
0604.01	BARB NUT	1
0605.47	GASKET D8	1
0901.05	SPRING	1
0901.26	SPRING	1
0902.06	HANDLE	1
0903.25	DIAPHRAGM	1
1101.01	O-RING - BYPASS FLANGE	1
1101.05	O-RING - BYPASS HOSE BARB	1
1101.31	O-RING - VALVE BODY	1
1203.32	INLET ELBOW - 3/4" MALE BSP	1

Part #	Description	Qty
1204.13	POPPET	1
1219.54	HANDLE COVER - RUBBER	1
1401.07	RIVET	2
1411.02	WASHER	4
1501.13	SEAT	1
1503.11	REGULATOR STEM	1
1507.07	PIN	2
1518.14	BALL	1
1603.68	PLUG - 1/4" BRASS	1
1801.02	ADJUSTMENT KNOB	1
1805.36	BOLT	4
1810.01	BOLT - STAINLESS STEEL	1
GG1500	HIGH PRESSURE GAUGE (OPTIONAL)	1
6062.54	REPAIR KIT (KIT 553)	

■ Parts Included in Repair Kit #6062.54 (KIT 553)

OPERATING INSTRUCTIONS

1. Before operating or re-operating pump, lift R.V. Handle (0902.05) so pump will start at zero pressure.
FAILURE TO DO SO WILL VOID PUMP WARRANTY.
2. Turn Pressure Adjustment Knob (1801.02) counter-clockwise to relieve spring tension. (Step 2 is only necessary on initial start-up and is not necessary for daily operation.)
3. Start unit and let run until air is evacuated from system, when only liquid is expelled from the bypass line.
4. Return R.V. Handle (0902.05) to down position. Open spray gun or spray boom and turn adjustment knob (1801.02) clockwise until desired operating pressure is achieved.

OMEGA 170 DIMENSIONS

All Dimensions are WITHOUT Control Unit or Regulator

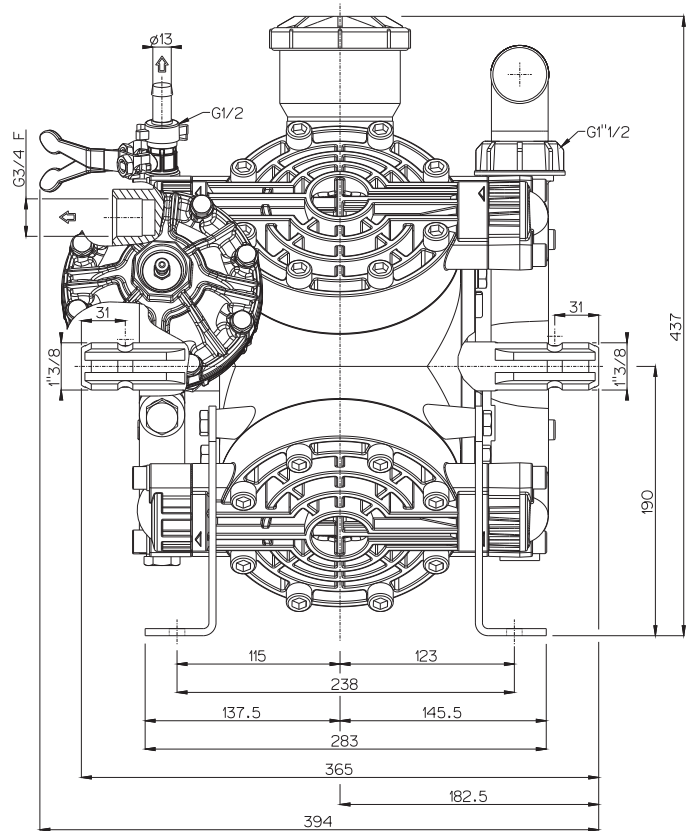
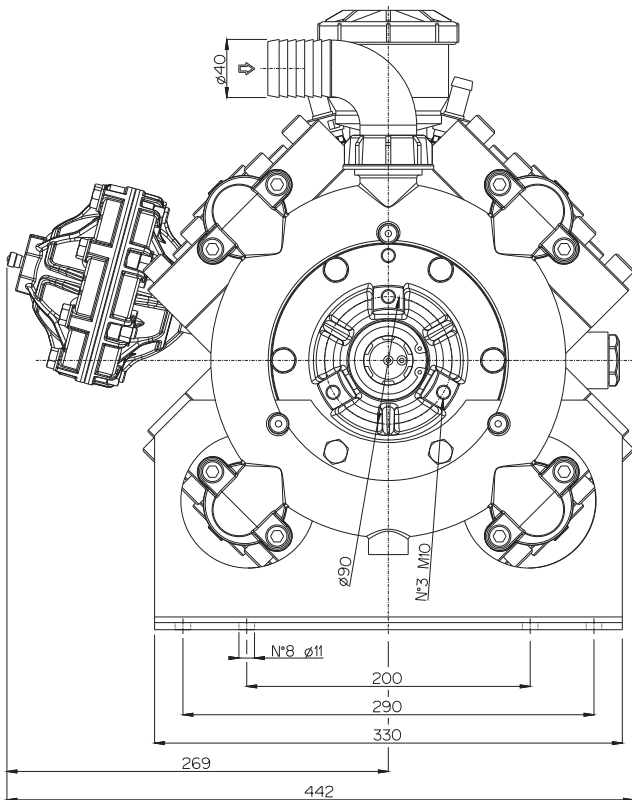
Dimensional Drawings are Shown in Millimeters. To Convert to Inches, Multiply Dimension x 0.03937

Specifications

OMEGA 170

Inlet Port - Hose Barb	1-1/2" HB
Outlet Ports - Hose Barb	(2) 3/4" HB
Bypass - Hose Barb	1" HB
Dimensions	17.4"L x 15.5"W x 17.2"H
Diaphragm Material	GREENTECH (Std) Buna-N (Opt)

Lubrication: Requires 91 oz. of Udor Lube 40W Premium Pump Oil.
Alternate Oil: 30W non-detergent or 15W-40 non-detergent oil.



TORQUE SPECS

Ref.	Description	Ft./lb.	Nm
1	Diaphragm Bolts (Use Loctite 243)	22	30
2	Head Bolts	37	50
3	Pulsation Dampener Bolts	20	28
4	Bearing Flange Bolts	25	34
5	Oil Cup Bolts	7	10
6	Manifold Bolts - Aluminum/Brass	22	30

