

3-Cylinder, High-Pressure Diaphragm Pumps



OMEGA 139 3-cylinder, high pressure, high volume diaphragm pumps are constructed of anodized aluminum, brass and stainless steel and have anodized aluminum, brass and stainless steel liquid handling parts. Includes mounting rails and 6005.05 control unit with pressure gauge. Simplicity of design and common parts allow for easy and economical maintenance.

OMEGA 139 pumps are excellent choices for various horticultural and agricultural spraying applications.

Pumps are available with a 1-3/8" Male PTO thru-shaft.

Model	GPM	l/min	PSI	bar	RPM	Drive Configuration	Weight
OMEGA 139 TS2C	39.0	140	725	50	550	1-3/8" 6-Spline Male PTO Thru-Shaft	62 LBS

Specifications	OMEGA 139	Description	Part #
Inlet Port	1-1/2" Hose Barb	Diaphragm Kit (GREENTECH)	6062.H2
Outlet Ports	(2) 1/2" Hose Barb Valve, 3/4" FPT	Diaphragm Bolt & Washer Kit	6062.16
Bypass	1" Hose Barb	Valve Kit	6062.D9
Piston Diameter	75mm	Complete Repair Kit	8700.30CK
Crankshaft Stroke/Code	19.0mm / U		
Dimensions	17.4"L x 15.5"W x 17.2"H		

Lubrication: Requires 54 oz. of Udor Lube 40W Premium Pump Oil.
Alternate Oil: 30W non-detergent or 15W-40 non-detergent oil.

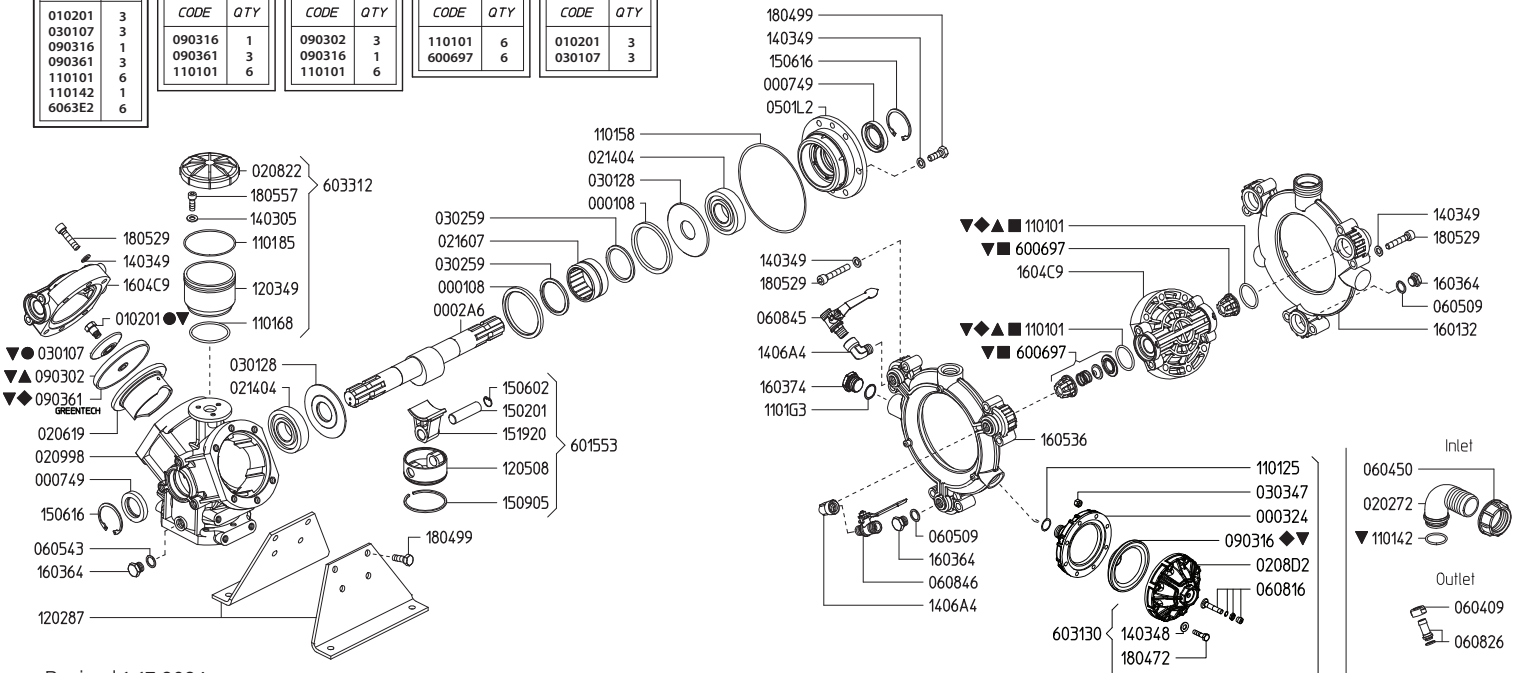


OMEGA 139 TS2C

Maximum Flow	37.0 GPM / 140 lpm
Maximum Pressure	725 PSI / 50 bar
Maximum RPM	550 RPM
Inlet Port	1-1/2" Hose Barb
Outlet Ports	(2) 1/2" Hose Barb Valve, 3/4" FPT
Bypass	1" Hose Barb
Dimensions	17.4"L x 15.5"W x 17.2"H
Weight	62 lbs

Lubrication: Requires 40 oz. of Udor Lube 40W Premium Pump Oil.
Alternate Oil: 30W non-detergent or 15W-40 non-detergent oil.

8700.30CK		6062E8		6062E7		6062D9		606216	
CODE	QTY	CODE	QTY	CODE	QTY	CODE	QTY	CODE	QTY
010201	3	090316	1	090302	3	110101	6	010201	3
030107	3	090361	3	090316	1	600697	6	030107	3
090316	1	110101	6	110101	6				
090361	3								
110101	6								
110142	1								
6063E2	6								



Revised 1-17-2024

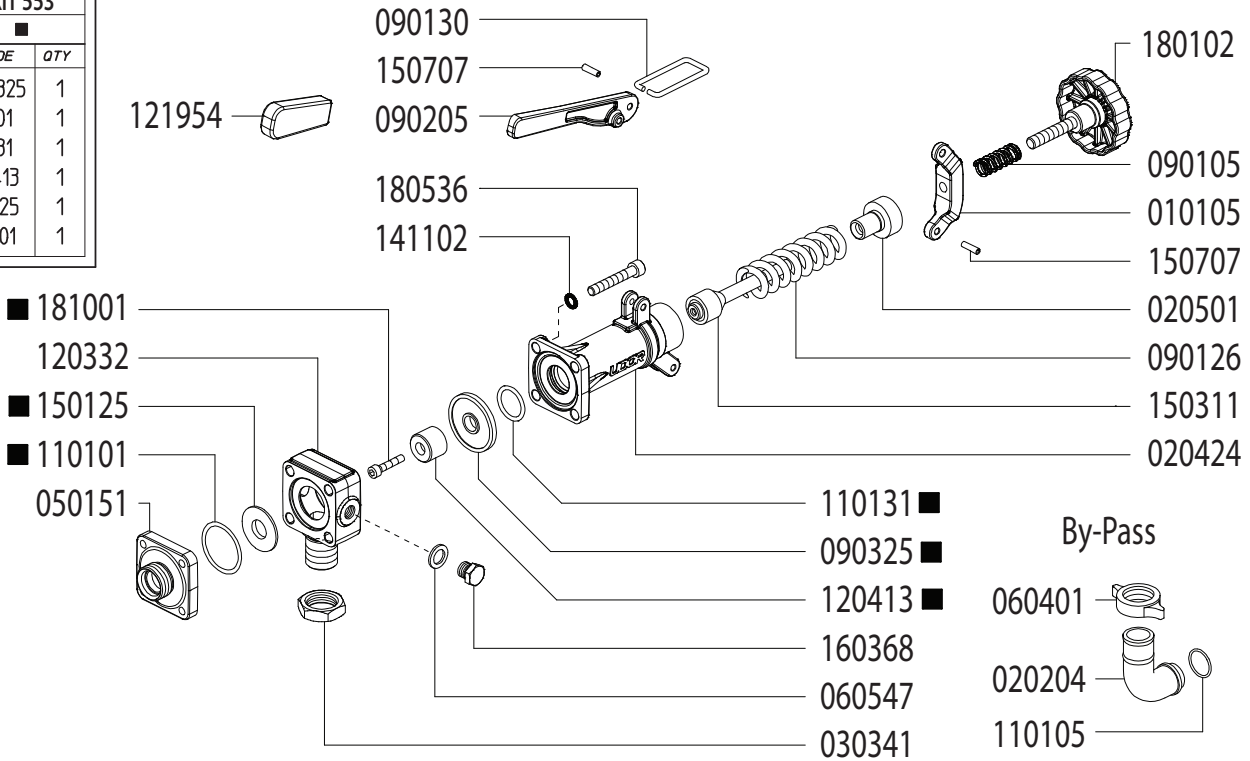
Part #	Description	Qty	Part #	Description	Qty
0001.08	RETAINER RING "ZETA 170/260"	2	1202.87	BASE PLATE	2
0002.A6	SHAFT "ZETA 350/OMEGA" TS 2C	1	1203.49	OIL RESERVOIR	1
0003.24	PRESSURE ACCUMULATOR BASE	1	1205.08	ALUMINIUM PISTON D75	3
0007.49	OIL SEAL D35	2	1403.05	WASHER D8	3
0102.01	DIAPHRAGM BOLT ●▼	3	1403.48	WASHER D8.4 DACROMET	8
0202.72	HOSE BARB D40	1	1403.49	WASHER M10	36
0206.19	SLEEVE D75	3	1406.A4	ELBOW G3/8 M - G3/8 F	2
0208.02	PRESSURE ACCUMULATOR COVER	1	1502.01	PIN D18X64	3
0208.22	OIL RESERVOIR COVER	1	1506.02	SNAP RING D18	3
0209.98	CRANKCASE	1	1506.16	SNAP RING D55	2
0214.04	BALL BEARING D35	2	1509.05	PISTON RING D75	3
0216.07	ROLLER BEARING D55	1	1519.20	CONNECTING ROD	3
0301.07	DIAPHRAGM DISC "ZETA/KAPPA 121/151" ●▼	3	1601.32	SUCTION MANIFOLD	1
0301.28	ROD DISC "ZETA 170/200/260/300"	2	1603.64	PLUG G3/8	3
0302.59	ROD SPACER "ZETA 230/260"	2	1603.74	PLUG G3/4	1
0303.47	HEX NUT M8X8	8	1604.C9	HEAD	3
0501.L2	BUSHING FLANGE "OMEGA 135/139"	1	1605.36	OUTLET MANIFOLD	1
0604.09	BRASS NUT G1/2	1	1804.72	HEX BOLT M8X50	8
0604.50	BARB NUT G1-1/2"	1	1804.99	HEX BOLT M10X25	8
0605.09	GASKET D17	2	1805.29	ALLEN BOLT M10X55	30
0605.43	GASKET D17	1	1805.57	ALLEN BOLT M8X22	3
0608.16	AIR VALVE ASSEMBLY	1	6006.97	VALVE ASSEMBLY W/O O-RING ■▼	6
0608.26	HOSE BARB D13+GASKET	1	6015.53	ROD ASSY "OMEGA 135" D75	3
0608.45	BALL VALVE RIGHT	1	6031.30	PRESSURE ACCUMULATOR ASSEMBLY	1
0608.46	BALL VALVE LEFT	1	6033.12	OIL RESERVOIR ASSEMBLY	1
0903.02	PISTON DIAPHRAGM D116 BUNA-N ▲	3	6062.16	DIAPHRAGM BOLT/WASHER KIT (KIT 515)	1
0903.16	ACCUMULATOR DIAPHRAGM ▲◆◆▼	1	6062.D9	IN/OUTLET VALVE KIT (KIT 642)	1
0903.61	PISTON DIAPHRAGM D116 GREENTECH ◆▼	3	6062.E7	DIAPHRAGM KIT - BUNA-N (KIT 649)	1
1101.01	O-RING - VALVE ▲◆◆▼	6	6062.E8	DIAPHRAGM KIT - GREENTECH (KIT 650)	1
1101.25	O-RING - ACCUMULATOR	1	8700.30CK	COMPLETE REPAIR KIT	1
1101.42	O-RING - INLET HOSE BARB▼	1			
1101.58	O-RING - BEARING FLANGE	1			
1101.68	O-RING - OIL RESERVOIR	1			
1101.85	O-RING - OIL RESERVOIR	1			
1101.G3	O-RING - PLUG	1			

- Parts in 6062.16 (Kit 515)
- Parts in 6062.D9 (Kit 642)
- ▲ Parts in 6062.E7 (Kit 649)
- ◆ Parts in 6062.E8 (Kit 650)
- ▼ Parts in 8700.30CK Complete Repair Kit

Adjustable Pressure Regulator

Maximum Flow	47.3 GPM / 179.2 lpm
Maximum Pressure	1200 PSI / 81 bar
Inlet Ports	3/4" Male BSP
Outlet Ports	-
Bypass - Hose Barb	1" HB

606254	
KIT 553	
■	
<i>CODE</i>	<i>QTY</i>
090325	1
110101	1
110131	1
120413	1
150125	1
181001	1



Revised 1-17-2024

Part #	Description	Qty
0101.05	LEVER GUIDE	1
0202.04	1" BRASS ELBOW HOSE BARB	1
0204.24	VALVE BODY	1
0205.01	VALVE CYLINDER	1
0303.41	NUT	1
0501.51	FLANGE	1
0604.01	BARB NUT	1
0901.05	SPRING	1
0901.30	PRESSURE BAIL	1
0901.26	SPRING	1
0902.05	HANDLE	1
0903.25 ■	DIAPHRAGM	1
1101.01 ■	O-RING - BYPASS FLANGE	1
1101.05	O-RING - BYPASS HOSE BARB	1

Part #	Description	Qty
1101.31 ■	O-RING - VALVE BODY	1
1203.32	INLET ELBOW - 3/4" MALE BSP	1
1204.13	POPPET ■	1
1219.54	HANDLE COVER - RUBBER	1
1501.25	SEAT ■	1
1503.11	REGULATOR STEM	1
1507.07	PIN	2
1801.02	ADJUSTMENT KNOB	1
1805.36	BOLT	4
1810.01	BOLT - STAINLESS STEEL ■	1
GG1500	HIGH PRESSURE GAUGE (OPTIONAL)	1
6062.54	REPAIR KIT (KIT 553)	

■ Parts Included in Repair Kit #6062.54 (KIT 553)

OPERATING INSTRUCTIONS

- Before operating or re-operating pump, lift R.V. Handle (0902.05) so pump will start at zero pressure.
FAILURE TO DO SO WILL VOID PUMP WARRANTY.
- Turn Pressure Adjustment Knob (1801.02) counter-clockwise to relieve spring tension. (Step 2 is only necessary on initial start-up and is not necessary for daily operation.)
- Start unit and let run until air is evacuated from system, when only liquid is expelled from the bypass line.
- Return R.V. Handle (0902.05) to down position. Open spray gun or spray boom and turn adjustment knob (1801.02) clockwise until desired operating pressure is achieved.

