

3-Cylinder, Medium-Pressure Diaphragm Pumps



OMEGA 135 3-cylinder, high pressure, high volume diaphragm pumps are constructed of anodized aluminum, brass and stainless steel and have anodized aluminum, brass and stainless steel liquid handling parts. Includes mounting rails and 6005.05 control unit with pressure gauge. Simplicity of design and common parts allow for easy and economical maintenance.

OMEGA 135 pumps are excellent choices for various horticultural and agricultural spraying applications.

Model	GPM	l/min	PSI	bar	RPM	Drive Configuration	Weight
OMEGA 135 TS2C	39.0	140	580	40	550	1-3/8" 6-Spline Male PTO Thru-Shaft	62 LBS

Specifications	OMEGA 135	Description	Part #
Inlet Port	1-1/2" Hose Barb	Diaphragm Kit (GREENTECH)	6062.H2
Outlet Ports	(2) 1/2" Hose Barb Valve, 3/4" FPT	Diaphragm Bolt & Washer Kit	6062.16
Bypass	1" Hose Barb	Valve Kit	6062.D9
Piston Diameter	75mm		
Crankshaft Stroke/Code	19.0mm / U		
Dimensions	17.4"L x 15.5"W x 17.2"H		

Lubrication: Requires 54 oz. of Udor Lube 40W Premium Pump Oil.
Alternate Oil: 30W non-detergent or 15W-40 non-detergent oil.

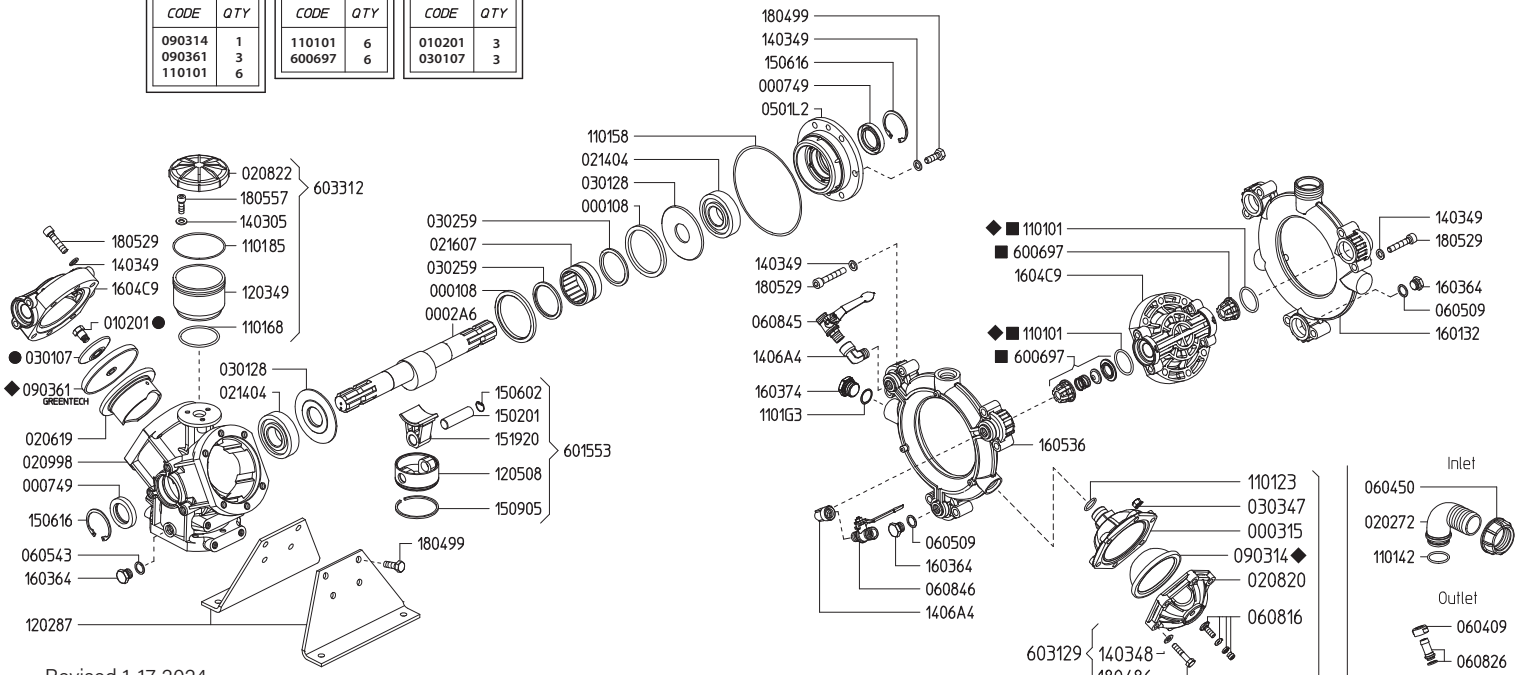


OMEGA 135 TS2C

Maximum Flow	37.0 GPM / 140 lpm
Maximum Pressure	580 PSI / 40 bar
Maximum RPM	550 RPM
Inlet Port	1-1/2" Hose Barb
Outlet Ports	(2) 1/2" Hose Barb Valve, 3/4" FPT
Bypass	1" Hose Barb
Dimensions	17.4"L x 15.5"W x 17.2"H
Weight	62 lbs

Lubrication: Requires 54 oz. of Udor Lube 40W Premium Pump Oil.
Alternate Oil: 30W non-detergent or 15W-40 non-detergent oil.

6062H2 KIT 670		6062D9 KIT 642		606216 KIT 515	
CODE	QTY	CODE	QTY	CODE	QTY
090314	1	110101	6	010201	3
090361	3	600697	6	030107	3
110101	6				



Revised 1-17-2024

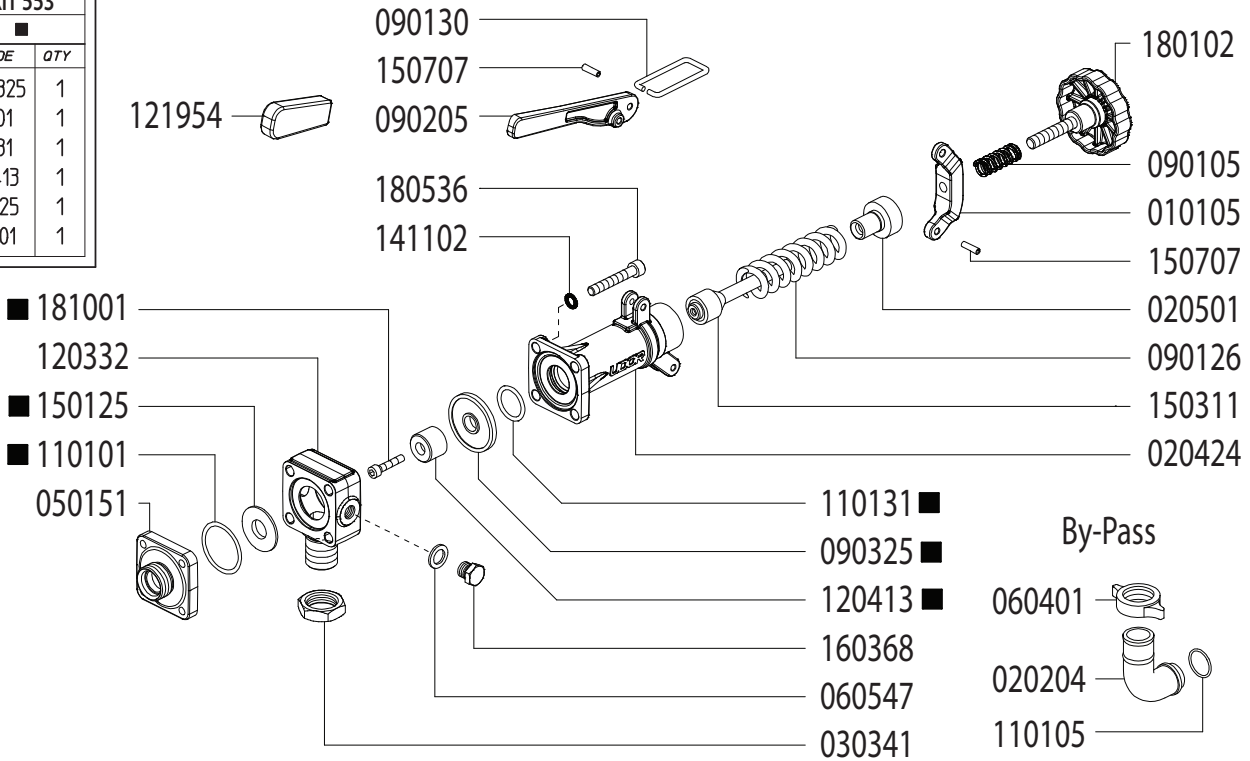
Part #	Description	Qty	Part #	Description	Qty
0001.08	RETAINER RING "ZETA 170/260"	2	1101.G3	O-RING - PLUG	1
0002.A6	SHAFT "ZETA 350/OMEGA" TS 2C	1	1202.87	BASE PLATE	2
0003.15	PRESSURE ACCUMULATOR BASE	1	1203.49	OIL RESERVOIR	1
0007.49	OIL SEAL D35	2	1205.08	ALUMINIUM PISTON D75	3
0102.01	DIAPHRAGM BOLT ●	3	1403.05	WASHER M8	11
0202.72	HOSE BARB D40	1	1403.48	WASHER D8.4 DACROMET	6
0206.19	SLEEVE D75	3	1403.49	WASHER M10	36
0208.20	PRESSURE ACCUMULATOR COVER	1	1406.A4	ELBOW G3/8 M - G3/8 F	2
0208.22	OIL RESERVOIR COVER	1	1502.01	PIN D18X64	3
0209.98	CRANKCASE	1	1506.02	SNAP RING D18	3
0214.04	BALL BEARING D35	2	1506.16	SNAP RING D55	2
0216.07	ROLLER BEARING D55	1	1509.05	PISTON RING D75	3
0301.07	DIAPHRAGM DISC "ZETA/KAPPA 121/151" ●	3	1519.20	CONNECTING ROD	3
0301.28	ROD DISC "ZETA 170/200/260/300"	2	1601.32	SUCTION MANIFOLD	1
0302.59	ROD SPACER "ZETA 230/260"	2	1603.64	PLUG G3/8	3
0303.47	HEX NUT M8X8	8	1603.74	PLUG G3/4	1
0501.L2	BUSHING FLANGE "OMEGA 135/139"	1	1604.C9	HEAD	3
0604.09	BRASS NUT G1/2	1	1605.36	OUTLET MANIFOLD	1
0604.50	BARB NUT G1-1/2"	1	1804.86	HEX BOLT M8X40	6
0605.09	GASKET D17	2	1804.99	HEX BOLT M10X25	8
0605.43	GASKET D17	1	1805.29	ALLEN BOLT M10X55	30
0608.16	AIR VALVE ASSEMBLY	1	1805.57	ALLEN BOLT M8X22	3
0608.26	HOSE BARB D13+GASKET	1	6006.97	VALVE ASSEMBLY W/O O-RING ■	6
0608.45	BALL VALVE RIGHT	1	6015.53	ROD ASSY "OMEGA 135" D75	3
0608.46	BALL VALVE LEFT	1	6031.29	PRESSURE ACCUMULATOR ASSEMBLY	1
0903.14	ACCUMULATOR DIAPHRAGM ◆	1	6033.12	OIL RESERVOIR ASSEMBLY	1
0903.61	PISTON DIAPHRAGM D116 GREENTECH ◆	3	6062.16	DIAPHRAGM BOLT/WASHER KIT (KIT 515)	1
1101.01	O-RING - VALVE ■◆	6	6062.D9	IN/OUTLET VALVE KIT (KIT 642)	1
1101.23	O-RING - ACCUMULATOR	1	6062.H2	DIAPHRAGM KIT - GREENTECH (KIT 670)	1
1101.42	O-RING - INLET HOSE BARB	1			
1101.58	O-RING - BEARING FLANGE	1			
1101.68	O-RING - OIL RESERVOIR	1			
1101.85	O-RING - OIL RESERVOIR	1			

- Parts in 6062.16 (Kit 515)
- Parts in 6062.D9 (Kit 642)
- ◆ Parts in 6062.H2 (Kit 670)

Adjustable Pressure Regulator

Maximum Flow	47.3 GPM / 179.2 lpm
Maximum Pressure	1200 PSI / 81 bar
Inlet Ports	3/4" Male BSP
Outlet Ports	-
Bypass - Hose Barb	1" HB

606254	
KIT 553	
■	
<i>CODE</i>	<i>QTY</i>
090325	1
110101	1
110131	1
120413	1
150125	1
181001	1



Revised 1-17-2024

Part #	Description	Qty
0101.05	LEVER GUIDE	1
0202.04	1" BRASS ELBOW HOSE BARB	1
0204.24	VALVE BODY	1
0205.01	VALVE CYLINDER	1
0303.41	NUT	1
0501.51	FLANGE	1
0604.01	BARB NUT	1
0901.05	SPRING	1
0901.30	PRESSURE BAIL	1
0901.26	SPRING	1
0902.05	HANDLE	1
0903.25 ■	DIAPHRAGM	1
1101.01 ■	O-RING - BYPASS FLANGE	1
1101.05	O-RING - BYPASS HOSE BARB	1

Part #	Description	Qty
1101.31 ■	O-RING - VALVE BODY	1
1203.32	INLET ELBOW - 3/4" MALE BSP	1
1204.13	POPPET ■	1
1219.54	HANDLE COVER - RUBBER	1
1501.25	SEAT ■	1
1503.11	REGULATOR STEM	1
1507.07	PIN	2
1801.02	ADJUSTMENT KNOB	1
1805.36	BOLT	4
1810.01	BOLT - STAINLESS STEEL ■	1
GG1500	HIGH PRESSURE GAUGE (OPTIONAL)	1
6062.54	REPAIR KIT (KIT 553)	

■ Parts Included in Repair Kit #6062.54 (KIT 553)

OPERATING INSTRUCTIONS

1. Before operating or re-operating pump, lift R.V. Handle (0902.05) so pump will start at zero pressure.
FAILURE TO DO SO WILL VOID PUMP WARRANTY.
2. Turn Pressure Adjustment Knob (1801.02) counter-clockwise to relieve spring tension. (Step 2 is only necessary on initial start-up and is not necessary for daily operation.)
3. Start unit and let run until air is evacuated from system, when only liquid is expelled from the bypass line.
4. Return R.V. Handle (0902.05) to down position. Open spray gun or spray boom and turn adjustment knob (1801.02) clockwise until desired operating pressure is achieved.

All Dimensions are WITHOUT Control Unit or Regulator

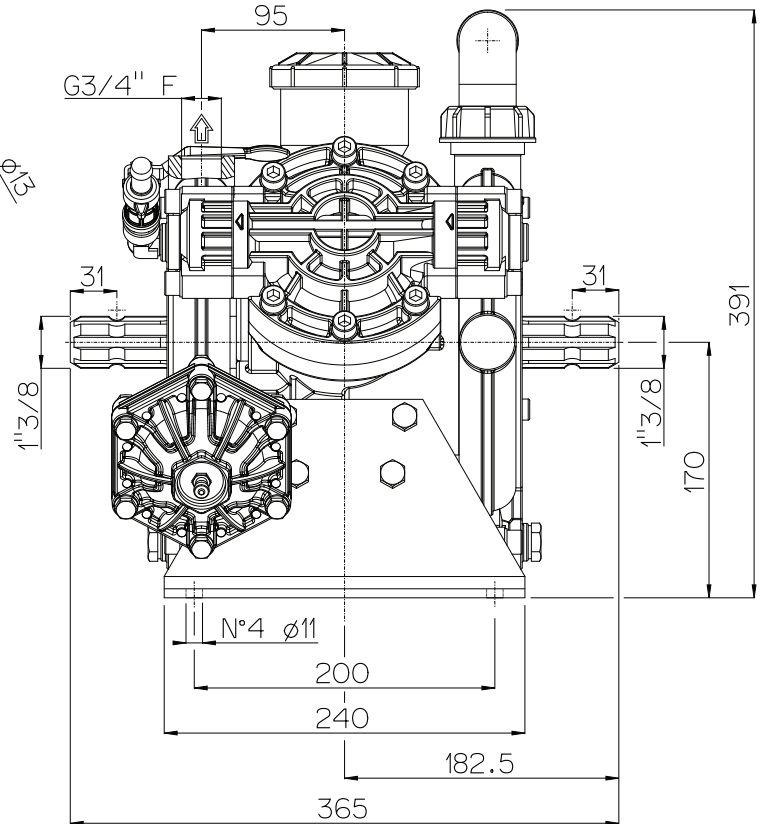
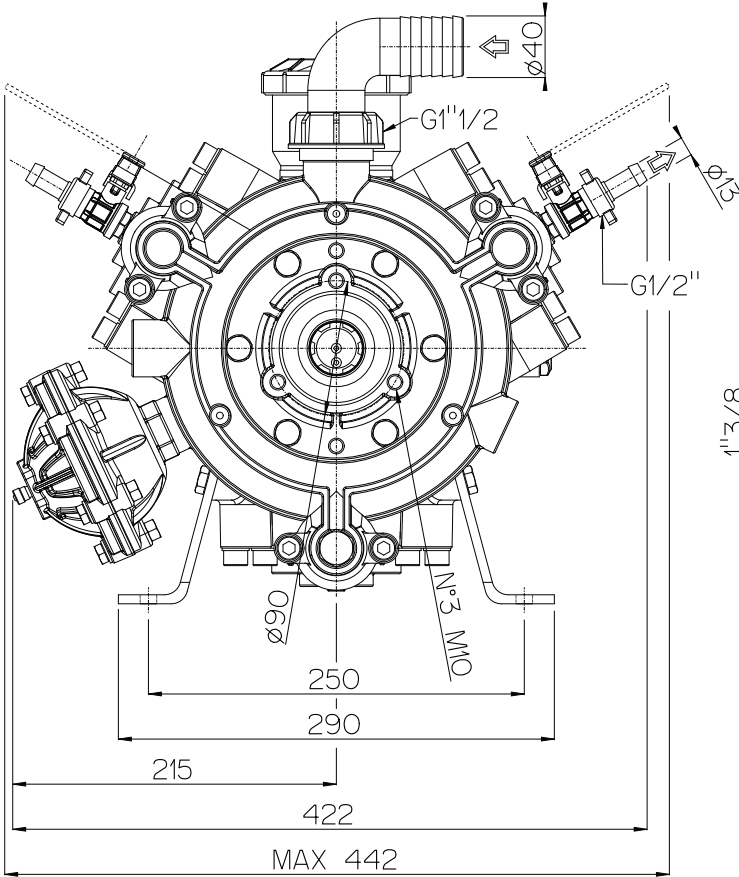
Dimensional Drawings are Shown in Millimeters. To Convert to Inches, Multiply Dimension x 0.03937

Specifications

OMEGA 135

Inlet Port	1-1/2" Hose Barb
Outlet Ports	(2) 1/2" Hose Barb Valve, 3/4" FPT
Bypass	1" Hose Barb
Dimensions	17.4"L x 15.5"W x 17.2"H
Diaphragm Material	GREENTECH (Std) Buna-N (Opt)

Lubrication: Requires 54 oz. of Udor Lube 40W Premium Pump Oil.
Alternate Oil: 30W non-detergent or 15W-40 non-detergent oil.



TORQUE SPECS

Ref.	Description	Ft./lb.	Nm
1	Diaphragm Bolts (Use Loctite 243)	22	30
2	Head Bolts	63	85
3	Pulsation Dampener Bolts	20	28
4	Bearing Flange Bolts	25	34
5	Oil Cup Bolts	7	10
6	Manifold Bolts - Aluminum/Brass	22	30

