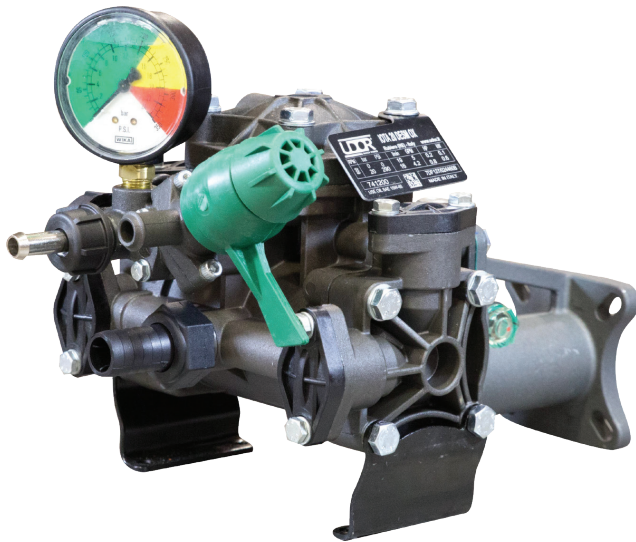




IOTA 18/20/25

2-Cylinder, Low-Pressure Diaphragm Pumps



IOTA 18, IOTA 20 & IOTA 25 low pressure, two diaphragm pumps are internally manifolded, with anodized aluminum and stainless steel construction. All models include pulsation dampener.

The IOTA 18 M includes a 1 HP, 115 volt electric motor and base plate.

The IOTA 20 GR & IOTA 25 GR include gear reductions for 3/4" shaft gasoline engines.

IOTA 18, IOTA 20 & IOTA 25 pumps are excellent for various lawn care, horticultural, agricultural, nursery, pest control and turf spraying applications.

Model	GPM	l/min	PSI	bar	RPM	Drive Configuration	Weight
IOTA 20	5.0	19.0	300	20	600	14 mm Tapered Shaft	9 LBS
IOTA 20 GR3/4	5.0	19.0	300	20	600	Gear Reduction for 3/4" Shaft Gas Engine, 4-6.5 HP	12 LBS
IOTA 25	7.0	24.0	300	20	600	25 mm Solid Keyed Shaft	10 LBS
IOTA 25 GR3/4	7.0	24.0	300	20	600	Gear Reduction for 3/4" Shaft Gas Engine, 4-6.5 HP	12 LBS
IOTA 18 M	4.8	18.0	200	20	600	115-Volt 1 HP Motor. Max 10 Amp	33 LBS
IOTA 18 E	-	-	-	-	-	Replacement Pump for IOTA-18/M	9 LBS
0908.31	-	-	-	-	-	Replacement Motor for IOTA-18/M	20 LBS

Specifications	IOTA 20	IOTA 25	Description	Part #
Inlet Port	3/4" Hose Barb	3/4" Hose Barb	Diaphragm Kit (GREENTECH)	6062.G1
Outlet Ports - Valve	1/2" Hose Barb	1/2" Hose Barb	Diaphragm Bolt & Washer Kit	6062.G2
Bypass	5/8" Hose Barb	5/8" Hose Barb	Valve Kit	6062.F9
Piston Diameter	44.0mm	44.0mm	Complete Repair Kit	8700.43CK
Crankshaft Stroke/Code	10.0mm / Y	13.0mm / W		
Dimensions	7.5"L x 12.5"W x 8.5"H			

Lubrication: Requires 7 oz. of Udor Lube 40W Premium Pump Oil.
Alternate Oil: 30W non-detergent or 15W-40 non-detergent oil.



6180 140th Avenue NW
Ramsey, MN 55303

Ph: 651-785-0666
Fax: 800-732-2670

www.udorusa.com
www.boominator.com
info@udorusa.com



Scan this QR Code
for More Information



IOTA
2024A

8700.01CK	
CODE	QTY
010202	2
030109	2
090308	1
090312	2
110110	4
110152	4
1101A2	1
1101G4	4
600621	4

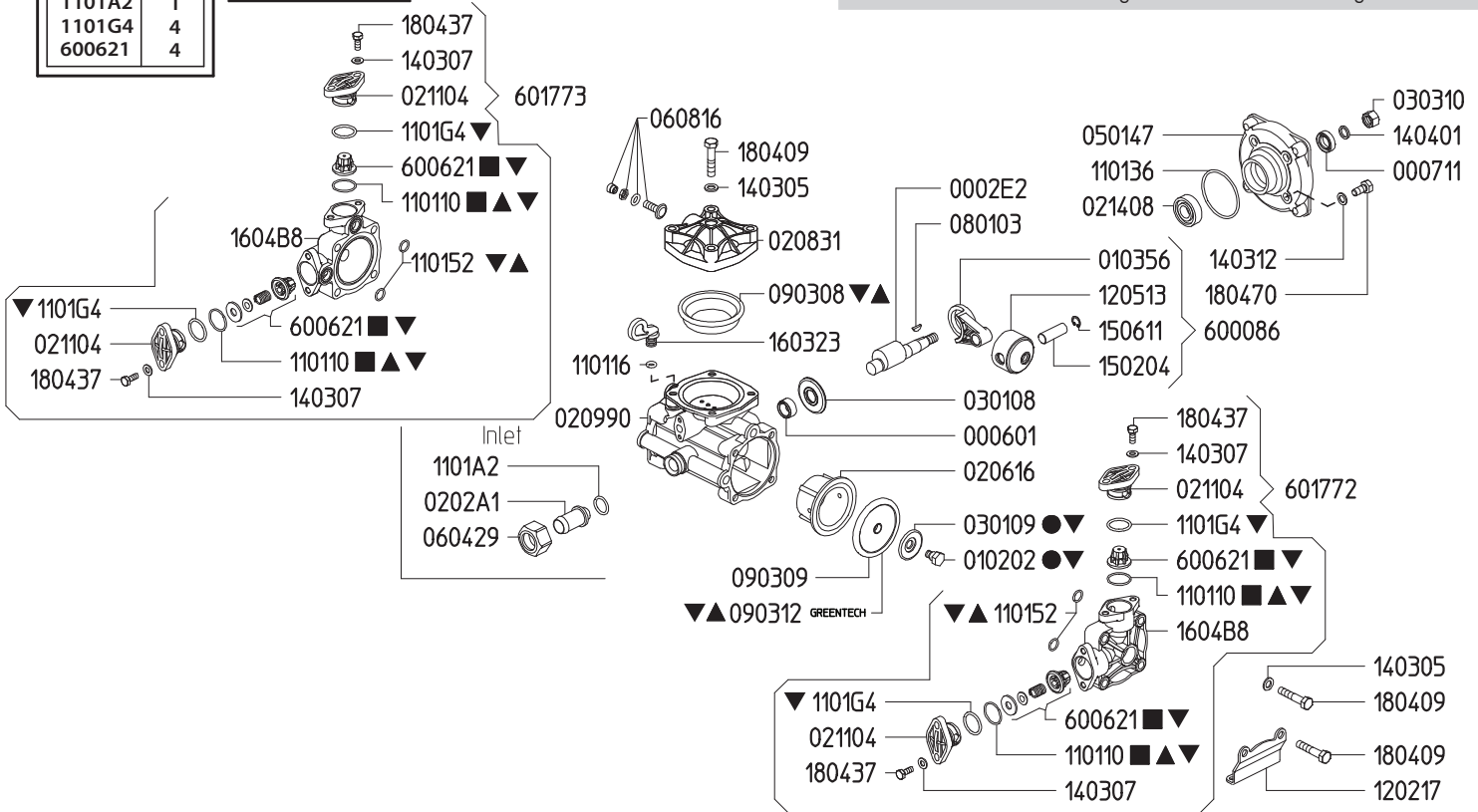
870001 KIT 629	
CODE	QTY
090308	1
090312	2
110110	4
110152	4

606238 KIT 537	
CODE	QTY
110110	4
600621	4

606240 KIT 539	
CODE	QTY
010202	2
030109	2

Maximum Flow	5.0 GPM / 19 lpm
Maximum Pressure	290 PSI / 20 bar
Maximum RPM	600
Inlet Port - Hose Barb	3/4" HB
Outlet Ports - Hose Barb, Valve	3/8" HB
Bypass - Hose Barb	5/8" HB
Dimensions - Pump Only	7.5"L x 12.5"W x 8.5"H
Weight - with GR	12 lbs

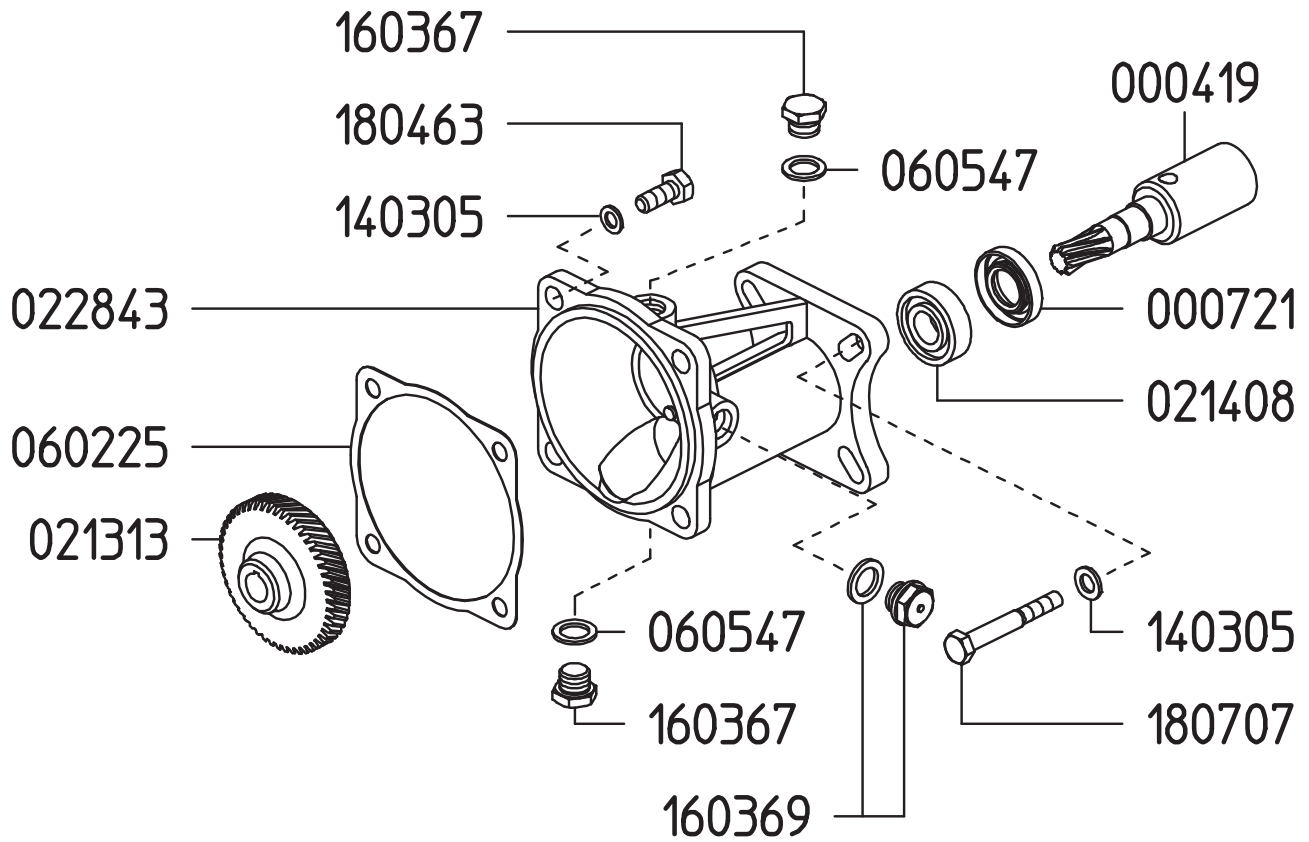
Lubrication: Requires 7 oz. of Udor Lube 40W Premium Pump Oil.
Alternate Oil: 30W non-detergent or 15W-40 non-detergent oil.



Revised 1-9-2024

Part #	Description	Qty	Part #	Description	Qty
0002.E2	SHAFT "IOTA 20"	1	1202.17	BASE PLATE "IOTA 20/25"	2
0006.01	BUSHING D15	1	1205.13	ALUMINIUM PISTON D44 "IOTA 20/25"	2
0007.11	OIL SEAL D14	1	1403.05	WASHER M8	8
0102.02	DIAPHRAGM BOLT "IOTA/KAPPA 15" ●▼	2	1403.07	WASHER M6	8
0103.56	CONNECTING ROD "IOTA 20/25"	2	1403.12	GASKET D8,5	4
0202.A1	HOSE BARB D20	1	1404.01	GROWER WASHER D11	1
0206.16	SLEEVE D44 "IOTA 20"	2	1502.04	PIN D12X35	2
0208.31	ACCUMULATOR COVER "IOTA 20/25"	1	1506.11	SNAP RING D12	2
0209.90	CRANKCASE "IOTA 20/25"	1	1603.23	OIL PLUG W/O O-RING	1
0211.04	COVER "IOTA 20/25"	4	1604.B8	HEAD "IOTA 20/25"	2
0214.08	BALL BEARING D15	1	1804.09	HEX BOLT M8X40	12
0301.08	BEARING DISC "IOTA 20/25"	1	1804.37	HEX BOLT M6X18	8
0301.09	DIAPHRAGM DISC "IOTA 20/25" ●▼	2	1804.70	HEX BOLT M8X18	4
0303.10	HEX NUT M10X1X10	1	6000.86	ROD ASSY "IOTA 20/25" D44	2
0501.47	BEARING FLANGE "IOTA 20"	1	6006.21	VALVE ASSY "IOTA 20/25" W/T O-RING ■▼	4
0604.29	PLASTIC NUT G3/4	1	6017.72	RIGHT HEAD ASSY "IOTA 20/25"	1
0608.16	AIR VALVE ASSY	1	6017.73	LEFT HEAD ASSY "IOTA 20/25"	1
0801.03	KEY 3X5 UNI6606 DIN6888	1	6062.38	IN/OUTLET VALVE KIT "IOTA" (KIT 537)	1
0903.08	ACCUMULATOR DIAPH "IOTA/KAPPA 25/55" ▼▲	1	6062.40	DIAPHRAGM BOLT / WASHER (KIT 539)	1
0903.09	PISTON DIAPHRAGM BUNA-N D70	2	8700.01	DIAPHRAGM KIT GREENTECH (KIT 629)	1
0903.12	PISTON DIAPHRAGM GREENTECH D70 ▲▼	2	8700.01CK	COMPLETE REPAIR KIT	1
1101.10	O-RING - VALVE ▼▲■	4	■	Parts in 6062.38 (Kit 537)	
1101.16	O-RING - OIL PLUG	1	●	Parts in 6062.40 (Kit 539)	
1101.36	O-RING - BEARING FLANGE	1	▲	Parts in 8700.01 (Kit 629)	
1101.52	O-RING - HEAD ▲▼	4	▼	Parts in 8700.01 (Complete Repair Kit)	
1101.A2	O-RING - INLET HOSE BARB ▼	1			
1101.G4	O-RING - VALVE COVER ▼	4			

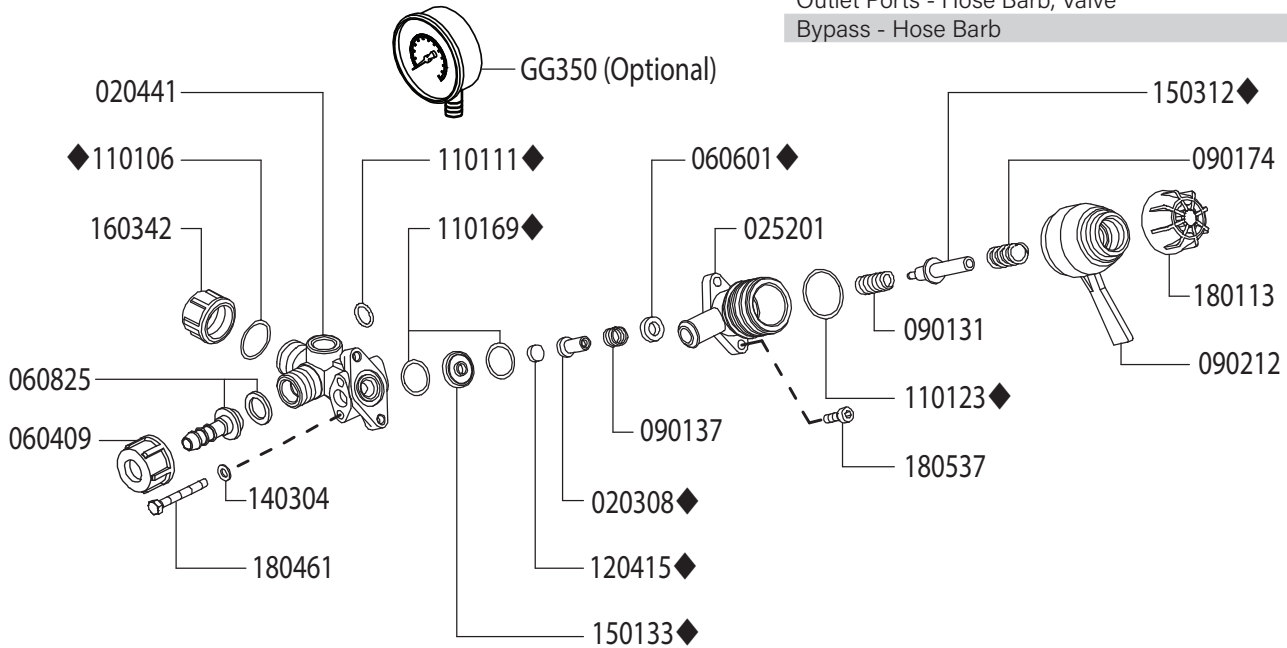
**GAS ENGINE GEAR REDUCTION FOR
IOTA-20 DIAPHRAGM PUMPS
on GAS ENGINES with 3/4" SHAFTS**
REQUIRES 3 OZ. 90W GEAR LUBE



Part #	Description	Qty	Part #	Description	Qty
0004.19	GEAR SHAFT "S124-3/4"/S151-3/4"	1	0605.47	GASKET D13	2
0007.21	OIL SEAL D17	1	1403.05	WASHER D8.4	8
0213.13	RED.GEAR WHEEL Z=40 "S151"	1	1603.67	PLUG G1/4	2
0214.08	BALL BEARING D15	1	1603.69	OIL PLUG G1/4 + GASKET	1
0228.43	COUPLER "S151"	1	1804.63	HEX BOLT M8X25	4
0602.25	GASKET "IOTA-20"	1	1807.07	HEX BOLT 5/16X1" UNF	4

Adjustable Pressure Regulator

Maximum Flow	5.0 GPM / 19 lpm
Maximum Pressure	275 PSI / 19 bar
Inlet Port - Hose Barb	-
Outlet Ports - Hose Barb, Valve	3/8" HB
Bypass - Hose Barb	-



Revised 11-17-2023

Part #	Description	Qty
0203.08	VALVE COLLAR ◆	1
0204.41	VALVE BODY	1
0252.01	BYPASS BODY	1
0604.09	DISCHARGE BARB NUT	1
0606.01	SEAL ◆	1
0608.25	DISCHARGE BARB	1
0901.06	SPRING	1
0901.31	SPRING	1
0901.37	SPRING	1
0901.74	SPRING	1
0902.12	REGULATOR HANDLE	1
1101.06	O-RING ◆	1
1101.11	O-RING ◆	1
1101.23	O-RING ◆	1

Part #	Description	Qty
1101.69	O-RING ◆	2
1204.15	POPPET ◆	1
1403.04	WASHER	2
1501.33	SEAT ◆	1
1503.12	STEM ◆	1
1603.42	CAP	1
1801.13	ADJUSTMENT KNOB	1
1804.61	BOLT	2
1805.37	BOLT	2
GG350	LOW PRESSURE GAUGE (OPTIONAL)	1
8701.01	REPAIR KIT	1

◆ Parts included in repair kit #8701.01

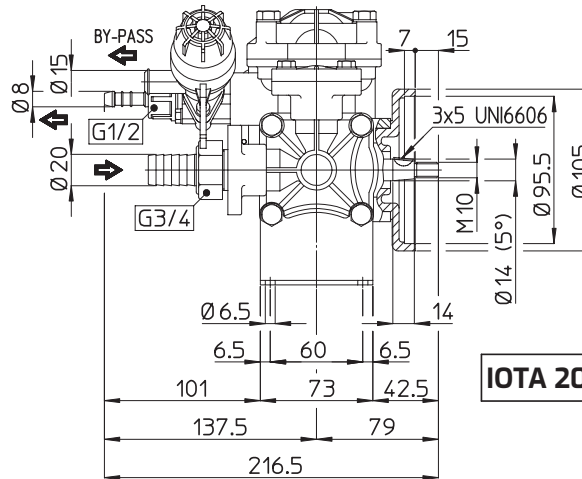
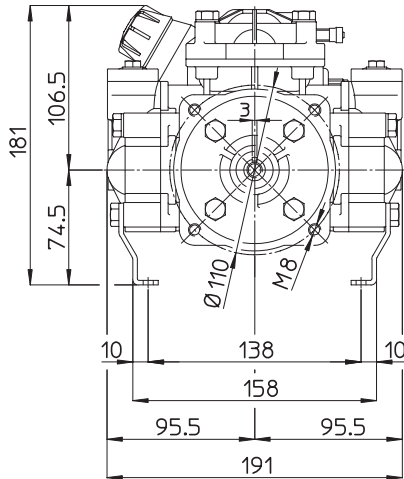
1. Before operating or re-operating the pump, push the manual dump valve lever (0902.12) counter-clockwise to the dump position. **FAILURE TO DO SO WILL VOID PUMP WARRANTY.**
2. Turn the pressure adjustment knob (1801.13) counter-clockwise to relieve spring tension.
NOTE: Step 2 applies only to initial start-up, and is not necessary in daily operation of pump.
3. Start unit and let run until air is evacuated from system, when only liquid is expelled from the bypass line
4. Turn dump valve lever clockwise to ON position. Open spray gun or spray boom and turn the pressure adjustment knob clockwise until desired operating pressure is achieved.

IOTA 18/20/25 DIMENSIONS

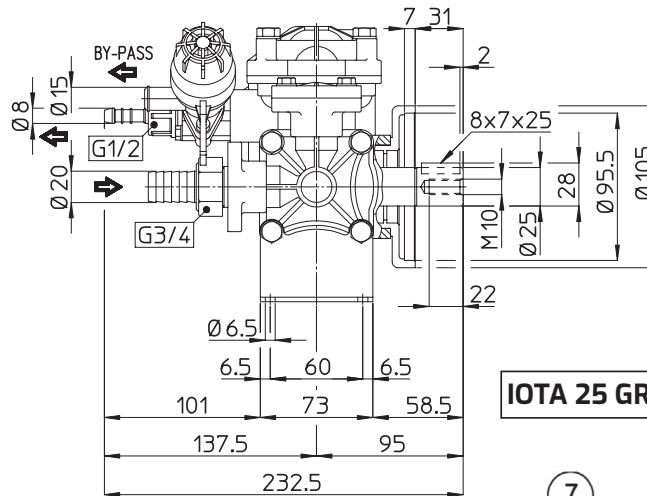
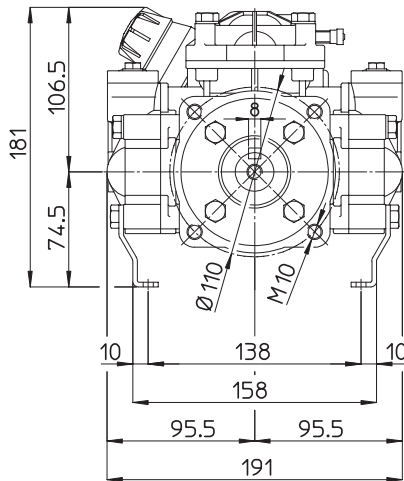
Dimensional Drawings are
Shown in Millimeters.
To Convert to Inches,
Multiply Dimension x 0.03937

Specifications	IOTA 20	IOTA 25
Inlet Port - Hose Barb	3/4" HB	3/4" HB
Outlet Ports - Hose Barb	1/2" HB	1/2" HB
Bypass - Hose Barb	5/8" HB	5/8" HB
Dimensions	7.5"L x 12.5"W x 8.5"H	
Diaphragm Material	GREENTECH (Std) Buna-N (Opt)	

Lubrication: Requires 7 oz. of Udor Lube 40W Premium Pump Oil.
Alternate Oil: 30W non-detergent or 15W-40 non-detergent oil.



IOTA 20



IOTA 25 GR

TORQUE SPECS

Ref.	Description	Ft./lb.	Nm
1	Diaphragm Bolts (Use Loctite 243)	10	14
2	Head Bolts	18	25
3	Pulsation Dampener Bolts	18	25
4	Inlet Flange Bolts	-	-
5	Bearing Flange Bolts	18	25
6	Oil Cup Bolts	-	-

