



# GAMMA 155 SERIES

1-3/8" 6 Spline PTO x

1-3/8" 6 Spline PTO Thru Shaft

600 RPM



- Anodized Aluminum Crankcase
- High Strength Aluminum Connecting Rods
- Solid Ceramic Plungers
- Stainless Steel Check Valves
- 1-1/2" Hose Barb Inlet.
- (2) 3/4" BSP-F Outlet
- 128 oz. Capacity Vented Oil Bath Crank Case
- Max Fluid Temp, 160°F

TS 2C  
1-3/8" PTO x  
1-3/8" PTO



## GAMMA 155 Series Plunger Pumps

GAMMA 155 Series industrial duty plunger pumps are rated at 22.5 GPM and pressures up to 870 PSI.

Pumps are available with a 1-3/8" male PTO x 1-3/8" male PTO through shaft.

Applications include fire fighting,, construction, de-icing and orchard spraying.

	Model	Flow		Pressure		Plunger Dia.	Crankshaft		Power	Seal Kit	Valve Kit	Wt.
		GPM	l/min	PSI	bar		Stroke	Code				
600 RPM	GAMMA 155 TS 2C	39.0	153.0	725	50	55mm	38.0mm	V	28.9 EBHP	6062.G5	6061.Q4	84 lbs



6180 140th Avenue NW  
Ramsey, MN 55303

Ph: 651-785-0666  
Fax: 800-732-2670

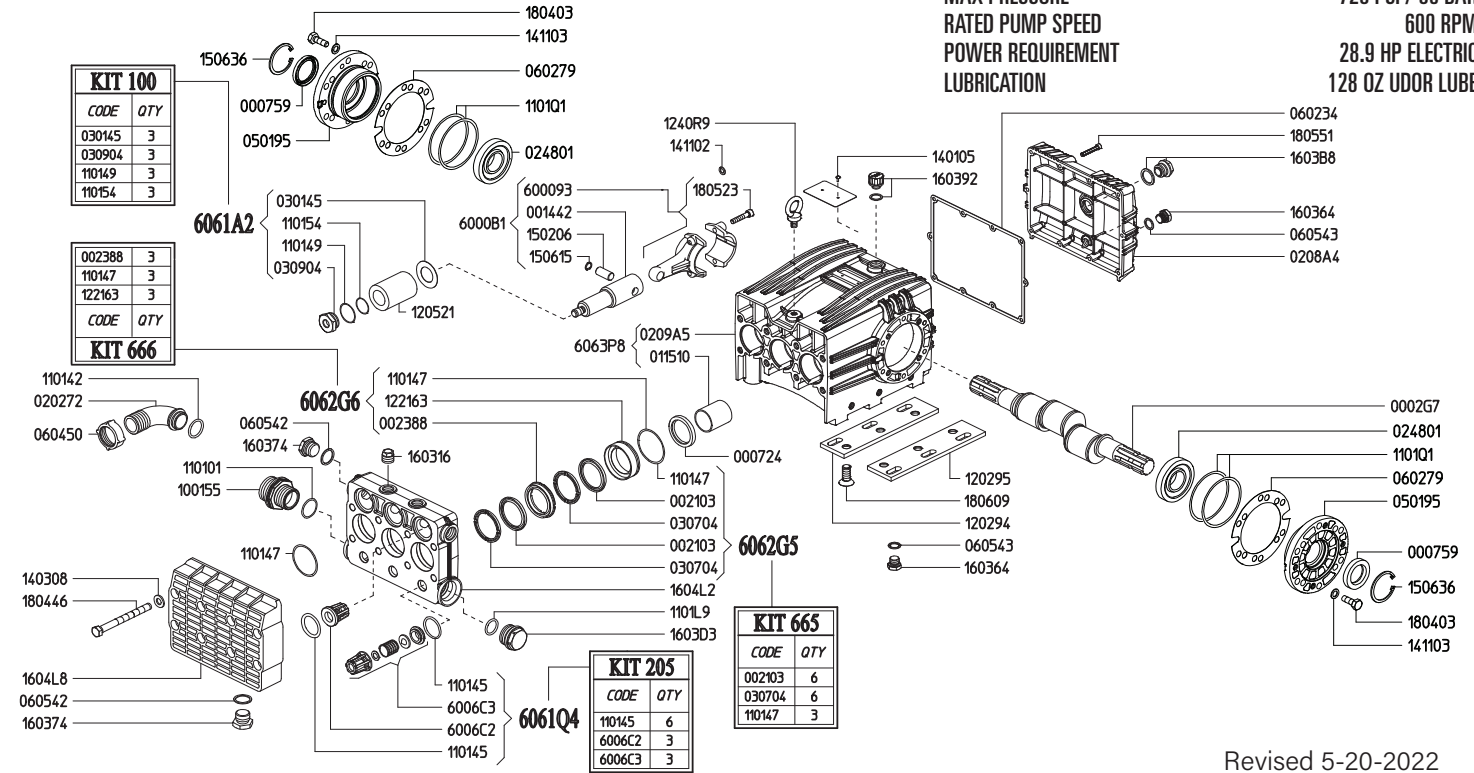
www.udorusa.com  
www.boominator.com  
info@udorusa.com



Scan this QR Code  
for More Information

G155TS  
2024A

**MAX FLOW** 39.0 GPM / 153.0 L/MIN  
**MAX PRESSURE** 725 PSI / 50 BAR  
**RATED PUMP SPEED** 600 RPM  
**POWER REQUIREMENT** 28.9 HP ELECTRIC  
**LUBRICATION** 128 OZ UDOR LUBE



Revised 5-20-2022

Part #	Description	Qty
0002.G7	SHAFT TS2C	1
0007.24	OIL SEAL D40	3
0007.59	OIL SEAL D35	2
0014.42	PLUNGER GUIDE	3
0021.03	PISTON SEAL RING D55 <sup>C</sup>	6
0023.88	UPPER RING D55 <sup>D</sup>	3
0115.10	BUSHING D40	3
0202.72	HOSE BARB D40	1
0208.A4	BACK COVER	1
0209.A5	CRANKCASE	1
0248.01	ROLLER BEARING D35	2
0301.45	DISC <sup>A</sup>	3
0307.04	SPACER RING D55 <sup>C</sup>	6
0309.04	NUT D50 <sup>A</sup>	3
0501.95	BEARING FLANGE	2
0602.34	BACK COVER GASKET	1
0602.79	FLANGE GASKET	2
0604.50	PLASTIC NUT G1-1/2"	1
0605.42	GASKET D27	3
0605.43	GASKET D17	2
1001.55	NIPPLE G 1-1/2" M - G 1-1/4" M	1
1101.01	O-RING - INLET NIPPLE	1
1101.42	O-RING - INLET HOSE BARB	1
1101.45	O-RING - VALVE <sup>B</sup>	6
1101.47	O-RING - SPLIT MANIFOLD	3
1101.47	O-RING - PRESSURE RING <sup>C,D</sup>	3
1101.49	O-RING - PLUNGER BOLT OUTER <sup>A</sup>	3
1101.54	O-RING - PLUNGER BOLT INNER <sup>A</sup>	3
1101.L9	O-RING - INLET PLUG	2
1101.Q1	O-RING - BEARING FLANGE	4
1202.94	LEFT BASE PLATE	1
1202.95	RIGHT BASE PLATE	1
1205.21	CERAMIC PLUNGER D55	3

Part #	Description	Qty
1221.63	PRESSURE RING D55 <sup>D</sup>	3
1240.R9	LIFTING HOOK M10	1
1401.05	RIVET UNI7346-3,5X8	2
1403.08	WASHER D13	8
1411.02	SERATED WASHER D8	6
1411.03	SERATED WASHER D10	8
1502.06	PIN D15X32.3	3
1506.15	SNAP RING D15	3
1506.36	SNAP RING D55	2
1603.16	PLUG G1/2	2
1603.64	PLUG G3/8	2
1603.74	PLUG G3/4	3
1603.92	OIL PLUG G1/2	1
1603.B8	OIL PLUG G3/4 + GASKET	1
1603.D3	PLUG G1-1/4"	1
1604.L2	MIDDLE HEAD	1
1604.L8	FRONT HEAD	1
1804.03	HEX BOLT M10X30	8
1804.46	HEX BOLT M12X130	8
1805.23	ALLEN BOLT M8X40	6
1805.51	ALLEN BOLT M6X40	10
1806.09	SCREW M14X35	6
6000.93	ROD ASSEMBLY	3
6006.C2	OUTLET VALVE ASSEMBLY W/O O-RING <sup>B</sup>	3
6006.C3	INLET VALVE ASSEMBLY W/O O-RING <sup>B</sup>	3
6063.P8	CRANKCASE ASSEMBLY	1
6061.A2	PLUNGER KIT (KIT 100)	1
6061.Q4	VALVE KIT (KIT 205)	1
6062.G5	WATER SEAL KIT (KIT 665)	1
6062.G6	BRASS RING KIT (KIT 666)	1

<sup>A</sup> Parts in 6061.A2 (Kit 100).

<sup>B</sup> Parts in 6061.Q4 (Kit 205).

<sup>C</sup> Parts in 6062.G5 (Kit 665).

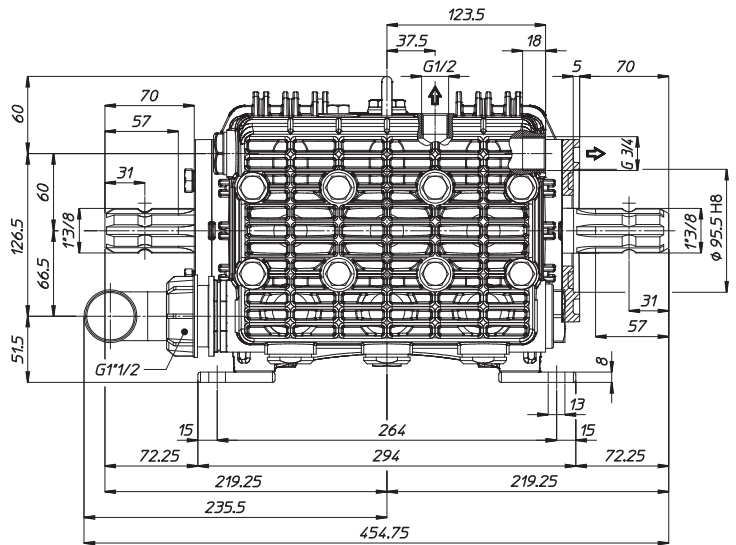
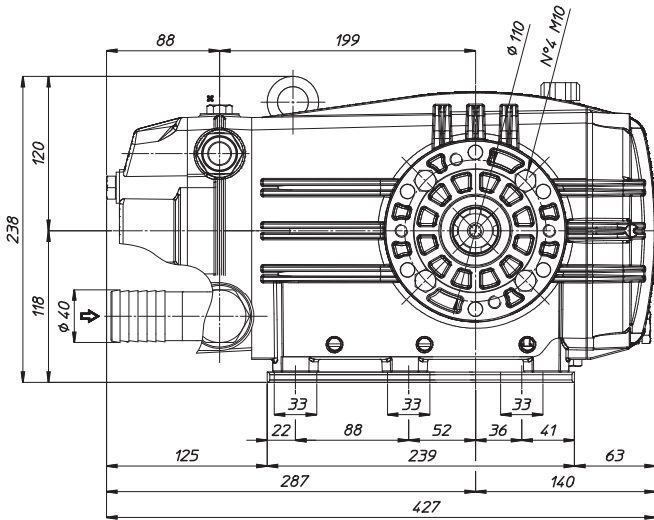
<sup>D</sup> Parts in 6062.G6 (Kit 666).



# GAMMA 155 DIMENSIONS

WEIGHT ..... 84 LBS  
 LUBRICATION ..... 128 OZ UDOR LUBE  
 SHAFT OPTIONS  
 TS2C ..... 1-3/8" 6-Spline Male PTO Thru-Shaft

*Dimensional Drawings are  
 Shown in Millimeters.  
 To Convert to Inches,  
 Multiply Dimension x 0.03937*



## TORQUE SPECS

Ref.	Description	Ft./lb.	Nm	Loctite®
1	Head Bolts	66	90	-
2	Valve Caps	-	-	-
3	Inlet Cap	133	180	-
4	Outlet Cap	103	140	243
5	Bearing Flange Bolts	37	50	-
6	Rear Cover Bolts	8	11	-
7	Connecting Rod Bolts	19	25	243
8	Plunger Bolts	48	65	243
9	Valve Cover Bolts	-	-	-
10	Oil Drain Plug	8	11	-

