

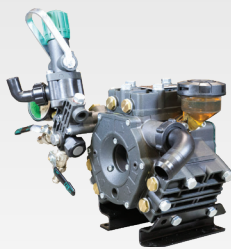
Scan this QR Code for more information



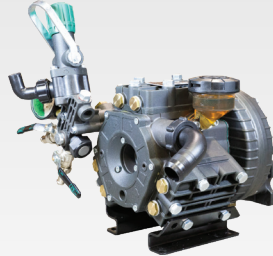
GREENTECH Diaphragms Standard. Buna-N Optional.

KAPPA 55 3-cylinder, medium pressure diaphragm pumps are internally manifolded with anodized aluminum construction and anodized aluminum and stainless steel liquid handling parts.

KAPPA 55 pumps are excellent choices for various horticultural, agricultural, lawn care, nursery, pest control and turf spraying applications. They are also effectively used for aircraft de-icing, hydrostatic testing and cleaning applications.



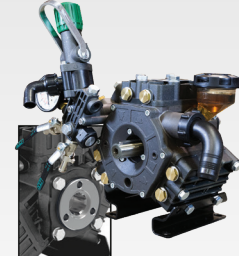
KAPPA 55 VA



KAPPA 55 VAGR3/4

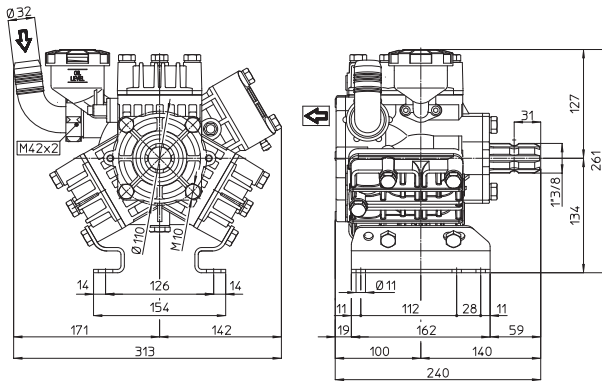


KAPPA 55 VAGR1



KAPPA 55 TSFVA

Model	GPM	l/min	PSI	bar	RPM	Drive Configuration	Weight
KAPPA 55 VA	15.0	57.0	560	38	550	Universal VA Drive Face. Mounting Rails	37 LBS
KAPPA 55 VAGR3/4	15.0	57.0	350	24	550	Gear Reduction for 3/4" Shaft Gas Engine, 4-6.5 HP	47 LBS
KAPPA 55 VAGR1	15.0	57.0	560	38	550	Gear Reduction for 1" Shaft Gas Engine, 8-20 HP	47 LBS
KAPPA 55 TSFVA	15.0	57.0	560	38	550	Universal VA Drive Face x 25 mm Solid Keyed Shaft	37 LBS



Dimensional Drawings are Shown in Millimeters. To Convert to Inches, Multiply Dimension x 0.03937

Specifications KAPPA 55

Inlet Port	1-1/4" Hose Barb
Outlet Ports	(2) 1/2" Hose Barb
Bypass	3/4" Hose Barb
Piston Diameter	55mm
Crankshaft Stroke/Code	15.0mm / T
Dimensions	9.5"L x 12.5"W x 10.5"H

Lubrication: Requires 23 oz. of Udor Lube 40W Premium Pump Oil. Alternate Oil: 30W non-detergent or 15W-40 non-detergent oil.

QUICK REFERENCE SERVICE PARTS

Description	Part #
Diaphragm Kit (GREENTECH)	8700.26
Diaphragm Bolt/Washer Kit	6062.48
Valve Kit	6062.46
Regulator Repair Kit	6062.55
Complete Repair Kit	8700.26CK

Recommended Accessories and Drive Options



5100.04
Gear Reduction
1" Shaft Gas Engine



5027.75
Gear Reduction
3/4" Shaft Gas Engine



6010.24
Control Unit
Regulator - 560 PSI



7753.A6
1-1/8" Male PTO
Shaft and Bolts



7751.A3
1" Solid Keyed
Shaft and Bolts



15.5823
Udor Lube
Premium Pump Oil