



Scan this QR Code for more information



**GREENTECH** Diaphragms Standard. Buna-N Optional.

DELTA 140 3-cylinder, high pressure diaphragm pumps are internally manifolded with anodized aluminum construction and anodized aluminum and stainless steel liquid handling parts. Includes mounting rails and 6005.05 control unit with pressure gauge.

DELTA 140 pumps are excellent choices for various horticultural, agricultural, lawn care, nursery, pest control and turf spraying applications. They are also effectively used for aircraft de-icing, hydrostatic testing and cleaning applications.



DELTA 140 TS2C



DELTA 140 TSMFVA



DELTA 140 GR1



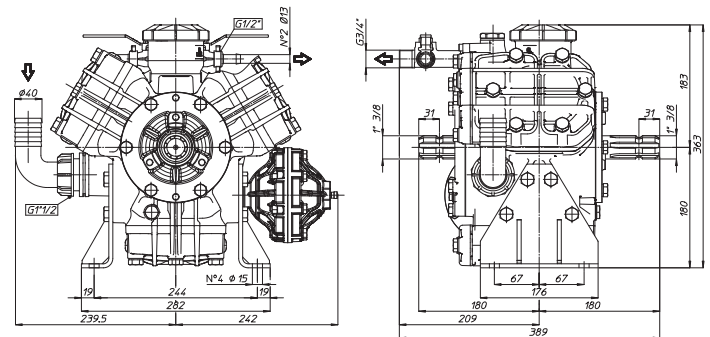
Model	GPM	l/min	PSI	bar	RPM	Drive Configuration	Weight
DELTA 140 TS2C	36.4	138.0	725	49	550	1-3/8" 6-Spline Male PTO Thru-Shaft	95 LBS
DELTA 140 TSMFVA	36.4	138.0	725	49	550	1-3/8" 6-Spline Male PTO x Universal VA Face	95 LBS
DELTA 140 GR1	36.4	138.0	725	49	550	Gear Reduction for Gas Engines with 1" Shaft, 8-20 HP	115 LBS

**Specifications**

**DELTA 140**

Inlet Port	1-1/2" Hose Barb
Outlet Ports	(2) 1/2" Hose Barb
Bypass	1" Hose Barb
Piston Diameter	75mm
Crankshaft Stroke/Code	19.0mm / U
Dimensions	19.0"L x 15.5"W x 14.5"H

**Lubrication:** Requires 54 oz. of Udor Lube 40W Premium Pump Oil.  
Alternate Oil: 30W non-detergent or 15W-40 non-detergent oil.



**QUICK REFERENCE SERVICE PARTS**

Description	Part #
Diaphragm Kit (GREENTECH)	6062.H5
Diaphragm Bolt / Washer Kit	6062.16
Valve Kit	6062.H6
Regulator Repair Kit	6062.53
Complete Repair Kit	8700.83CK

Dimensional Drawings are Shown in Millimeters.  
To Convert to Inches,  
Multiply Dimension x 0.03937

**Recommended Accessories and Drive Options**



**6005.05**  
Control Unit  
Regulator



**5034.B5**  
Gear Reduction  
1" Shaft Gas Engine



**6066.09**  
Shaft Protector  
and Mounting Bolts



**UD1-1/2-16**  
HI-Flow Filter  
16 Mesh Screen



**7753.A6**  
1-1/8" Male PTO  
Shaft and Bolts



**15.5823**  
Udor Lube  
Premium Pump Oil