

- Solid Ceramic Plungers
- Stainless Steel Check Valves
- Heavy Duty Brass Manifold
- Heavy Duty Bronze Connecting Rods
- Deeper Back Cover for Increased Oil Capacity
- 34.5 oz. Capacity Vented Oil Bath Crank Case
- 3/4" BSP-F Inlet. 3/8" BSP-F Outlet
- Max Fluid Temp, 160°F

CXC Series 24mm Keyed Solid Shaft Plunger Pumps

CXC Series super duty plunger pumps include a wide range of models with flow rates from 4.0 to 5.8 GPM and pressures up to 7250 PSI.

Other drive options include gas engine gear reduction.

Applications include general pressure cleaning,, construction, hydro-excavation and oil field applications.

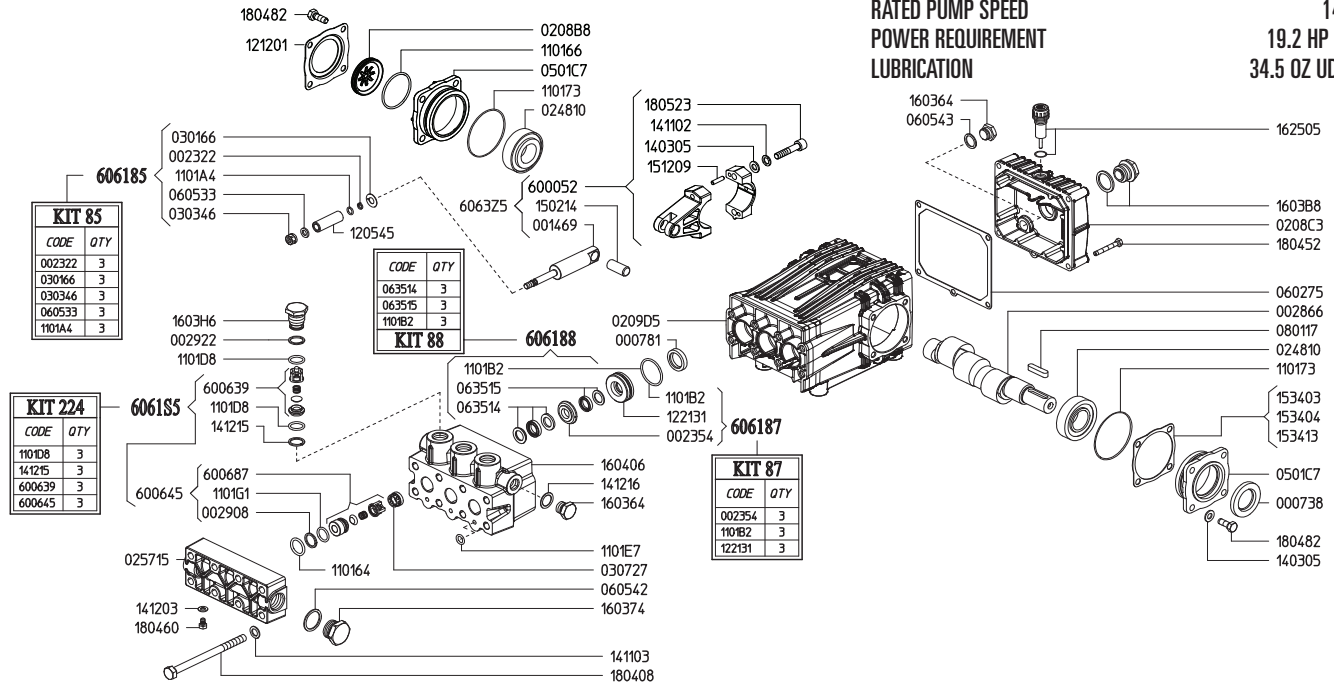
	Model	Flow		Pressure		Plunger Dia.	Crankshaft		Power	Seal Kit	Valve Kit	Wt.
		GPM	l/min	PSI	bar		Stroke	Code				
1450 RPM	CXC 15/50 S	4.0	15.0	7250	500	15mm	21.0mm	E	19.2 EBHP	6061.88	6061.S5	52 lbs
	CXC 18/50 S	4.8	18.0	7250	500	18mm	17.0mm	Y	23.1 EBHP	6061.G2	6061.S5	52 lbs
	CXC 22/50 S	5.8	22.0	7250	500	18mm	21.0mm	E	28.2 EBHP	6061.G2	6061.S5	52 lbs

NOTE: All pump models available with left-hand drive option. Add 'L' to model number when ordering (ex. CXC 22/50 SL)



MAX FLOW
MAX PRESSURE
RATED PUMP SPEED
POWER REQUIREMENT
LUBRICATION

4.0 GPM / 15.0 L/MIN
7250 PSI / 500 BAR
1450 RPM
19.2 HP ELECTRIC
34.5 OZ UDOR LUBE



Revised 2-22-2022

Part #	Description	Qty	Part #	Description	Qty
0007.38	OIL SEAL D30	1	1221.31	PRESSURE RING D15 ^D	3
0007.81	OIL SEAL D20	3	1403.05	WASHER D8.4	10
0014.69	PLUNGER GUIDE D15 "CX/CH"	3	1411.02	SERRATED WASHER D8	6
0023.22	RING D6.3 ^B	3	1411.03	SERRATED WASHER D10	8
0023.54	UPPER RING D15 ^D	3	1412.03	SERRATED WASHES D10	1
0028.66	MALE SHAFT "CX" D24	1	1412.15	RING 400BAR ^A	3
0029.08	RING	3	1412.16	BONDED WASHER D17.3	1
0029.22	RING D15.2	3	1502.14	PIN D14X32	3
0208.B8	OIL SIGHT GLASS	1	1512.09	PLUG D5X20 UN11707	6
0208.C3	BACK COVER "C/CK/CX"	1	1534.03	SHIM 0.1 MM	-
0209.D5	CRANKCASE "C/CK/CH/CX"	1	1534.04	SHIM 0.2 MM	-
0248.10	ROLLER BEARING D30	2	1534.13	SHIM 0.05 MM	-
0257.15	SUCTION MANIFOLD "CX"	1	1603.64	PLUG G3/8	2
0301.66	SLINGER RING ^B	3	1603.74	PLUG G3/4	1
0303.46	NUT D15 ^B	3	1603.B8	OIL PLUG G3/4 + GASKET	1
0307.27	SPACER	3	1603.H6	VALVE PLUG "CK/CX" PISTON D20	3
0501.C7	BEARING HOLLOW FLANGE	2	1604.06	HEAD "CX" D15	1
0602.75	BACK COVER GASKET	1	1625.05	OIL PLUG G3/8	1
0605.33	GASKET D8 ^B	3	1804.08	HEX BOLT M10X140	8
0605.42	GASKET D27	1	1804.09	HEX BOLT M8X40	6
0605.43	GASKET D17	1	1804.52	HEX BOLT M6X45	5
0635.14	HIGH PRESS. SEAL KIT D15 ^C	3	1804.60	HEX BOLT M6X10	1
0635.15	LOW PRESS. SEAL KIT D15 ^C	3	1804.82	HEX BOLT M8X22	8
0801.17	KEY A8X7X35	1	6000.41	ROD ASSEMBLY	3
1101.64	O-RING - INLET VALVE	3	6006.39	VALVE ASSY 400BAR W/O O-RING ^A	3
1101.66	O-RING - OIL SIGHT GLASS	1	6006.45	SUCTION VALVE ASSEMBLY COMPLETE ^A	3
1101.73	O-RING - BEARING FLANGE	2	6006.87	SUCTION VALVE ASSEMBLY	3
1101.A4	O-RING - PLUNGER BOLT ^B	3	6061.85	PLUNGER KIT D15 (KIT 85)	
1101.B2	O-RING - PRESSURE RING ^{C,D}	3	6061.87	BRASS RING KIT (KIT 87)	
1101.D8	O-RING - DISCHARGE VALVE ^A	3	6061.88	WATER SEAL KIT (KIT 88)	
1101.D8	O-RING - DISCHARGE VALVE	3	6061.S5	VALVE KIT D15/18 "CX" (KIT 224)	
1101.E7	O-RING - SPLIT MANIFOLD	3			
1101.G1	O-RING - INLET VALVE	3			
1205.45	CERAMIC PLUNGER D15	3			
1212.01	RETAINER - OIL SIGHT GLASS	1			

^A Parts in 6061.S5 (Kit 224).

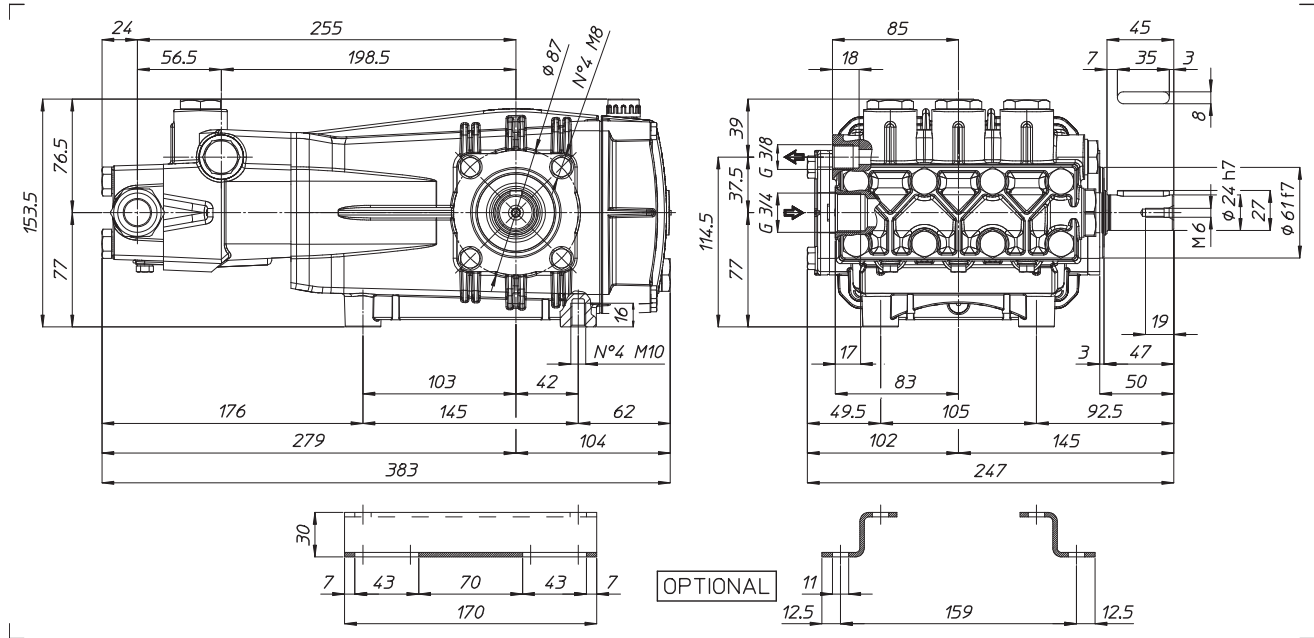
^B Parts in 6061.85 (Kit 85).

^C Parts in 6061.88 (Kit 88).

^D Parts in 6061.87 (Kit 87).

*Dimensional Drawings are
Shown in Millimeters.
To Convert to Inches,
Multiply Dimension x 0.03937*

CX SERIES PUMPS - 24mm SOLID SHAFT



TORQUE SPECS

Ref.	Description	Ft./lb.	Nm	Loctite®
1	Head Bolts	37	50	-
2	Valve Caps	-	-	-
3	Inlet Cap	103	140	-
4	Outlet Cap	60	80	243
5	Bearing Flange Bolts	19	25	-
6	Rear Cover Bolts	8	11	-
7	Connecting Rod Bolts	19	25	270
8	Plunger Bolts	15	20	270
9	Valve Cover Bolts	37	50	-
10	Oil Drain Plug	8	11	-

