

- 316 Stainless Steel Manifolds
- 316 Stainless Steel Valves
- 316 Stainless Steel Plunger Rods & Nuts
- 304 Stainless Steel Exterior Bolts
- Solid Ceramic Plungers
- PTFE Style Packings
- 34.5 oz. Capacity Vented Oil Bath Crank Case
- 3/4" BSP-F Inlet. 1/2" BSP-F Outlet - Below 10 GPM
- 1" BSP-F Inlet. 1/2" BSP-F Outlet - Over 10 GPM
- Max Fluid Temp, 160°F

CSC Series 24mm Keyed Solid Shaft Plunger Pumps

CSC Series stainless steel plunger pumps include a wide range of models with flow rates from 7.1 to 13.2 GPM and pressures up to 2900 PSI.

These pumps feature stainless steel wetted and exterior components to withstand the harsh environment of salt water applications.

CSC Series pumps are well suited for de-salination, disinfecting and food/pharma applications.

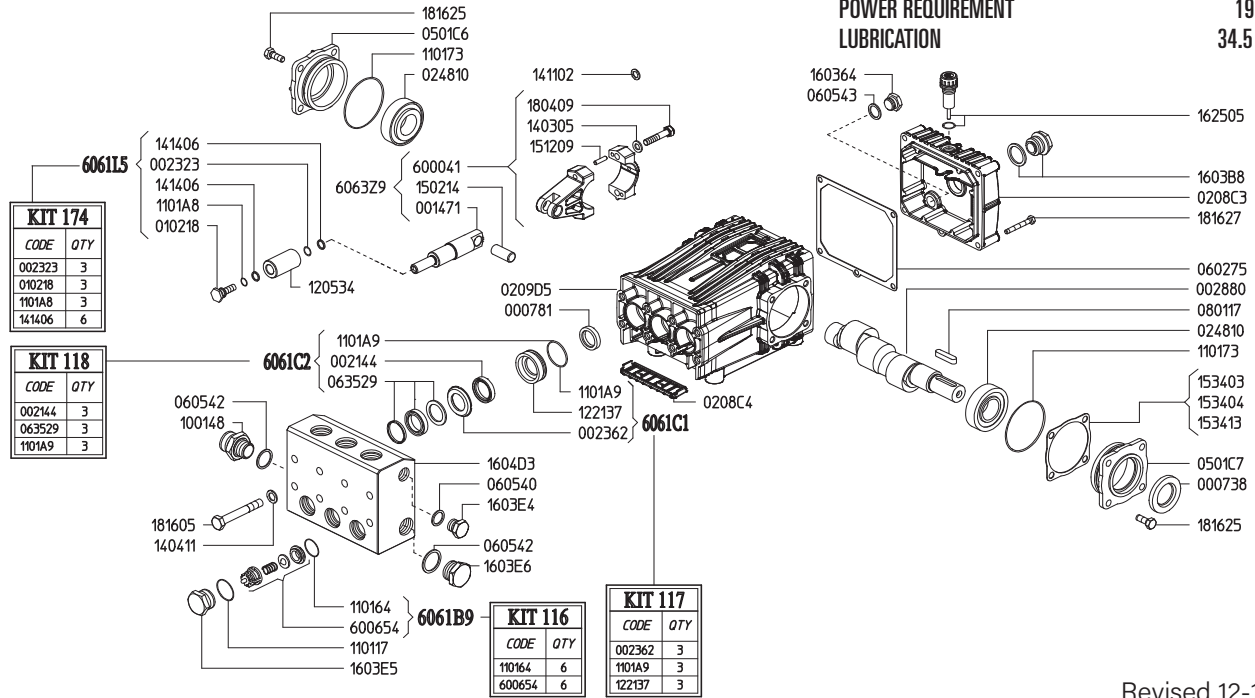
	Model	Flow		Pressure		Plunger Dia.	Crankshaft		Power	Seal Kit	Valve Kit	Wt.
		GPM	l/min	PSI	bar		Stroke	Code				
1450 RPM	CSC 27/20 S	7.1	27.0	2900	200	28mm	11.0mm	P	13.8 EBHP	6061.C2	6061.B9	43 lbs
	CSC 34/20 S	9.0	34.0	2900	200	28mm	13.5mm	N	17.4 EBHP	6061.C2	6061.B9	43 lbs
	CSC 42/17 S	11.6	44.0	2465	170	28mm	17.0mm	X	19.5 EBHP	6061.C2	6061.B9	44 lbs
	CSC 50/15 S	13.2	50.0	2175	150	28mm	19.0mm	Y	19.5 EBHP	6061.C2	6061.B9	44 lbs

All Models available with Gas Engine Gear Reductions. Contact UDOR USA for pricing and availability.



MAX FLOW
MAX PRESSURE
RATED PUMP SPEED
POWER REQUIREMENT
LUBRICATION

13.2 GPM 50 L/MIN
2200 PSI / 150 BAR
1450 RPM
19.5 HP ELECTRIC
34.5 OZ UDOR LUBE



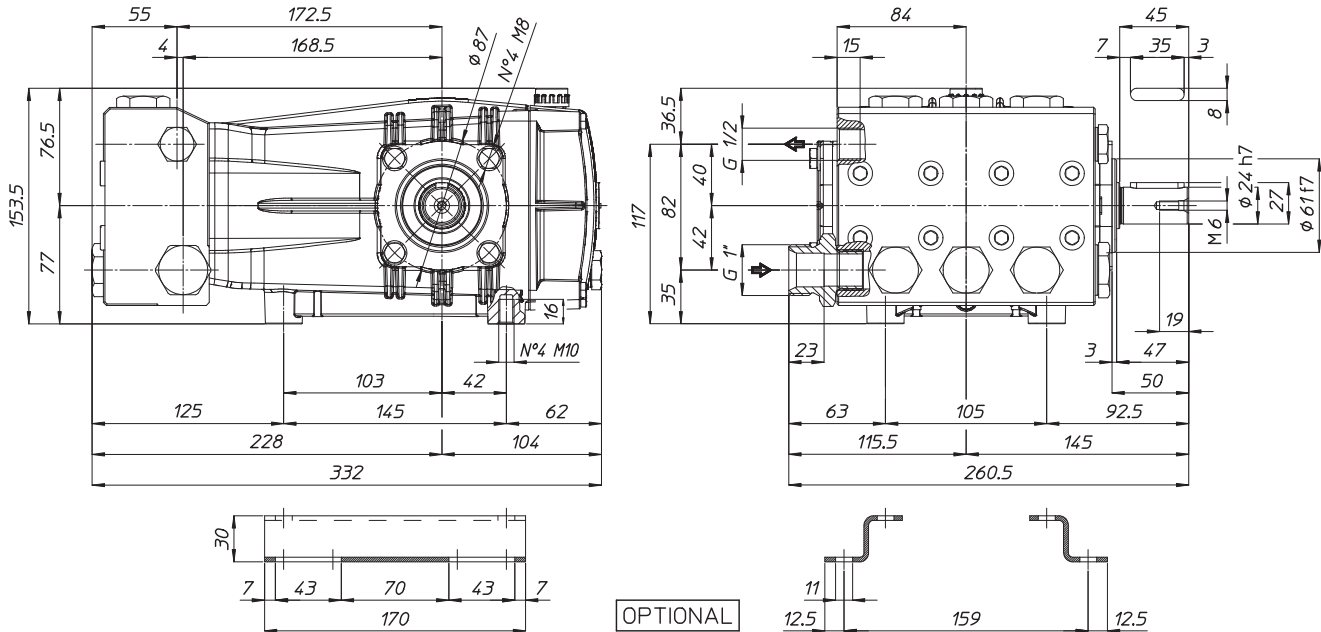
Revised 12-18-2023

Part #	Description	Qty	Part #	Description	Qty
0007.38	OIL SEAL D30	1	1404.11	GROWER WASHER D10.5 SS	8
0007.81	OIL SEAL D20	3	1411.02	SCHNORR WASHER D8	6
0014.71	PLUNGER GUIDE D28 "CS"	3	1414.06	WASHER D13.4 SS ^D	6
0021.44	WATER SEAL L.P. D28 BPE ^C	3	1502.14	PIN D14X32	3
0023.23	RING D10.4 ^D	3	1512.09	PLUG D5X20 UNI1707	6
0023.62	UPPER RING D28 "CS" SS ^B	3	1534.03	SHIM 0.1 MM	-
0028.27	MALE SHAFT D24	1	1534.04	SHIM 0.2 MM	-
0102.18	PLUNGER BOLT SS ^D	3	1534.13	SHIM 0.05 MM	-
0208.C3	BACK COVER "C/CK"	1	1603.64	PLUG G3/8	1
0208.C4	COVER "C/CK"	1	1603.B8	OIL PLUG G3/4 + GASKET	1
0209.D5	CRANKCASE "C/CK/CH/CS"	1	1603.E4	PLUG G1/2 SS	1
0248.10	ROLLER BEARING D30	2	1603.E5	VALVE PLUG "CS" PISTON D28 SS	6
0501.C6	BEARING CLOSED FLANGE	1	1603.E6	PLUG G3/4 SS	1
0501.C7	BEARING HOLLOW FLANGE	1	1604.D3	HEAD "CS" PISTON D28 SS	1
0602.75	BACK COVER GASKET	1	1625.05	OIL PLUG G3/8	1
0605.40	GASKET D21.5	1	1804.09	HEX SCREW M8X40 UNI5737	6
0605.42	GASKET D27	2	1816.05	HEX SCREW M10X90 UNI5737 SS	8
0605.43	GASKET D17	1	1816.25	HEX SCREW M8X20 UNI5739 SS	8
0635.29	HIGH PRESS. SEAL KIT D28 ^C	3	1816.27	HEX SCREW M6X45 UNI5931 SS	5
0801.17	KEY A8X7X35 UNI6604	1	6000.41	ROD ASSEMBLY	3
1001.48	NIPPLE G1" M - G3/4 M	1	6006.54	VALVE ASSY "CS" W/O O-RING ^A	6
1101.17	O-RING D22,23 (RIF.130)	6	6061.B9	VALVE KIT "CS" (KIT 116)	
1101.64	O-RING D20,24 (RIF. 3081) 90SHORE ^A	6	6061.C1	SS RING KIT D28 "CS" (KIT 117)	
1101.73	O-RING D67,95 (RIF.3268)	2	6061.C2	WATER SEAL KIT D28 (KIT 118)	
1101.A8	O-RING D9,25 (RIF.2037) ^D	3	6061.L5	PLUNGER KIT D28 "CS" (KIT 174)	
1101.A9	O-RING D37,77 (RIF.3150) ^{B,C}	3			
1205.34	CERAMIC PLUNGER D28	3			
1221.37	PRESSURE RING D28 "CS" SS ^B	3			
1403.05	WASHER D8.4	6			

^A Parts in 6061.B9 (Kit 116).
^B Parts in 6061.C1 (Kit 117).
^C Parts in 6061.C2 (Kit 118).
^D Parts in 6061.L5 (Kit 174).

*Dimensional Drawings are
Shown in Millimeters.
To Convert to Inches,
Multiply Dimension x 0.03937*

CS SERIES PUMPS 10 GPM & OVER



TORQUE SPECS

Ref.	Description	Ft./lb.	Nm	Loctite®
1	Head Bolts	37	50	-
2	Valve Caps	103	140	243
3	Inlet Cap	103	140	-
4	Outlet Cap	103	140	243
5	Bearing Flange Bolts	19	25	-
6	Rear Cover Bolts	8	11	-
7	Connecting Rod Bolts	19	25	270
8	Plunger Bolts	15	20	270
9	Valve Cover Bolts	-	-	-
10	Oil Drain Plug	8	11	-

