

- 316 Stainless Steel Manifolds
- 316 Stainless Steel Valves
- 316 Stainless Steel Plunger Rods & Nuts
- 304 Stainless Steel Exterior Bolts
- Solid Ceramic Plungers
- PTFE Style Packings
- 34.5 oz. Capacity Vented Oil Bath Crank Case
- 3/4" BSP-F Inlet. 1/2" BSP-F Outlet - Below 10 GPM
- 1" BSP-F Inlet. 1/2" BSP-F Outlet - Over 10 GPM
- Max Fluid Temp, 160°F

CSC Series 24mm Keyed Solid Shaft Plunger Pumps

CSC Series stainless steel plunger pumps include a wide range of models with flow rates from 7.1 to 13.2 GPM and pressures up to 2900 PSI.

These pumps feature stainless steel wetted and exterior components to withstand the harsh environment of salt water applications.

CSC Series pumps are well suited for de-salination, disinfecting and food/pharma applications.

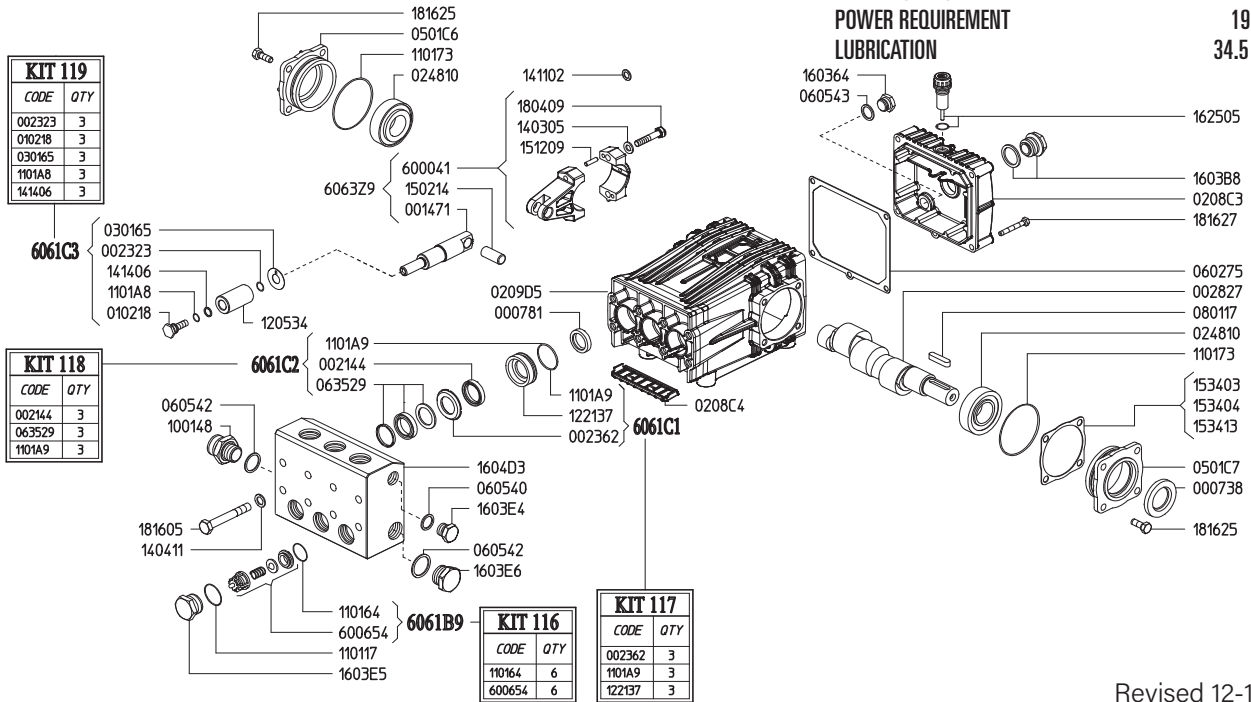
	Model	Flow		Pressure		Plunger Dia.	Crankshaft		Power	Seal Kit	Valve Kit	Wt.
		GPM	l/min	PSI	bar		Stroke	Code				
1450 RPM	CSC 27/20 S	7.1	27.0	2900	200	28mm	11.0mm	P	13.8 EBHP	6061.C2	6061.B9	43 lbs
	CSC 34/20 S	9.0	34.0	2900	200	28mm	13.5mm	N	17.4 EBHP	6061.C2	6061.B9	43 lbs
	CSC 42/17 S	11.6	44.0	2465	170	28mm	17.0mm	X	19.5 EBHP	6061.C2	6061.B9	44 lbs
	CSC 50/15 S	13.2	50.0	2175	150	28mm	19.0mm	Y	19.5 EBHP	6061.C2	6061.B9	44 lbs

All Models available with Gas Engine Gear Reductions. Contact UDOR USA for pricing and availability.



MAX FLOW
MAX PRESSURE
RATED PUMP SPEED
POWER REQUIREMENT
LUBRICATION

11.6 GPM / 44 L/MIN
2500 PSI / 170 BAR
1450 RPM
19.5 HP ELECTRIC
34.5 OZ UDOR LUBE



Revised 12-18-2023

Part #	Description	Qty	Part #	Description	Qty
0007.38	OIL SEAL D30	1	1403.05	WASHER D8.4	6
0007.81	OIL SEAL D20	3	1404.11	GROWER WASHER D10.5 SS	8
0014.71	PLUNGER GUIDE D28 "CS"	3	1411.02	SCHNORR WASHER D8	6
0021.44	WATER SEAL L.P. D28 BPE ^C	3	1414.06	WASHER D13.4 SS ^D	3
0023.23	RING D10.4 ^D	3	1502.14	PIN D14X32	3
0023.62	UPPER RING D28 "CS" SS ^B	3	1512.09	PLUG D5X20 UNI1707	6
0028.27	MALE SHAFT D24	1	1534.03	SHIM 0.1 MM	-
0102.18	PLUNGER BOLT SS ^D	3	1534.04	SHIM 0.2 MM	-
0208.C3	BACK COVER "C/CK"	1	1534.13	SHIM 0.05 MM	-
0208.C4	COVER "C/CK"	1	1603.64	PLUG G3/8	1
0209.D5	CRANKCASE "C/CK/CH/CS"	1	1603.B8	OIL PLUG G3/4 + GASKET	1
0248.10	ROLLER BEARING D30	2	1603.E4	PLUG G1/2 SS	1
0301.65	DISC "CS" SS ^D	3	1603.E5	VALVE PLUG "CS" PISTON D28 SS	6
0501.C6	BEARING CLOSED FLANGE	1	1603.E6	PLUG G3/4 SS	1
0501.C7	BEARING HOLLOW FLANGE	1	1604.D3	HEAD "CS" PISTON D28 SS	1
0602.75	BACK COVER GASKET	1	1625.05	OIL PLUG G3/8	1
0605.40	GASKET D21.5	1	1804.09	HEX SCREW M8X40 UNI5737	6
0605.42	GASKET D27	2	1816.05	HEX SCREW M10X90 UNI5737 SS	8
0605.43	GASKET D17	1	1816.25	HEX SCREW M8X20 UNI5739 SS	8
0635.29	HIGH PRESS. SEAL KIT D28 ^C	3	1816.27	HEX SCREW M6X45 UNI5931 SS	5
0801.17	KEY A8X7X35 UNI6604	1	6000.41	ROD ASSEMBLY	3
1001.48	NIPPLE G1" M - G3/4 M	1	6006.54	VALVE ASSY "CS" W/O O-RING ^A	6
1101.17	O-RING D22,23 (RIF.130)	6	6061.B9	VALVE KIT "CS" (KIT 116)	
1101.64	O-RING D20,24 (RIF. 3081) 90SHORE ^A	6	6061.C1	SS RING KIT D28 "CS" (KIT 117)	
1101.73	O-RING D67,95 (RIF.3268)	2	6061.C2	WATER SEAL KIT D28 (KIT 118)	
1101.A8	O-RING D9,25 (RIF.2037) ^D	3	6061.C3	PLUNGER KIT D28 "CS" (KIT 119)	
1101.A9	O-RING D37,77 (RIF.3150) ^{B,C}	3			
1205.34	CERAMIC PLUNGER D28	3			
1221.37	PRESSURE RING D28 "CS" SS ^B	3			

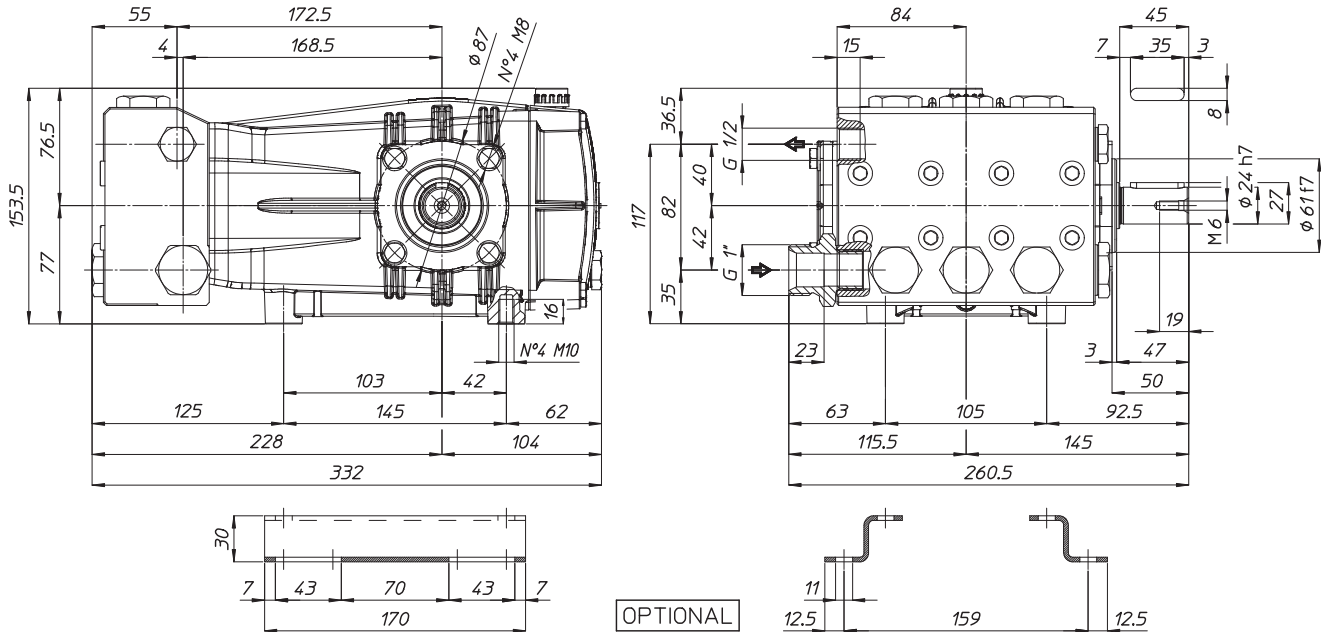
^A Parts in 6061.B9 (Kit 116).
^B Parts in 6061.C1 (Kit 117).
^C Parts in 6061.C2 (Kit 118).
^D Parts in 6061.C3 (Kit 119).

WEIGHT
LUBRICATION

44 LBS
34.5 OZ UDOR LUBE

*Dimensional Drawings are
Shown in Millimeters.
To Convert to Inches,
Multiply Dimension x 0.03937*

CS SERIES PUMPS 10 GPM & OVER



TORQUE SPECS

Ref.	Description	Ft./lb.	Nm	Loctite®
1	Head Bolts	37	50	-
2	Valve Caps	103	140	243
3	Inlet Cap	103	140	-
4	Outlet Cap	103	140	243
5	Bearing Flange Bolts	19	25	-
6	Rear Cover Bolts	8	11	-
7	Connecting Rod Bolts	19	25	270
8	Plunger Bolts	15	20	270
9	Valve Cover Bolts	-	-	-
10	Oil Drain Plug	8	11	-

