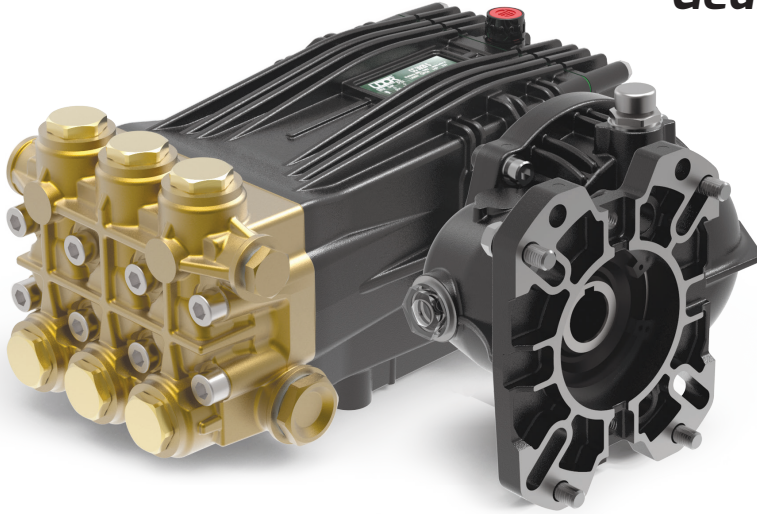


## Gear Reduction, Gas Engine Models

1" or 1-1/8" Hollow Shaft, SAE J609-B Flange  
2.2:1 Gear Reduction Drive



- Heavy Duty Brass Manifold with External and Internal Bracing
- Heavy Duty Bronze or Aluminum Connecting Rods
- Large Diameter Brass or Stainless Steel Valve Caps with Increased Thread Depth
- Reinforcing Ring on Inlet and Discharge Ports
- Stainless Steel Piston Guides and Check Valves
- Heat Treated Crank Shaft
- Industrial Quality Tapered Roller Bearings
- Deeper Back Cover for Increased Oil Capacity
- 34.5 oz. Capacity Vented Oil Bath Crank Case
- 3/4" BSP-F Inlet. 3/8" BSP-F Outlet - Less Than 10 GPM
- 3/4" BSP-F Inlet. 1/2" BSP-F Outlet - 10 GPM and Above
- Max Fluid Temp, 160°F

### CKC Series Gas Engine, Gear Reduction Drive Plunger Pumps

CKC Series super duty plunger pumps include a wide range of models with flow rates from 4.5 to 12.0 GPM and pressures up to 5075 PSI.

Other drive options include 24mm solid shaft and hydraulic motor flange.

Applications include general pressure cleaning, sewer jetting, vehicle wash equipment, street cleaning, construction, hydro-excavation and UHP fire fighting applications.

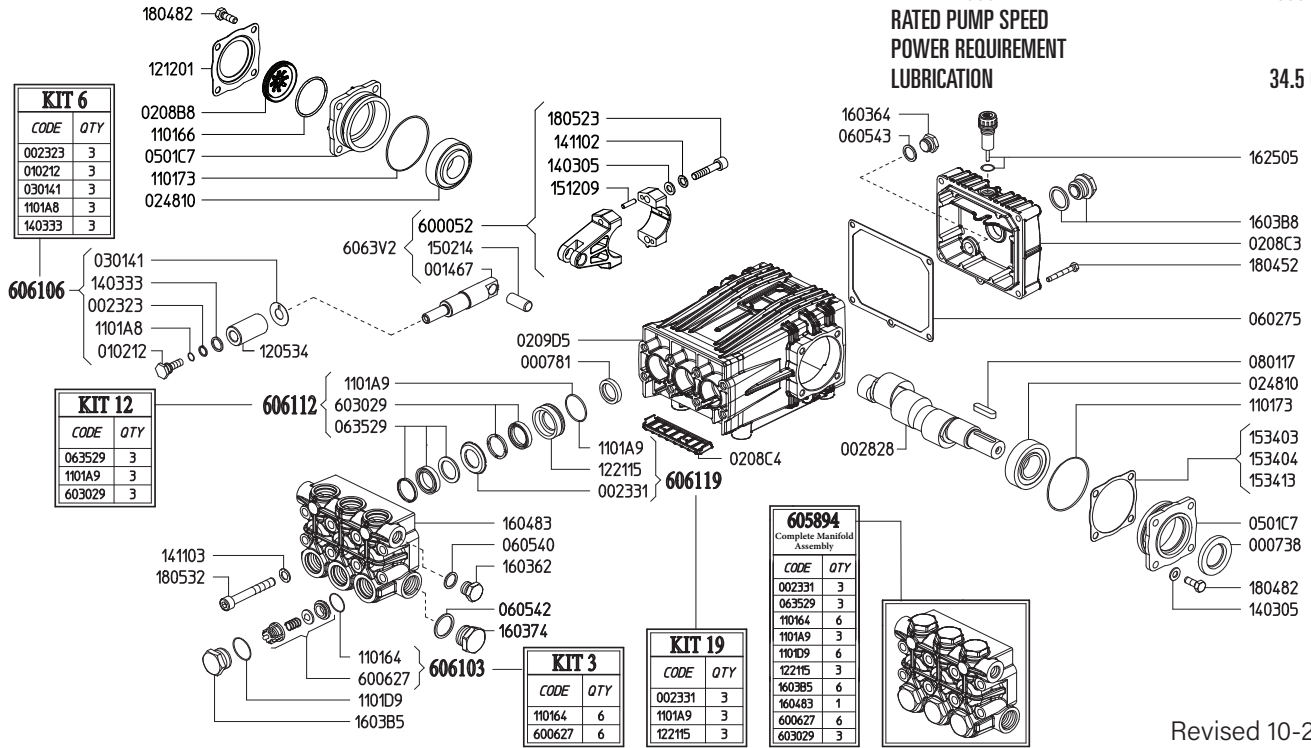
	Model	Flow		Pressure		Plunger Dia.	Crankshaft		Power	Seal Kit	Valve Kit	Wt.
		GPM	l/min	PSI	bar		Stroke	Code				
Gear Reduction	CKC 17/30 GR	4.5	17.0	4350	300	22mm	11.0mm	P	18.0 HP Gas	6061.10	6061.03	39 lbs
	CKC 17/36 GR	4.5	17.0	5075	360	20mm	13.5mm	N	20.0 HP Gas	6061.D4	6061.63	39 lbs
	CKC 21/30 GR	5.5	21.0	4350	300	22mm	13.5mm	N	23.0 HP Gas	6061.10	6061.03	39 lbs
	CKC 21/36 GR	5.5	21.0	5075	360	20mm	17.0mm	X	24.0 HP Gas	6061.D4	6061.63	39 lbs
	CKC 26/30 GR	6.9	26.0	4350	300	22mm	17.0mm	X	26.0 HP Gas	6061.10	6061.03	39 lbs
	CKC 30/24 GR	7.9	30.0	3480	240	25mm	15.0mm	V	26.0 HP Gas	6061.11	6061.03	39 lbs
	CKC 30/30 GR	7.9	30.0	4350	300	22mm	19.0mm	Y	26.0 HP Gas	6061.10	6061.03	39 lbs
	CKC 34/25 GR	9.0	34.0	3625	250	25mm	17.0mm	X	26.0 HP Gas	6061.11	6061.03	39 lbs
	CKC 38/20 GR	10.0	38.0	2900	200	28mm	15.0mm	V	25.0 HP Gas	6061.12	6061.03	39 lbs
	CKC 42/20 GR	11.6	44.0	2900	200	28mm	17.0mm	X	26.0 HP Gas	6061.12	6061.03	39 lbs
	CKC 50/20 GR	13.2	50.0	2900	200	28mm	19.0mm	Y	26.0 HP Gas	6061.12	6061.03	39 lbs

**NOTE:** All models available with 1" or 1-1/8" Hollow Shafts . Specify size when ordering (ex. **CKC 21/30 GR1** or **CKC 21/30 GR1-1/8.**)



MAX FLOW  
MAX PRESSURE  
RATED PUMP SPEED  
POWER REQUIREMENT  
LUBRICATION

10.0 GPM / 38.0 L/MIN  
2900 PSI / 200 BAR  
1450 RPM  
25.0 HP GAS  
34.5 OZ UDOR LUBE

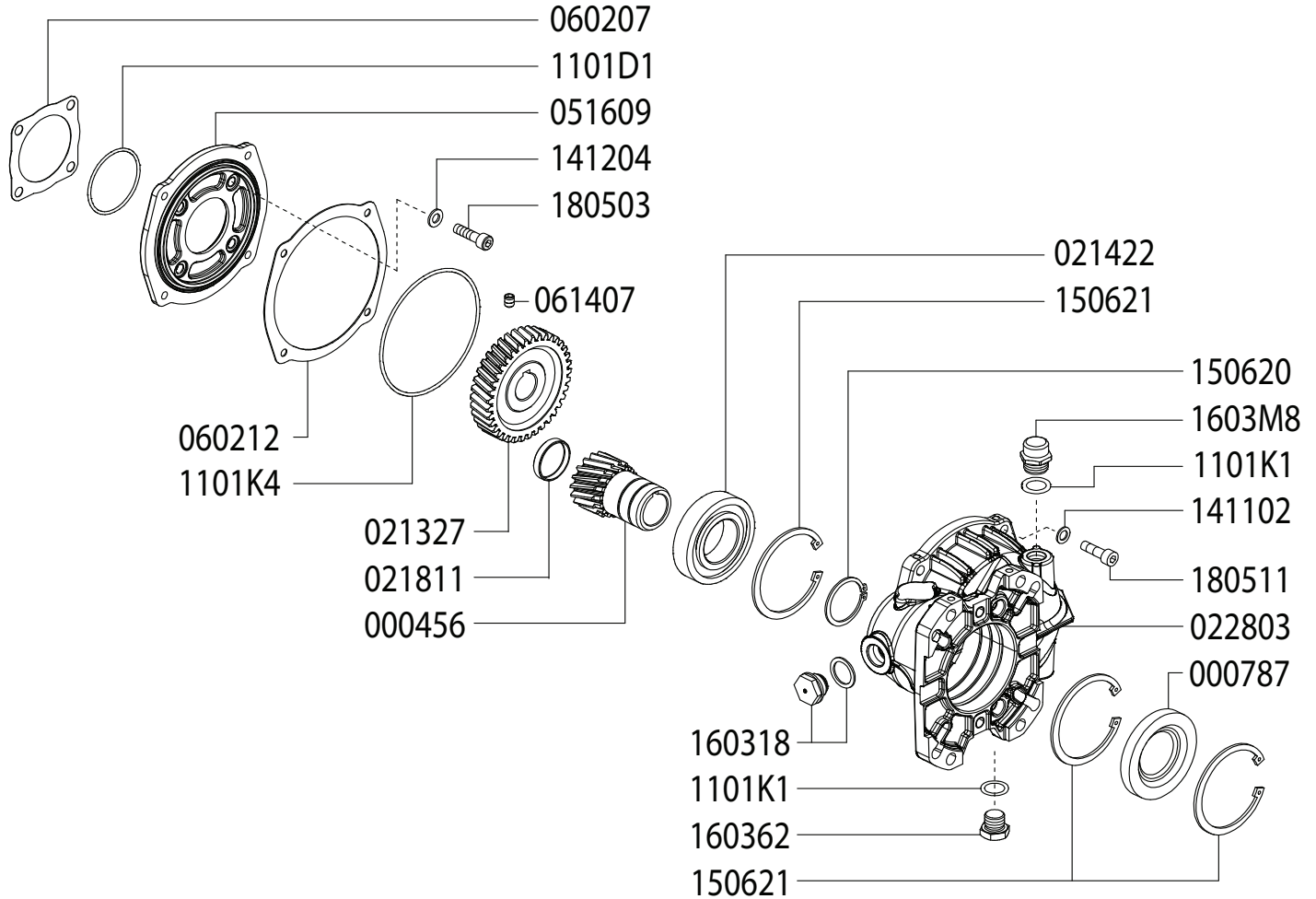


Revised 10-27-2023

Part #	Description	Qty	Part #	Description	Qty
0007.38	OIL SEAL D30	1	1411.02	SERATED WASHER D8	6
0007.81	OIL SEAL D20	3	1411.03	SERATED WASHER D10	8
0014.67	PLUNGER GUIDE D22/25/28 "C/CK"	3	1502.14	PIN D14X32	3
0023.23	RING D10.4 <sup>B</sup>	3	1512.09	PLUG D5X20 UNI1707	6
0023.31	UPPER RING D28 <sup>D E</sup>	3	1534.03	SHIM 0.1MM	-
0028.28	MALE SHAFT D24	1	1534.04	SHIM 0.2MM	-
0102.12	PLUNGER BOLT <sup>B</sup>	3	1534.13	SHIM 0.05MM	-
0208.B8	OIL SIGHT GLASS	1	1603.62	PLUG G31/2	1
0208.C3	BACK COVER "C/CK"	1	1603.64	PLUG G3/8	1
0208.C4	COVER "CK"	1	1603.74	PLUG G3/4	1
0209.D5	CRANKCASE "C/CK/CH"	1	1603.B8	OIL PLUG G3/4 + GASKET	1
0248.10	ROLLER BEARING D30	2	1603.H7	VALVE PLUG "CK" PISTON D22/25 <sup>E</sup>	6
0301.41	SLINGER RING <sup>B</sup>	3	1604.83	HEAD "CK" D28 <sup>E</sup>	1
0501.C7	BEARING HOLLOW FLANGE	2	1625.05	OIL PLUG G3/8	1
0602.75	BACK COVER GASKET	1	1804.52	HEX BOLT M6X45	5
0605.40	GASKET D21.5	1	1804.82	HEX BOLT M8X22	8
0605.42	GASKET D27	1	1805.23	ALLEN BOLT M8X40	6
0605.43	GASKET D17	1	1805.32	ALLEN BOLT M10X75	8
0635.29	HIGH PRESSURE SEAL KIT D28 <sup>C E</sup>	3	6000.52	ROD ASSEMBLY	3
0801.17	KEY A8X7X35	1	6006.27	VALVE ASSEMBLY W/O O-RING <sup>A E</sup>	6
1101.64	O-RING - VALVE <sup>A E</sup>	6	6030.29	LOW PRESSURE SEAL ASSY D28 <sup>C E</sup>	3
1101.66	O-RING - OIL SIGHT GLASS	1	6058.94	COMPLETE MANIFOLD ASSEMBLY	1
1101.73	O-RING - BEARING FLANGE	2	6061.03	KIT 3 VALVE KIT	1
1101.A8	O-RING - PLUNGER BOLT <sup>B</sup>	3	6061.06	KIT 6 PLUNGER KIT	1
1101.A9	O-RING - PRESSURE RING <sup>C D E</sup>	3	6061.12	KIT 12 WATER SEAL KIT D28 "C/CK"	1
1101.D9	O-RING - VALVE PLUG <sup>E</sup>	6	6061.19	KIT 19 BRASS RING KIT D28 "C/CK"	1
1205.34	CERAMIC PLUNGER D28	3			
1212.01	RETAINER - OIL SIGHT GLASS	1			
1221.15	PRESSURE RING D28 <sup>D</sup>	3			
1403.05	WASHER D8.4	14			
1403.33	WASHER D13.4 <sup>B</sup>	3			

<sup>A</sup> Parts in 6061.03 (Kit 3).  
<sup>B</sup> Parts in 6061.06 (Kit 6).  
<sup>C</sup> Parts in 6061.12 (Kit 12).  
<sup>D</sup> Parts in 6061.19 (Kit 19).  
<sup>E</sup> Parts in 6058.94 (Complete Manifold Assembly).

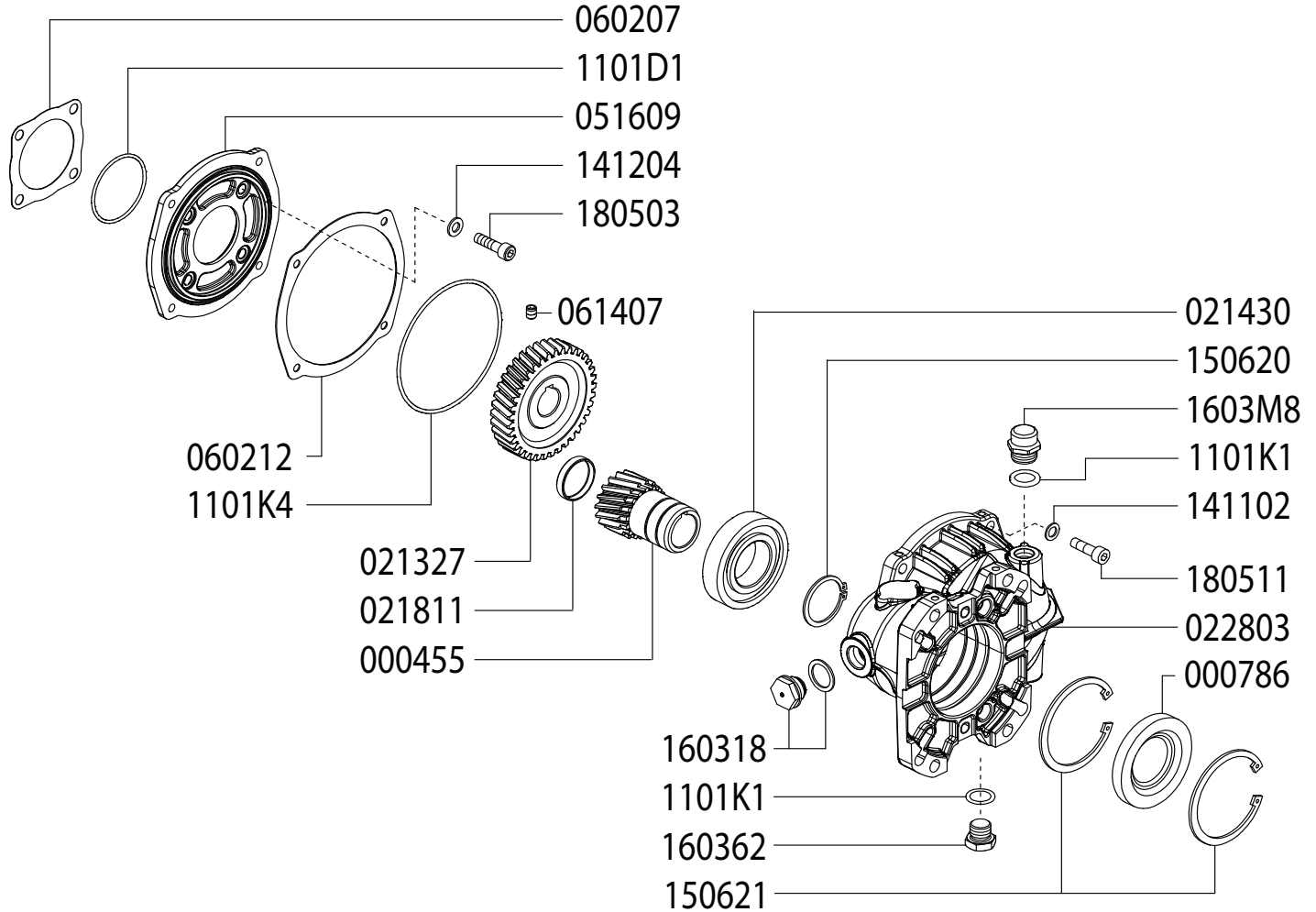
**GAS ENGINE GEAR REDUCTION FOR  
B/BK/MS/MWT/C/CS/CWT/CK/CX-SERIES PLUNGER PUMPS  
on GAS ENGINES with 1" SHAFTS  
REQUIRES 9.0 OZ. 90W GEAR LUBE**



Revised 10-27-2023

Part #	Description	Qty	Part #	Description	Qty
0004.56	GEAR SHAFT "RC122" 1"	1	1101.K4	O-RING - RC122 FLANGE - INSIDE	1
0007.87	SEAL	1	1403.05	WASHER D8,4	4
0213.27	GEAR "RM122" IP	1	1411.02	SERATED WASHER D8	4
0214.22	BALL BEARING D40 "RC122K"	1	1412.04	BONDED WASHER D8.3	4
0218.11	CAP - D37X7	1	1506.20	SNAP RING D40	1
0228.03	COUPLER "RC122"	1	1506.21	SNAP RING D80	3
0516.09	FLANGE "RC122"	1	1603.18	OIL PLUG G1/2 + GASKET	1
0602.07	GASKET "RC122"	1	1603.62	PLUG G1/2	1
0602.12	GASKET "RC122" SPLIT BODY	1	1603.M8	OIL CAP - RC122	1
0614.07	SET SCREW M8X10 UNI5929	1	1805.03	ALLEN SCREW M8X30	4
1101.D1	O-RING - RC122 FLANGE - OUTSIDE	1	1805.11	ALLEN SCREW M8X25	4
1101.K1	O-RING - OIL PLUG / OIL CAP	2			

**GAS ENGINE GEAR REDUCTION FOR  
B/BK/MS/MWT/C/CS/CWT/CK/CX-SERIES PLUNGER PUMPS  
on GAS ENGINES with 1-1/8" SHAFTS  
REQUIRES 9.0 OZ. 90W GEAR LUBE**

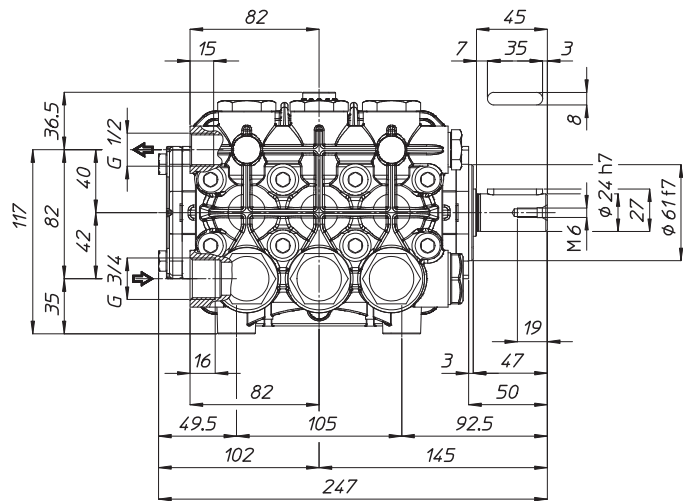
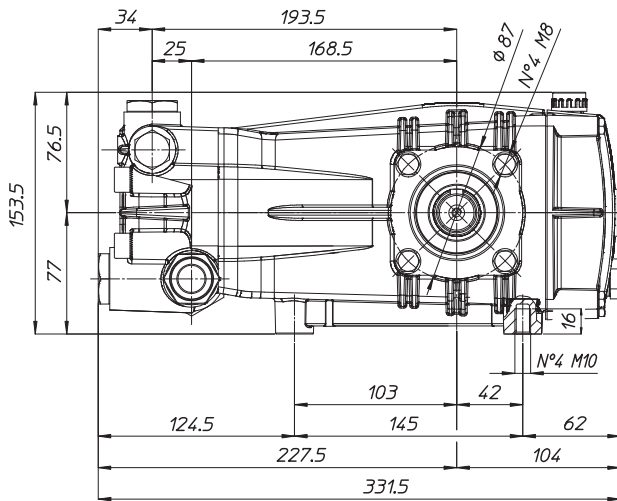


Revised 10-27-2023

Part #	Description	Qty	Part #	Description	Qty
0004.55	GEAR SHAFT "RC122" 1-1/8"	1	1101.K4	O-RING - RC122 FLANGE - INSIDE	1
0007.86	SEAL	1	1403.05	WASHER D8,4	4
0213.27	GEAR "RM122" IP	1	1411.02	SERATED WASHER D8	4
0214.30	BALL BEARING D40 "RC122X"	1	1412.04	BONDED WASHER D8.3	4
0218.11	CAP - D37X7	1	1506.20	SNAP RING D40	1
0228.03	COUPLER "RC122"	1	1506.21	SNAP RING D80	2
0516.09	FLANGE "RC122"	1	1603.18	OIL PLUG G1/2 + GASKET	1
0602.07	GASKET "RC122"	1	1603.62	PLUG G1/2	1
0602.12	GASKET "RC122" SPLIT BODY	1	1603.M8	OIL CAP - RC122	1
0614.07	SET SCREW M8X10 UNI5929	1	1805.03	ALLEN SCREW M8X30	4
1101.D1	O-RING - RC122 FLANGE - OUTSIDE	1	1805.11	ALLEN SCREW M8X25	4
1101.K1	O-RING - OIL PLUG / OIL CAP	2			

*Dimensional Drawings are  
Shown in Millimeters.  
To Convert to Inches,  
Multiply Dimension x 0.03937*

## CK SERIES PUMPS 10 GPM & OVER



## TORQUE SPECS

Ref.	Description	Ft./lb.	Nm	Loctite®
1	Head Bolts	37	50	-
2	Valve Caps	103	140	243
3	Inlet Cap	103	140	-
4	Outlet Cap	103	140	243
5	Bearing Flange Bolts	19	25	-
6	Rear Cover Bolts	8	11	-
7	Connecting Rod Bolts	19	25	270
8	Plunger Bolts	15	20	270
9	Valve Cover Bolts	-	-	-
10	Oil Drain Plug	8	11	-

