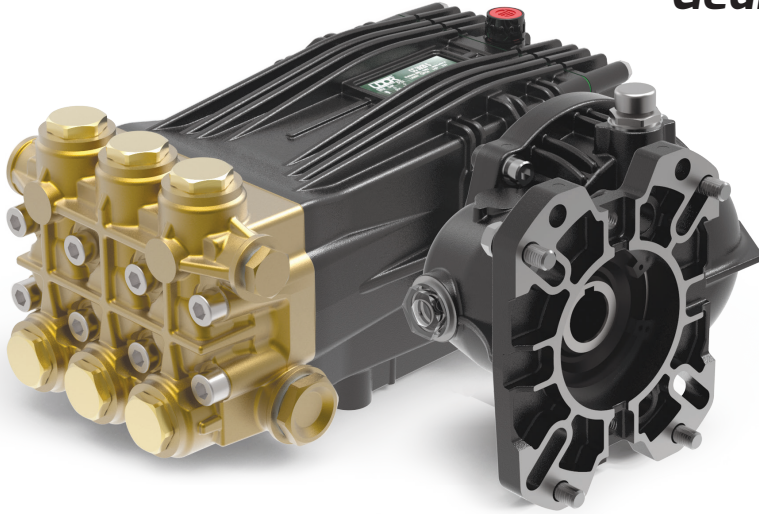


Gear Reduction, Gas Engine Models

1" or 1-1/8" Hollow Shaft, SAE J609-B Flange
2.2:1 Gear Reduction Drive



- Heavy Duty Brass Manifold with External and Internal Bracing
- Heavy Duty Bronze or Aluminum Connecting Rods
- Large Diameter Brass or Stainless Steel Valve Caps with Increased Thread Depth
- Reinforcing Ring on Inlet and Discharge Ports
- Stainless Steel Piston Guides and Check Valves
- Heat Treated Crank Shaft
- Industrial Quality Tapered Roller Bearings
- Deeper Back Cover for Increased Oil Capacity
- 34.5 oz. Capacity Vented Oil Bath Crank Case
- 3/4" BSP-F Inlet. 3/8" BSP-F Outlet - Less Than 10 GPM
- 3/4" BSP-F Inlet. 1/2" BSP-F Outlet - 10 GPM and Above
- Max Fluid Temp, 160°F

CKC Series Gas Engine, Gear Reduction Drive Plunger Pumps

CKC Series super duty plunger pumps include a wide range of models with flow rates from 4.5 to 12.0 GPM and pressures up to 5075 PSI.

Other drive options include 24mm solid shaft and hydraulic motor flange.

Applications include general pressure cleaning, sewer jetting, vehicle wash equipment, street cleaning, construction, hydro-excavation and UHP fire fighting applications.

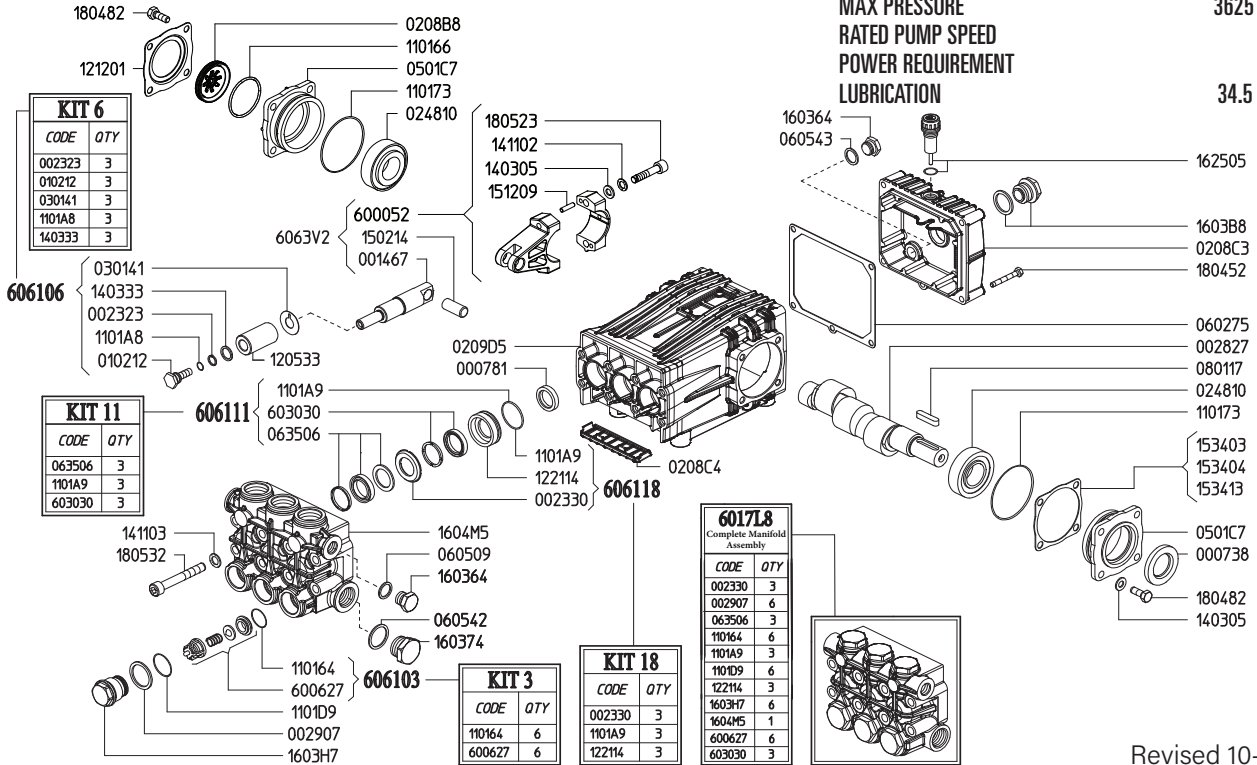
	Model	Flow		Pressure		Plunger Dia.	Crankshaft		Power	Seal Kit	Valve Kit	Wt.
		GPM	l/min	PSI	bar		Stroke	Code				
Gear Reduction	CKC 17/30 GR	4.5	17.0	4350	300	22mm	11.0mm	P	18.0 HP Gas	6061.10	6061.03	39 lbs
	CKC 17/36 GR	4.5	17.0	5075	360	20mm	13.5mm	N	20.0 HP Gas	6061.D4	6061.63	39 lbs
	CKC 21/30 GR	5.5	21.0	4350	300	22mm	13.5mm	N	23.0 HP Gas	6061.10	6061.03	39 lbs
	CKC 21/36 GR	5.5	21.0	5075	360	20mm	17.0mm	X	24.0 HP Gas	6061.D4	6061.63	39 lbs
	CKC 26/30 GR	6.9	26.0	4350	300	22mm	17.0mm	X	26.0 HP Gas	6061.10	6061.03	39 lbs
	CKC 30/24 GR	7.9	30.0	3480	240	25mm	15.0mm	V	26.0 HP Gas	6061.11	6061.03	39 lbs
	CKC 30/30 GR	7.9	30.0	4350	300	22mm	19.0mm	Y	26.0 HP Gas	6061.10	6061.03	39 lbs
	CKC 34/25 GR	9.0	34.0	3625	250	25mm	17.0mm	X	26.0 HP Gas	6061.11	6061.03	39 lbs
	CKC 38/20 GR	10.0	38.0	2900	200	28mm	15.0mm	V	25.0 HP Gas	6061.12	6061.03	39 lbs
	CKC 42/20 GR	11.6	44.0	2900	200	28mm	17.0mm	X	26.0 HP Gas	6061.12	6061.03	39 lbs
	CKC 50/20 GR	13.2	50.0	2900	200	28mm	19.0mm	Y	26.0 HP Gas	6061.12	6061.03	39 lbs

NOTE: All models available with 1" or 1-1/8" Hollow Shafts . Specify size when ordering (ex. **CKC 21/30 GR1** or **CKC 21/30 GR1-1/8.**)



MAX FLOW
MAX PRESSURE
RATED PUMP SPEED
POWER REQUIREMENT
LUBRICATION

9.0 GPM / 34.0 L/MIN
3625 PSI / 250 BAR
1450 RPM
26.0 HP GAS
34.5 OZ UDOR LUBE



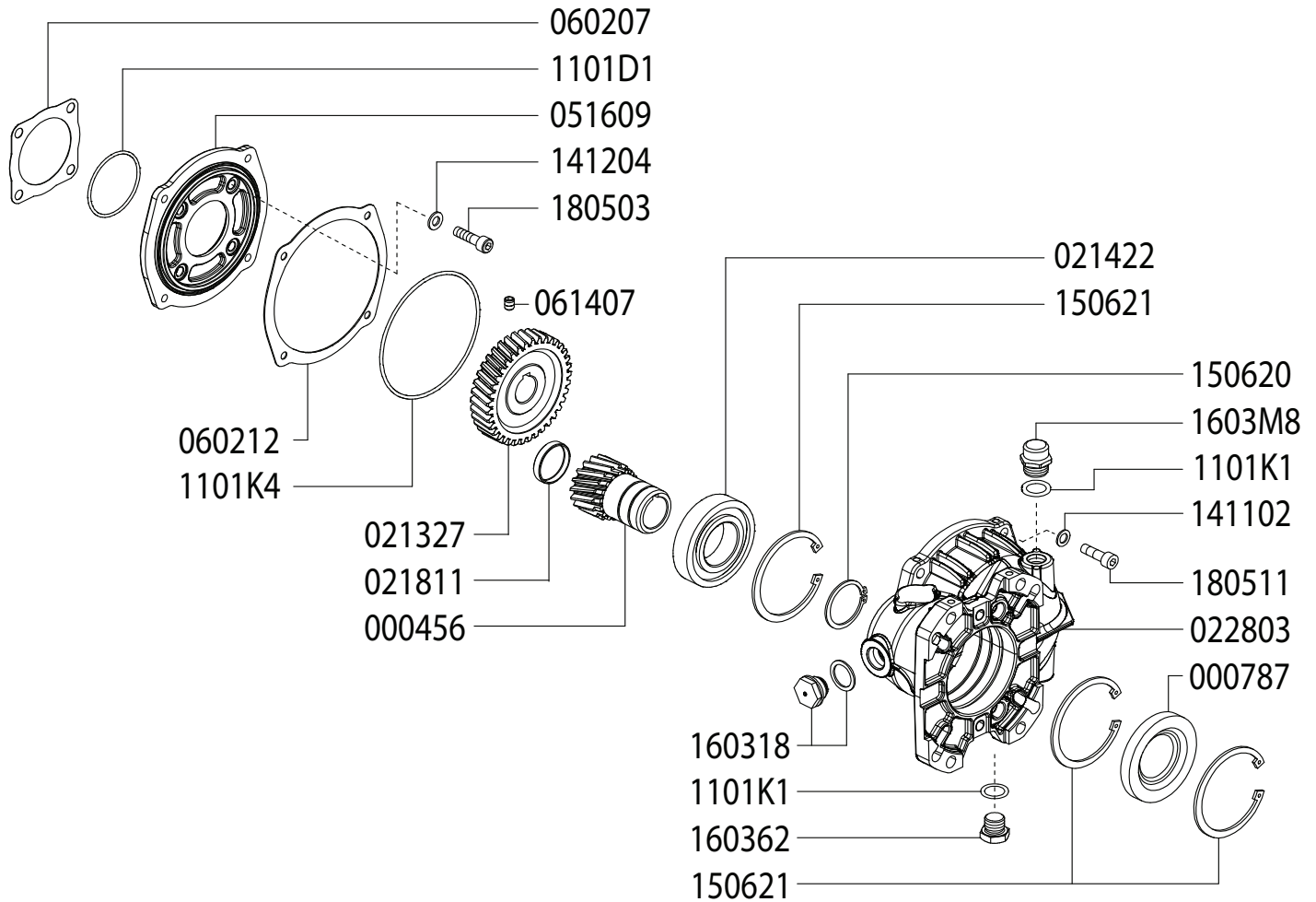
Revised 10-27-2023

Part #	Description	Qty
0007.38	OIL SEAL D30	1
0007.81	OIL SEAL D20	3
0014.67	PLUNGER GUIDE D22/25/28 "C/CK"	3
0023.23	RING D10.4 ^B	3
0023.30	UPPER RING D25 ^{D E}	3
0028.27	MALE SHAFT D24	1
0029.07	PLUG RING "CK" ^E	6
0102.12	PLUNGER BOLT ^B	3
0208.B8	OIL SIGHT GLASS	1
0208.C3	BACK COVER "C/CK"	1
0208.C4	COVER "CK"	1
0209.D5	CRANKCASE "C/CK/CH"	1
0248.10	ROLLER BEARING D30	2
0301.41	SLINGER RING ^B	3
0501.C7	BEARING HOLLOW FLANGE	2
0602.75	BACK COVER GASKET	1
0605.09	GASKET D17	1
0605.42	GASKET D27	1
0605.43	GASKET D17	1
0635.06	HIGH PRESSURE SEAL KIT D25 ^{C E}	3
0801.17	KEY A8X7X35	1
1101.64	O-RING - VALVE ^{A E}	6
1101.66	O-RING - OIL SIGHT GLASS	1
1101.73	O-RING - BEARING FLANGE	2
1101.A8	O-RING - PLUNGER BOLT ^B	3
1101.A9	O-RING - PRESSURE RING ^{C D E}	3
1101.D9	O-RING - VALVE PLUG ^E	6
1205.32	CERAMIC PLUNGER D22	3
1212.01	RETAINER - OIL SIGHT GLASS	1
1221.14	PRESSURE RING D25 ^{D E}	3
1403.05	WASHER D8.4	14

Part #	Description	Qty
1403.33	WASHER D13.4 ^B	3
1411.02	SERATED WASHER D8	6
1411.03	SERATED WASHER D10	8
1502.14	PIN D14X32	3
1512.09	PLUG D5X20 UNI1707	6
1534.03	SHIM 0.1MM	-
1534.04	SHIM 0.2MM	-
1534.13	SHIM 0.05MM	-
1603.64	PLUG G3/8	2
1603.74	PLUG G3/4	1
1603.B8	OIL PLUG G3/4 + GASKET	1
1603.H7	VALVE PLUG "CK" PISTON D22/25 ^E	6
1604.M5	HEAD "CK" D22/25 ^E	1
1625.05	OIL PLUG G3/8	1
1804.52	HEX BOLT M6X45	5
1804.82	HEX BOLT M8X22	8
1805.23	ALLEN BOLT M8X40	6
1805.32	ALLEN BOLT M10X75	8
6000.52	ROD ASSEMBLY	3
6006.27	VALVE ASSEMBLY W/O O-RING ^{A E}	6
6017.L8	COMPLETE MANIFOLD ASSEMBLY	1
6030.30	LOW PRESSURE SEAL KIT D25 ^{C E}	3
6061.03	KIT 3 VALVE KIT	1
6061.06	KIT 6 PLUNGER KIT	1
6061.11	KIT 11 WATER SEAL KIT D25 "C/CK"	1
6061.18	KIT 18 BRASS RING KIT D25 "C/CK"	1

^A Parts in 6061.03 (Kit 3).
^B Parts in 6061.06 (Kit 6).
^C Parts in 6061.11 (Kit 11).
^D Parts in 6061.18 (Kit 18).
^E Parts in 6017.L8 (Complete Manifold Assembly).

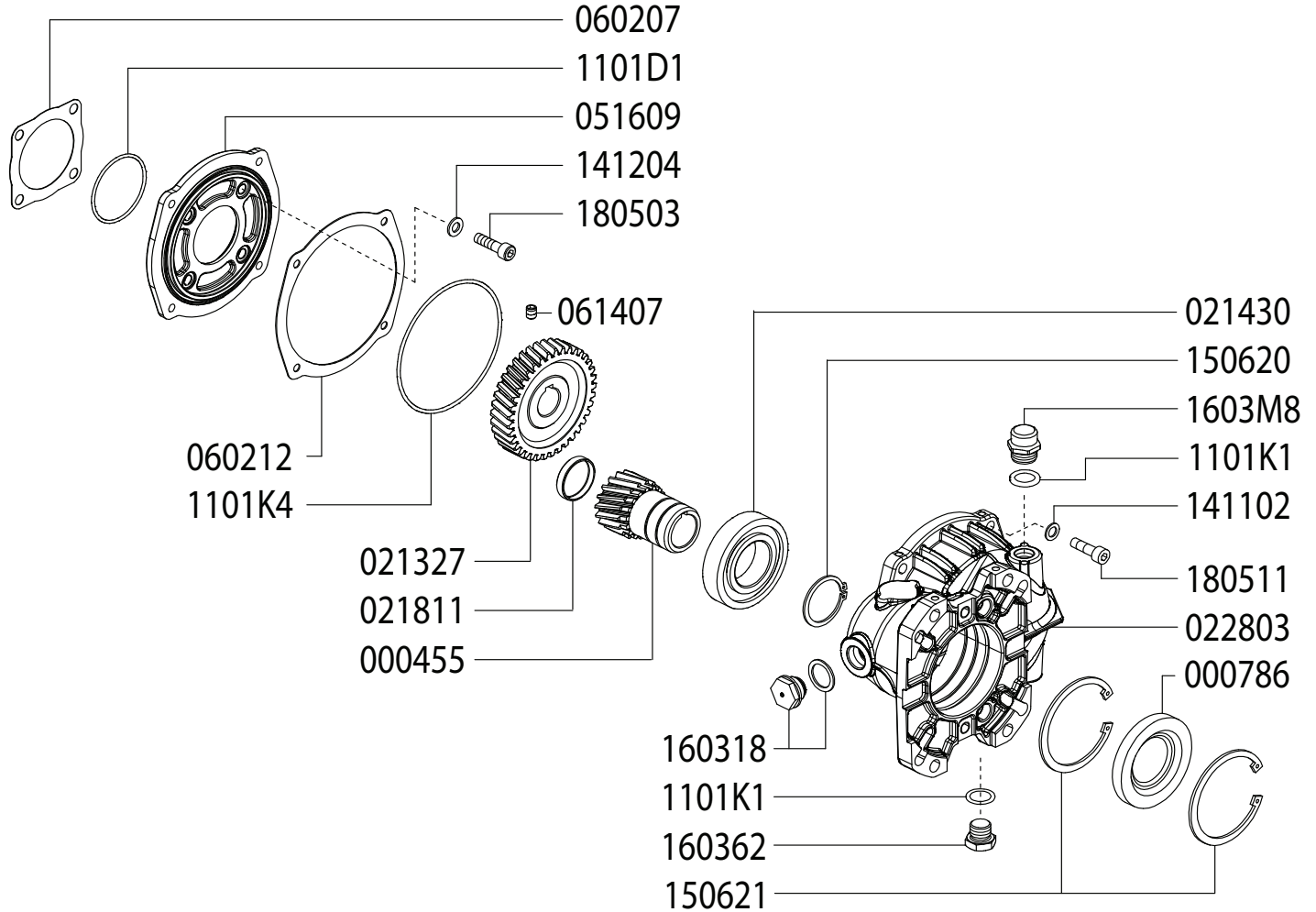
**GAS ENGINE GEAR REDUCTION FOR
B/BK/MS/MWT/C/CS/CWT/CK/CX-SERIES PLUNGER PUMPS
on GAS ENGINES with 1" SHAFTS
REQUIRES 9.0 OZ. 90W GEAR LUBE**



Revised 10-27-2023

Part #	Description	Qty	Part #	Description	Qty
0004.56	GEAR SHAFT "RC122" 1"	1	1101.K4	O-RING - RC122 FLANGE - INSIDE	1
0007.87	SEAL	1	1403.05	WASHER D8,4	4
0213.27	GEAR "RM122" IP	1	1411.02	SERATED WASHER D8	4
0214.22	BALL BEARING D40 "RC122K"	1	1412.04	BONDED WASHER D8.3	4
0218.11	CAP - D37X7	1	1506.20	SNAP RING D40	1
0228.03	COUPLER "RC122"	1	1506.21	SNAP RING D80	3
0516.09	FLANGE "RC122"	1	1603.18	OIL PLUG G1/2 + GASKET	1
0602.07	GASKET "RC122"	1	1603.62	PLUG G1/2	1
0602.12	GASKET "RC122" SPLIT BODY	1	1603.M8	OIL CAP - RC122	1
0614.07	SET SCREW M8X10 UNI5929	1	1805.03	ALLEN SCREW M8X30	4
1101.D1	O-RING - RC122 FLANGE - OUTSIDE	1	1805.11	ALLEN SCREW M8X25	4
1101.K1	O-RING - OIL PLUG / OIL CAP	2			

**GAS ENGINE GEAR REDUCTION FOR
B/BK/MS/MWT/C/CS/CWT/CK/CX-SERIES PLUNGER PUMPS
on GAS ENGINES with 1-1/8" SHAFTS
REQUIRES 9.0 OZ. 90W GEAR LUBE**

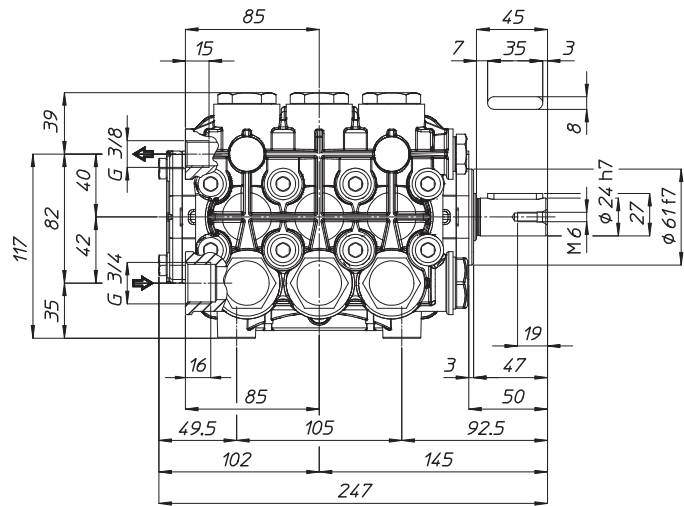
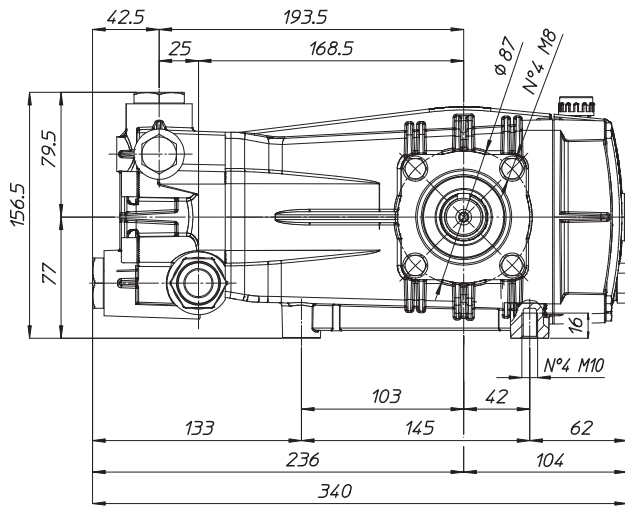


Revised 10-27-2023

Part #	Description	Qty	Part #	Description	Qty
0004.55	GEAR SHAFT "RC122" 1-1/8"	1	1101.K4	O-RING - RC122 FLANGE - INSIDE	1
0007.86	SEAL	1	1403.05	WASHER D8,4	4
0213.27	GEAR "RM122" IP	1	1411.02	SERATED WASHER D8	4
0214.30	BALL BEARING D40 "RC122X"	1	1412.04	BONDED WASHER D8.3	4
0218.11	CAP - D37X7	1	1506.20	SNAP RING D40	1
0228.03	COUPLER "RC122"	1	1506.21	SNAP RING D80	2
0516.09	FLANGE "RC122"	1	1603.18	OIL PLUG G1/2 + GASKET	1
0602.07	GASKET "RC122"	1	1603.62	PLUG G1/2	1
0602.12	GASKET "RC122" SPLIT BODY	1	1603.M8	OIL CAP - RC122	1
0614.07	SET SCREW M8X10 UNI5929	1	1805.03	ALLEN SCREW M8X30	4
1101.D1	O-RING - RC122 FLANGE - OUTSIDE	1	1805.11	ALLEN SCREW M8X25	4
1101.K1	O-RING - OIL PLUG / OIL CAP	2			

*Dimensional Drawings are
Shown in Millimeters.
To Convert to Inches,
Multiply Dimension x 0.03937*

CK SERIES PUMPS BELOW 10 GPM



TORQUE SPECS

Ref.	Description	Ft./lb.	Nm	Loctite®
1	Head Bolts	37	50	-
2	Valve Caps	103	140	243
3	Inlet Cap	103	140	-
4	Outlet Cap	103	140	243
5	Bearing Flange Bolts	19	25	-
6	Rear Cover Bolts	8	11	-
7	Connecting Rod Bolts	19	25	270
8	Plunger Bolts	15	20	270
9	Valve Cover Bolts	-	-	-
10	Oil Drain Plug	8	11	-

