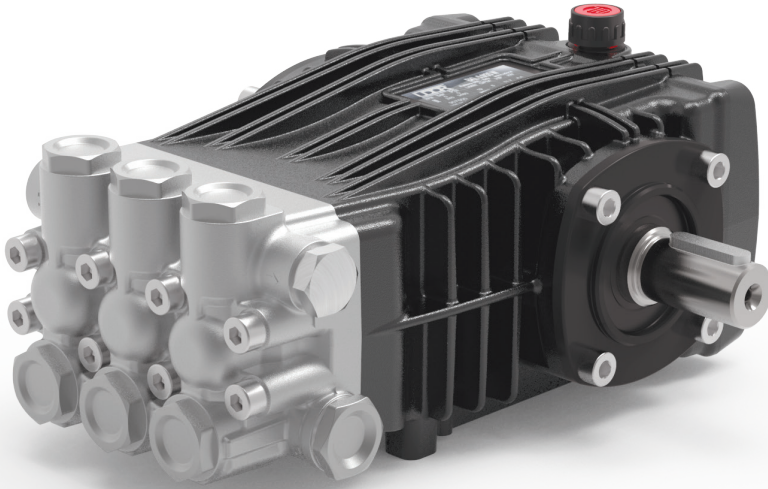


High Temperature Solid Shaft Models

24mm Keyed Solid Shaft
1450 RPM



- Nickel Plated Brass Manifold
- Stainless Steel Valve Caps
- Heat Treated Crankshaft
- Stainless Steel Piston Guides and Check Valves
- High Temperature Seals for Hot Water Applications
- Industrial Quality Tapered Roller Bearings
- Solid Ceramic Plungers
- Replaceable PTFE Coated Body Guides
- 15.4 oz. Capacity Vented Oil Bath Crank Case
- 1/2" BSP-F Inlet. 3/8" BSP-F Outlet
- Max Fluid Temp, 185°F

BWT Series 24mm Keyed Solid Shaft Plunger Pumps

BWT Series high temperature rated plunger pumps include a range of models with flow rates from 4.0 to 5.5 GPM and pressures up to 2900 PSI.

These pumps are designed and engineered with high temperature seals and nickel plated manifolds to withstand the demands of hot water applications

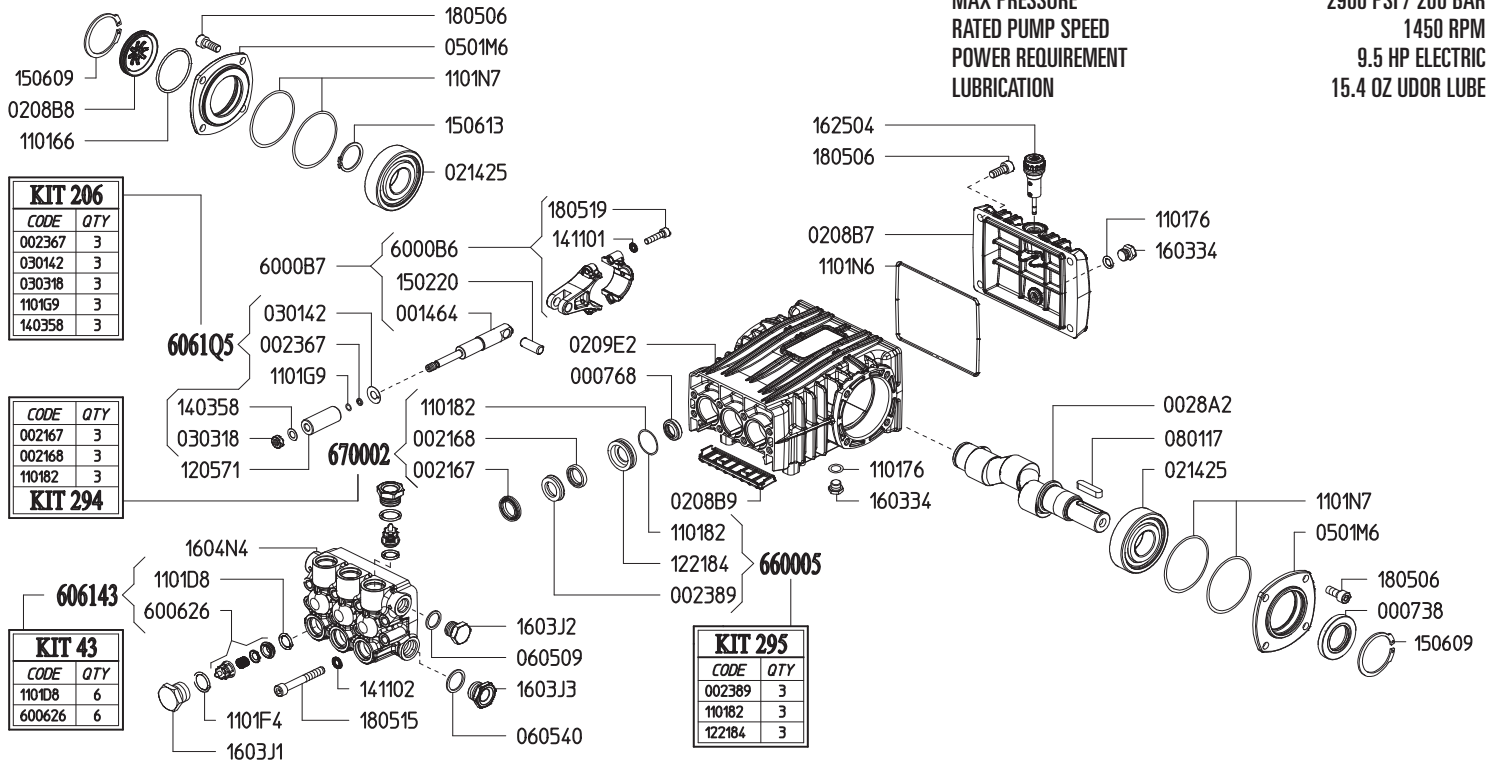
BWT series pumps are well suited for general pressure cleaning, disinfecting and food/pharma applications.

	Model	Flow		Pressure		Plunger Dia.	Crankshaft		Power	Seal Kit	Valve Kit	Wt.
		GPM	l/min	PSI	bar		Stroke	Code				
1450 RPM	BWTC 15/20 S	4.0	15.0	2900	200	18mm	14.5mm	I	7.7 EBHP	6061.28	6930.01	20 lbs
	BWTC 18/20 S	4.9	18.5	2900	200	18mm	18.0mm	9	9.5 EBHP	6061.28	6930.01	20 lbs
	BWTC 21/20 S	5.5	21.0	2900	200	18mm	19.0mm	Y	10.8 EBHP	6061.28	6930.01	20 lbs
Rail Kit	8702.10	Standard 7/8" Rail Kit for B Series Solid Shaft Pumps										
NOTE: All pump models available with left-hand drive option. Add 'L' to model number when ordering (ex. BWTC 21/20 SL)												



MAX FLOW
MAX PRESSURE
RATED PUMP SPEED
POWER REQUIREMENT
LUBRICATION

4.9 GPM / 18.5 L/MIN
2900 PSI / 200 BAR
1450 RPM
9.5 HP ELECTRIC
15.4 OZ UDOR LUBE



Revised 12-15-2023

Part #	Description	Qty	Part #	Description	Qty
0007.18	OIL SEAL D15X24X5	3	1205.71	CERAMIC PLUNGER D18 "B/BK"	3
0007.38	OIL SEAL D30	1	1221.84	PRESSURE RING D18 "BWT" ^D	3
0014.64	PLUNGER GUIDE "B/BK"	3	1403.58	WASHER D8 ^C	3
0021.67	WATER SEAL HP D18 ^B	3	1411.01	SERATED WASHER D6	6
0021.68	WATER SEAL LP D18 ^B	3	1411.02	SERATED WASHER D8	8
0023.67	RING D5.2X8X1.3 ^C	3	1502.20	PIN D10X27	3
0023.89	UPPER RING D18 "B/BK" ^D	3	1506.09	SNAP RING D52	2
0028.A2	MALE SHAFT "B/BK" D24	1	1506.13	SNAP RING D30	1
0208.B7	BACK COVER "B/BK"	1	1603.34	PLUG G1/4	2
0208.B8	OIL SIGHT GLASS	1	1603.J1	VALVE PLUG D15/18/20	6
0208.B9	COVER "B/BK"	1	1603.J2	PLUG G3/8	1
0209.E2	CRANKCASE "B-X/BK-X"	1	1603.J3	PLUG G1/2	1
0214.25	BEARING D30	2	1604.N4	HEAD "BWT"	1
0301.42	SLINGER RING ^C	3	1625.04	OIL PLUG G3/8	1
0303.18	NUT M8XH5 ^C	3	1805.06	ALLEN BOLT M8X20	12
0501.M6	BEARING FLANGE "B/BK"	2	1805.15	ALLEN BOLT M8X60	8
0605.09	GASKET D17X23X1.5	1	1805.19	ALLEN BOLT M6X25	6
0605.40	GASKET D21.5X27X1.5	1	6000.B6	ROD ASSEMBLY "B/BK"	3
0801.17	KEY A8X7X35	1	6006.26	VALVE ASSEMBLY WITHOUT O-RING ^A	6
1101.66	O-RING - OIL SIGHT GLASS	1	6061.43	KIT 43 - VALVE KIT "BWT"	1
1101.76	O-RING - PLUG	2	6061.Q5	KIT 206 - PLUNGER KIT D15/18 "B/BK"	1
1101.82	O-RING - PRESSURE RING ^{B D}	3	6600.05	KIT 295 - BRASS RING KIT D18 "B/BK"	1
1101.D8	O-RING - VALVE ^A	6	6700.02	KIT 294 - WATER SEAL KIT	1
1101.F4	O-RING - VALVE PLUG	6			
1101.G9	O-RING - PLUNGER ROD ^C	3			
1101.N6	O-RING - BACK COVER	1			
1101.N7	O-RING - BEARING FLANGE	4			

^A Parts in 6061.43 (Kit 43).

^B Parts in 6700.02 (Kit 294).

^C Parts in 6061.Q5 (Kit 206).

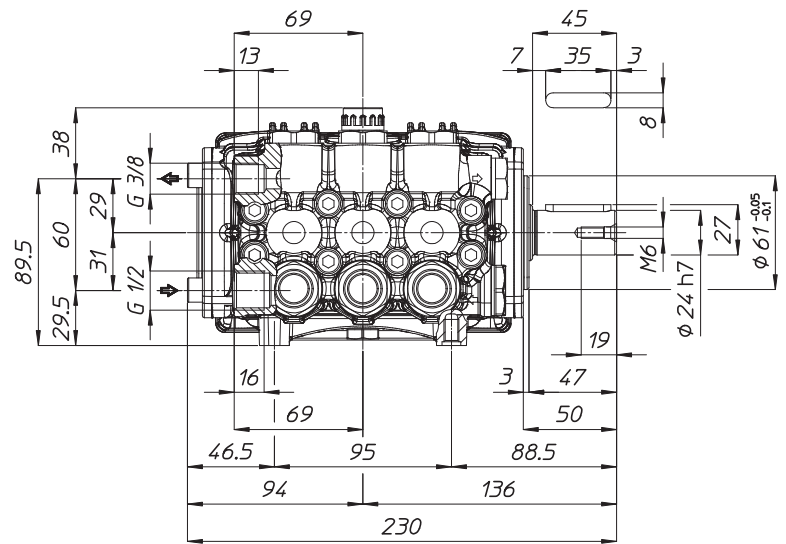
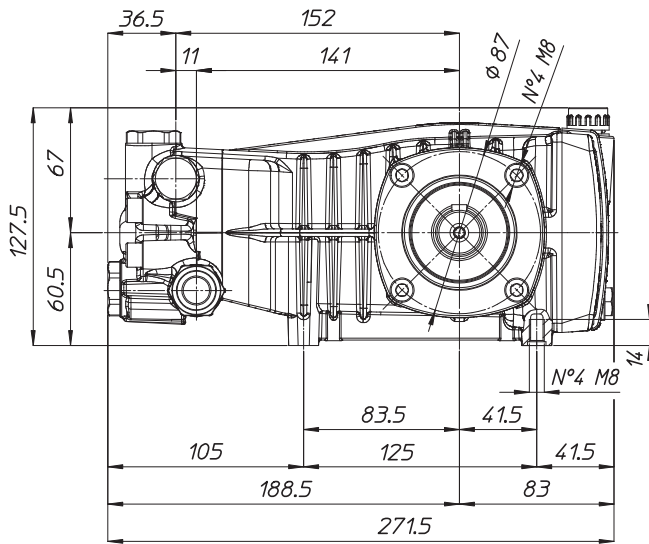
^D Parts in 6600.05 (Kit 295).

WEIGHT
LUBRICATION

20 LBS
15.4 OZ UDOR LUBE

*Dimensional Drawings are
Shown in Millimeters.
To Convert to Inches,
Multiply Dimension x 0.03937*

B SERIES PUMPS - 24MM SOLID SHAFT



TORQUE SPECS

Ref.	Description	Ft./lb.	Nm	Loctite®
1	Head Bolts	19	25	-
2	Valve Caps	75	100	243
3	Inlet Cap	75	100	243
4	Outlet Cap	60	80	243
5	Bearing Flange Bolts	19	25	-
6	Rear Cover Bolts	19	25	-
7	Connecting Rod Bolts	9	11	243
8	Plunger Bolts	11	15	270
9	Valve Cover Bolts	-	-	-
10	Oil Drain Plug	19	25	-

