

- Heavy Duty Brass Manifold with External and Internal Bracing
- Heavy Duty Bronze or High Strength Aluminum Alloy Connecting Rods.
- Large Diameter Brass Valve Caps with Increased Thread Depth
- Reinforcing Ring on Inlet and Discharge Ports
- Deeper Back Cover for Increased Oil Capacity
- 15.4 oz. Capacity Vented Oil Bath Crank Case
- 1/2" BSP-F Inlet. 3/8" BSP-F Outlet
- Max Fluid Temp, 160°F

### BKD Series 24mm Keyed Solid Shaft Plunger Pumps

BKD Series super duty plunger pumps include a range of models with flow rates from 4.0 to 4.8 GPM and pressures up to 4350 PSI.

Other drive options include gas engine flange, gas engine gear reduction and hydraulic motor flange.

Applications include general pressure cleaning, sewer jetting, vehicle wash equipment and UHP fire fighting applications.

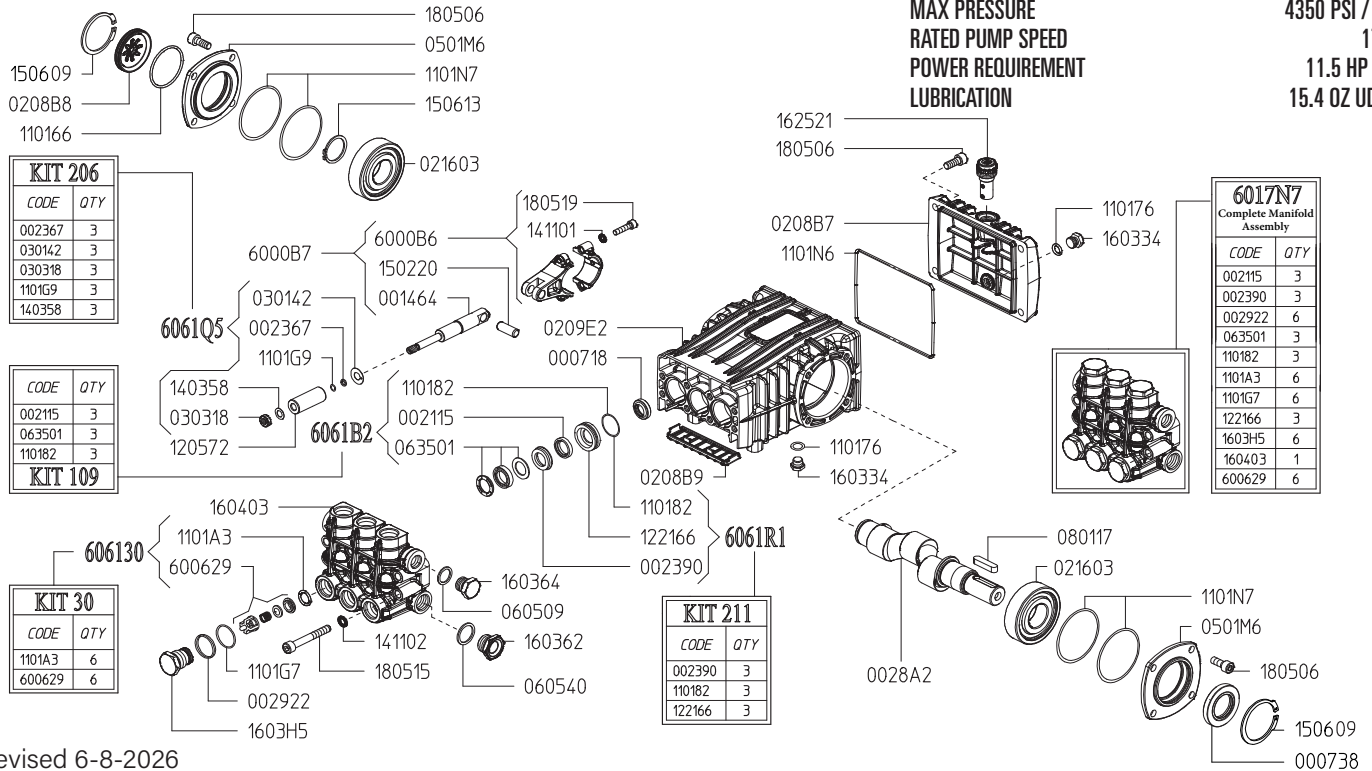
|          | Model               | Flow |       | Pressure |     | Plunger Dia. | Crankshaft |      | Power     | Seal Kit | Valve Kit | Wt.    |
|----------|---------------------|------|-------|----------|-----|--------------|------------|------|-----------|----------|-----------|--------|
|          |                     | GPM  | l/min | PSI      | bar |              | Stroke     | Code |           |          |           |        |
| 1750 RPM | <b>BKD 4.0/44 S</b> | 4.0  | 15.0  | 4350     | 300 | 15mm         | 18.0mm     | 9    | 11.5 EBHP | 6061.B2  | 6061.30   | 23 lbs |
|          | <b>BKD 5.0/36 S</b> | 4.8  | 18.2  | 3650     | 250 | 18mm         | 14.5mm     | 1    | 11.7 EBHP | 6061.28  | 6061.30   | 23 lbs |

NOTE: All pump models available with left-hand drive option. Add 'L' to model number when ordering (ex. BKD 5.0/36 SL)



MAX FLOW  
MAX PRESSURE  
RATED PUMP SPEED  
POWER REQUIREMENT  
LUBRICATION

4.0 GPM / 15 L/MIN  
4350 PSI / 300 BAR  
1750 RPM  
11.5 HP ELECTRIC  
15.4 OZ UDOR LUBE



Revised 6-8-2026

| Part #  | Description                               | Qty | Part #  | Description                                  | Qty |
|---------|---|-----|---------|--|-----|
| 000718  | OIL SEAL D15X24X5                         | 3   | 1205.72 | CERAMIC PLUNGER D15 "B/BK"                   | 3   |
| 000738  | OIL SEAL D30                              | 1   | 1221.66 | PRESSURE RING D15 "B/BK" <sup>D E</sup>      | 3   |
| 0014.64 | PLUNGER GUIDE "B/BK"                      | 3   | 1403.58 | WASHER D8 <sup>C</sup>                       | 3   |
| 0021.15 | WATER SEAL LP D15 <sup>B E</sup>          | 3   | 1411.01 | SERATED WASHER D6                            | 6   |
| 0023.67 | RING D5.2X8X1.3 <sup>C</sup>              | 3   | 1411.02 | SERATED WASHER D8                            | 8   |
| 0023.90 | UPPER RING D15 "B/BK" <sup>D E</sup>      | 3   | 1502.20 | PIN D10X27                                   | 3   |
| 0028.A2 | MALE SHAFT "B/BK" D24                     | 1   | 1506.09 | SNAP RING D52                                | 2   |
| 0029.22 | RING "CK" D15.2 <sup>E</sup>              | 6   | 1506.13 | SNAP RING D30                                | 1   |
| 0208.B7 | BACK COVER "B/BK"                         | 1   | 1603.34 | PLUG G1/4                                    | 2   |
| 0208.B8 | OIL SIGHT GLASS                           | 1   | 1603.62 | PLUG G1/2                                    | 1   |
| 0208.B9 | COVER "B/BK"                              | 1   | 1603.64 | PLUG G3/8                                    | 1   |
| 0209.E2 | CRANKCASE "B-X/BK-X"                      | 1   | 1603.H5 | VALVE PLUG "BK" <sup>E</sup>                 | 6   |
| 0216.03 | BEARING D30                               | 2   | 1604.03 | HEAD "BK-X" <sup>E</sup>                     | 1   |
| 0301.42 | SLINGER RING <sup>C</sup>                 | 3   | 1625.21 | OIL PLUG G3/8                                | 1   |
| 0303.18 | NUT M8XH5 <sup>C</sup>                    | 3   | 1805.06 | ALLEN BOLT M8X20                             | 12  |
| 0501.M6 | BEARING FLANGE "B/BK"                     | 2   | 1805.15 | ALLEN BOLT M8X60                             | 8   |
| 0605.09 | GASKET D17X23X1.5                         | 1   | 1805.19 | ALLEN BOLT M6X25                             | 6   |
| 0605.40 | GASKET D21.5X27X1.5                       | 1   | 6000.B6 | CONNECTING ROD "B/BK"                        | 3   |
| 0635.01 | HIGH PRESSURE SEAL KIT D15 <sup>B E</sup> | 3   | 6000.B7 | COMPLETE CONNECTING ROD ASS'Y "B/BK"         | 3   |
| 0801.17 | KEY A8X7X35                               | 1   | 6006.29 | VALVE ASSEMBLY WITHOUT O-RING <sup>A E</sup> | 6   |
| 1101.66 | O-RING - OIL SIGHT GLASS                  | 1   | 6017.N7 | COMPLETE MANIFOLD ASSEMBLY                   | 1   |
| 1101.76 | O-RING - PLUG                             | 2   | 6061.30 | KIT 30 - VALVE KIT "BK"                      | 1   |
| 1101.82 | O-RING - PRESSURE RING <sup>B D E</sup>   | 3   | 6061.B2 | KIT 109 - WATER SEAL KIT                     | 1   |
| 1101.A3 | O-RING - VALVE <sup>A E</sup>             | 6   | 6061.Q5 | KIT 206 - PLUNGER KIT D15/18 "B/BK"          | 1   |
| 1101.G7 | O-RING - VALVE PLUG <sup>E</sup>          | 6   | 6061.R1 | KIT 211 - BRASS RING KIT D18 "B/BK"          | 1   |
| 1101.G9 | O-RING - PLUNGER ROD <sup>C</sup>         | 3   |         |  |     |
| 1101.N6 | O-RING - REAR COVER                       | 1   |         |  |     |
| 1101.N7 | O-RING - BEARING FLANGE                   | 4   |         |  |     |

<sup>A</sup> Parts in 6061.30 (Kit 30).

<sup>B</sup> Parts in 6061.B2 (Kit 109).

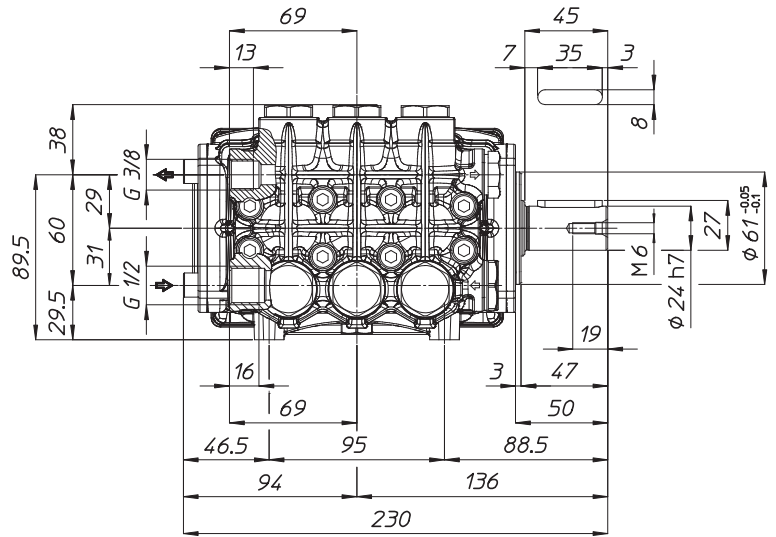
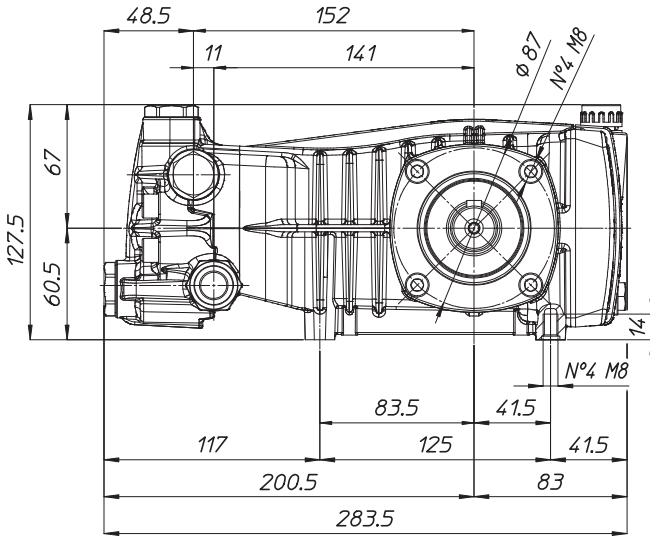
<sup>C</sup> Parts in 6061.Q5 (Kit 206).

<sup>D</sup> Parts in 6061.R1 (Kit 211).

<sup>E</sup> Parts in 6017.N7 (Complete Manifold Assembly).

*Dimensional Drawings are  
Shown in Millimeters.  
To Convert to Inches,  
Multiply Dimension x 0.03937*

## BK SERIES PUMPS - 24MM SOLID SHAFT



## TORQUE SPECS

| Ref. | Description          | Ft./lb. | Nm  | Loctite® |
|------|----------------------|---------|-----|----------|
| 1    | Head Bolts           | 19      | 25  | -        |
| 2    | Valve Caps           | 75      | 100 | 243      |
| 3    | Inlet Cap            | 75      | 100 | 243      |
| 4    | Outlet Cap           | 60      | 80  | 243      |
| 5    | Bearing Flange Bolts | 19      | 25  | -        |
| 6    | Rear Cover Bolts     | 19      | 25  | -        |
| 7    | Connecting Rod Bolts | 9       | 11  | 243      |
| 8    | Plunger Bolts        | 11      | 15  | 270      |
| 9    | Valve Cover Bolts    | -       | -   | -        |
| 10   | Oil Drain Plug       | 19      | 25  | -        |

