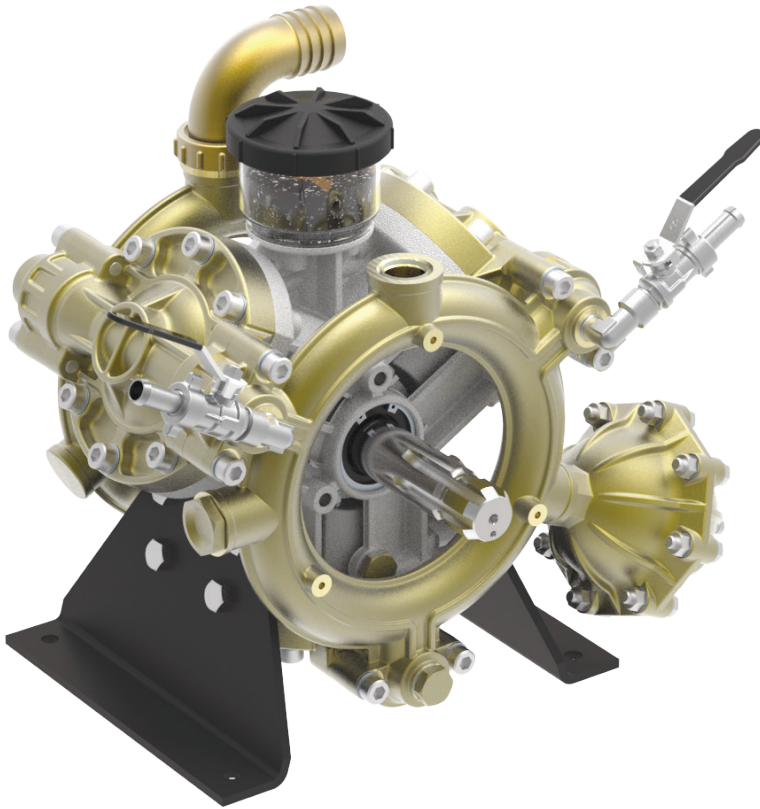




# BETA-S 135

## 3-Cylinder, High-Pressure Diaphragm Pumps



**BETA-S 135** 3-cylinder, high pressure, high volume diaphragm pumps are constructed of anodized aluminum, brass and stainless steel and have anodized aluminum, brass and stainless steel liquid handling parts. Includes mounting rails and control unit with pressure gauge. Simplicity of design and common parts allow for easy and economical maintenance.

**BETA-S 135** pumps are excellent choices for various horticultural and agricultural spraying applications.

| Model           | GPM  | l/min | PSI | bar | RPM | Drive Configuration                 | Weight |
|-----------------|------|-------|-----|-----|-----|-------------------------------------|--------|
| BETA-S 135 TS2C | 37.0 | 137.0 | 725 | 50  | 550 | 1-3/8" 6-Spline Male PTO Thru-Shaft | 51 LBS |

| Specifications         | BETA-S 135             | Description                 | Part #    |
|------------------------|------------------------|-----------------------------|-----------|
| Inlet Port             | 1-1/2" Hose Barb       | Diaphragm Kit (GREENTECH)   | 6062.E8   |
| Outlet Ports           | (3) 3/4" Hose Barb     | Diaphragm Bolt / Washer Kit | 6062.16   |
| Bypass                 | 1" Hose Barb           | Valve Kit                   | 6062.D9   |
| Piston Diameter        | 75mm                   | Complete Repair Kit         | 8700.30CK |
| Crankshaft Stroke/Code | 19.0mm / U             |                             |           |
| Dimensions             | 16"L x 15.5"W x 12.6"H |                             |           |

**Lubrication:** Requires 54 oz. of Udor Lube 40W Premium Pump Oil.  
Alternate Oil: 30W non-detergent or 15W-40 non-detergent oil.



6180 140th Avenue NW  
Ramsey, MN 55303

Ph: 651-785-0666  
Fax: 800-732-2670

www.udorusa.com  
www.boominator.com  
info@udorusa.com



Scan this QR Code  
for More Information

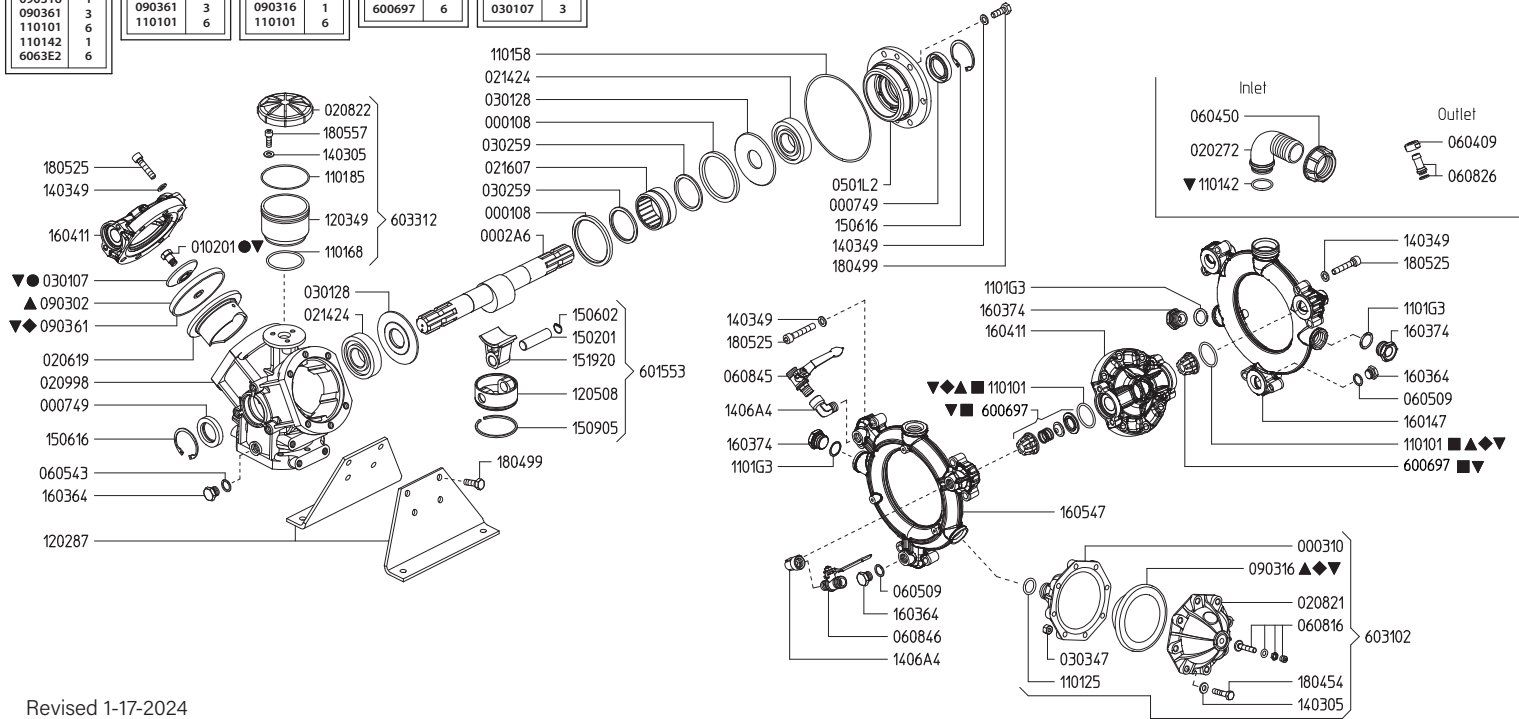
**BS135  
2024A**

# BETA-S 135 TS2C

|                  |                                    |
|------------------|------------------------------------|
| Maximum Flow     | 370 GPM / 137 lpm                  |
| Maximum Pressure | 725 PSI / 50 bar                   |
| Maximum RPM      | 550 RPM                            |
| Inlet Port       | (2) 1-1/2" Hose Barb               |
| Outlet Ports     | (2) 1/2" Hose Barb Valve, 3/4" FPT |
| Bypass           | 1" Hose Barb                       |
| Dimensions       | 16"L x 15.5"W x 12.6"H             |
| Weight           | 51 lbs                             |

**Lubrication:** Requires 40 oz. of Udor Lube 40W Premium Pump Oil.  
 Alternate Oil: 30W non-detergent or 15W-40 non-detergent oil.

| 8700.30CK |     | 6062E8<br>KIT 650 |     | 6062E7<br>KIT 649 |     | 6062D9<br>KIT 642 |     | 606216<br>KIT 515 |     |
|-----------|-----|-------------------|-----|-------------------|-----|-------------------|-----|-------------------|-----|
| CODE      | QTY | CODE              | QTY | CODE              | QTY | CODE              | QTY | CODE              | QTY |
| 010201    | 3   | 090316            | 1   | 090302            | 3   | 110101            | 6   | 010201            | 3   |
| 030107    | 3   | 090361            | 3   | 090316            | 1   | 600697            | 6   | 030107            | 3   |
| 090316    | 1   | 110101            | 6   | 110101            | 6   |                   |     |                   |     |
| 090361    | 3   |                   |     |                   |     |                   |     |                   |     |
| 110101    | 6   |                   |     |                   |     |                   |     |                   |     |
| 110142    | 1   |                   |     |                   |     |                   |     |                   |     |
| 6063E2    | 6   |                   |     |                   |     |                   |     |                   |     |



Revised 1-17-2024

| Part #  | Description                         | Qty |
|---------|-------------------------------------|-----|
| 0001.08 | RETAINER RING                       | 2   |
| 0002.A6 | SHAFT TS 2C                         | 1   |
| 0003.10 | PRESSURE ACCUMULATOR BASE           | 1   |
| 0007.49 | OIL SEAL D35                        | 2   |
| 0102.01 | DIAPHRAGM BOLT "ZETA/KAPPA 121" ●▼  | 3   |
| 0202.72 | HOSE BARB D40                       | 1   |
| 0206.19 | SLEEVE D75 "OMEGA 135/139"          | 3   |
| 0208.21 | PRESSURE ACCUMULATOR COVER          | 1   |
| 0208.22 | OIL RESERVOIR COVER                 | 1   |
| 0209.98 | CRANKCASE                           | 1   |
| 0214.24 | BALL BEARING D35                    | 2   |
| 0216.07 | ROLLER BEARING D55                  | 1   |
| 0301.07 | DIAPHRAGM DISC ●▼                   | 3   |
| 0301.28 | ROD DISC                            | 2   |
| 0302.59 | ROD SPACER                          | 2   |
| 0303.47 | HEX NUT M8X8                        | 8   |
| 0501.L2 | BUSHING FLANGE                      | 1   |
| 0604.09 | BRASS NUT G1/2                      | 1   |
| 0604.50 | BARB NUT G1-1/2"                    | 1   |
| 0605.09 | GASKET D17                          | 2   |
| 0605.43 | GASKET D17                          | 1   |
| 0608.16 | AIR VALVE ASSY                      | 1   |
| 0608.26 | HOSE BARB D13+GASKET                | 1   |
| 0608.45 | BALL VALVE RIGHT                    | 1   |
| 0608.46 | BALL VALVE LEFT                     | 1   |
| 0903.02 | PISTON DIAPHRAGM BUNA-N 116MM ▲     | 3   |
| 0903.16 | ACCUMULATOR DIAPHRAGM ▲◆◆▼          | 1   |
| 0903.61 | PISTON DIAPHRAGM GREENTECH 116MM ◆▼ | 3   |
| 1101.01 | O-RING - VALVE ▲◆◆▼                 | 6   |
| 1101.25 | O-RING - ACCUMULATOR                | 1   |
| 1101.42 | O-RING - INLET HOSE BARB▼           | 1   |
| 1101.58 | O-RING - BEARING FLANGE             | 1   |
| 1101.68 | O-RING - OIL RESERVOIR              | 1   |
| 1101.85 | O-RING - OIL RESERVOIR              | 1   |
| 1101.G3 | O-RING - PLUG                       | 3   |

| Part #    | Description                         | Qty |
|-----------|-------------------------------------|-----|
| 1202.87   | BASE PLATE                          | 2   |
| 1203.49   | OIL RESERVOIR                       | 1   |
| 1205.08   | ALUMINIUM PISTON D75                | 3   |
| 1403.05   | WASHER M8                           | 11  |
| 1403.49   | WASHER M10                          | 38  |
| 1406.A4   | ELBOW G3/8 M - G3/8 F               | 2   |
| 1502.01   | PIN D18X64                          | 3   |
| 1506.02   | SNAP RING D18                       | 3   |
| 1506.16   | SNAP RING D55                       | 2   |
| 1509.05   | PISTON RING D75                     | 3   |
| 1519.20   | CONNECTING ROD                      | 3   |
| 1601.47   | SUCTION MANIFOLD                    | 1   |
| 1603.64   | PLUG G3/8                           | 3   |
| 1603.74   | PLUG G3/4                           | 3   |
| 1604.11   | HEAD "BETA-S 135"                   | 3   |
| 1605.47   | OUTLET MANIFOLD "BETA-S 135"        | 1   |
| 1804.54   | HEX BOLT M8X35                      | 8   |
| 1804.99   | HEX BOLT M10X25                     | 8   |
| 1805.25   | ALLEN BOLT M10X45                   | 30  |
| 1805.57   | ALLEN BOLT M8X22                    | 3   |
| 6006.97   | VALVE ASSEMBLY W/O O-RING ■▼        | 6   |
| 6015.53   | ROD ASSEMBLY D75                    | 3   |
| 6031.02   | PRESSURE ACCUMULATOR ASSEMBLY       | 1   |
| 6033.12   | OIL RESERVOIR ASSEMBLY              | 1   |
| 6062.16   | DIAPHRAGM BOLT/WASHER KIT (KIT 515) | 1   |
| 6062.D9   | IN/OUTLET VALVE KIT (KIT 642)       | 1   |
| 6062.E7   | DIAPHRAGM KIT - BUNA-N (KIT 649)    | 1   |
| 6062.E8   | DIAPHRAGM KIT - GREENTECH (KIT 650) | 1   |
| 8700.30CK | COMPLETE REPAIR KIT                 | 1   |

- Parts in 6062.16 (Kit 515)
- Parts in 6062.D9 (Kit 642)
- ▲ Parts in 6062.E7 (Kit 649)
- ◆ Parts in 6062.E8 (Kit 650)
- ▼ Parts in 8700.30CK Complete Repair Kit

# BETA-S 135 DIMENSIONS

All Dimensions are WITHOUT Control Unit or Regulator

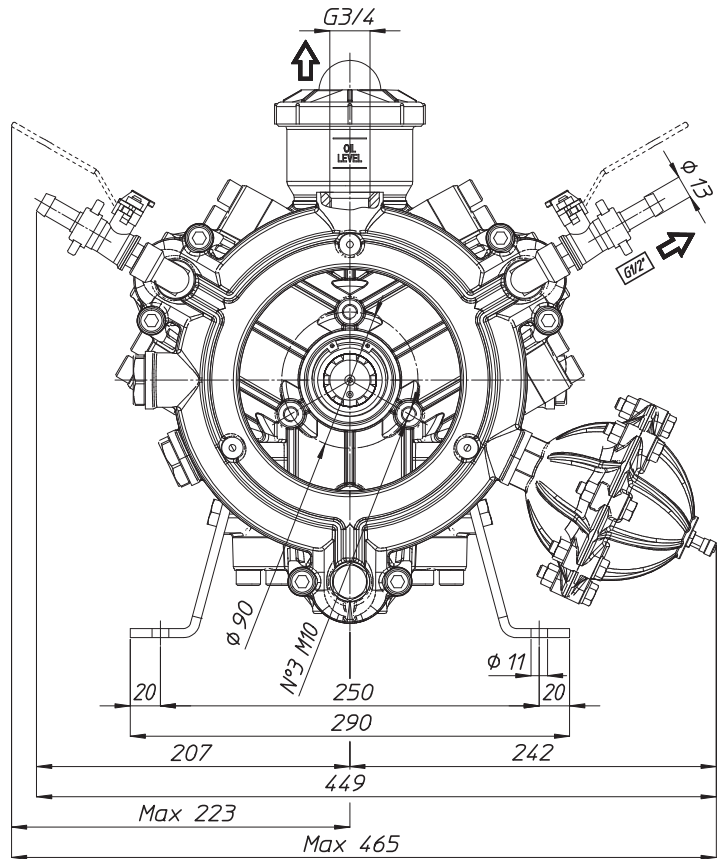
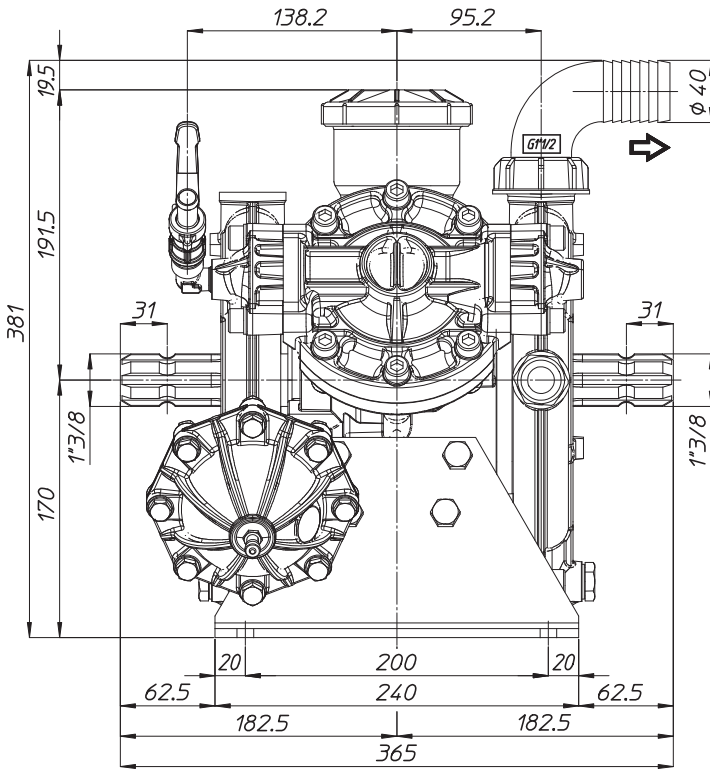
Dimensional Drawings are Shown in Millimeters. To Convert to Inches, Multiply Dimension x 0.03937

## Specifications

## BETA-S 135

|                          |                        |
|--------------------------|------------------------|
| Inlet Port - Hose Barb   | 1-1/2" HB              |
| Outlet Ports - Hose Barb | (2) 3/4" HB            |
| Bypass - Hose Barb       | 1" HB                  |
| Dimensions               | 16"L x 15.5"W x 12.6"H |
| Diaphragm Material       | GREENTECH (Standard)   |

**Lubrication:** Requires 54 oz. of Udor Lube 40W Premium Pump Oil.  
Alternate Oil: 30W non-detergent or 15W-40 non-detergent oil.



## TORQUE SPECS

| Ref. | Description                       | Ft./lb. | Nm |
|------|-----------------------------------|---------|----|
| 1    | Diaphragm Bolts (Use Loctite 243) | 22      | 30 |
| 2    | Head Bolts                        | 37      | 50 |
| 3    | Pulsation Dampener Bolts          | 20      | 28 |
| 4    | Bearing Flange Bolts              | 25      | 34 |
| 5    | Oil Cup Bolts                     | 7       | 10 |
| 6    | Manifold Bolts - Aluminum/Brass   | 22      | 30 |

