

- Brass Manifold
- Heat Treated Crankshaft
- Stainless Steel Piston Guides
- High Strength Aluminum Alloy Connecting Rods
- Industrial Quality Tapered Roller Bearings
- Solid Ceramic Plungers
- Stainless Steel Check Valves
- Heavy Duty Flat Base High Pressure Seals
- Replaceable PTFE Coated Body Guides
- 15.4 oz. Capacity Vented Oil Bath Crank Case
- 1/2" BSP-F Inlet, 3/8" BSP-F Outlet
- Max Fluid Temp, 160°F

### BD Series 24mm Keyed Solid Shaft Plunger Pumps

BD Series standard duty plunger pumps include a wide range of models with flow rates from 3.4 to 5.5 GPM and pressures up to 2900 PSI.

Other drive options include electric motor flange, gas engine flange, gas engine gear reduction and hydraulic motor flange.

Applications include general pressure cleaning, sewer jetting, vehicle wash equipment and fire fighting applications.

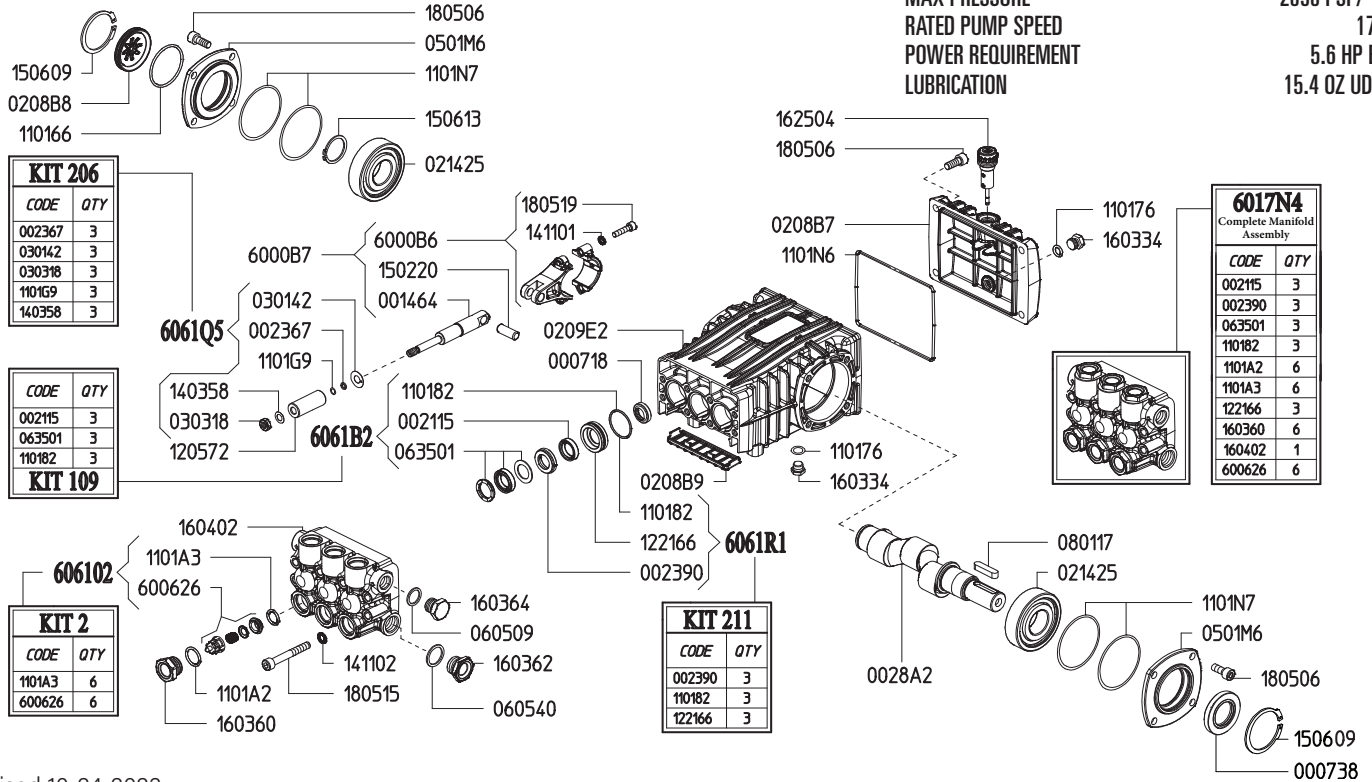
	Model	Flow		Pressure		Plunger Dia.	Crankshaft		Power	Seal Kit	Valve Kit	Wt.
		GPM	l/min	PSI	bar		Stroke	Code				
1750 RPM	BD 4.0/20 S	4.1	15.0	2030	140	15mm	18.0mm	9	5.6 EBHP	6061.B2	6061.02	20 lbs
	BD 4.0/30 S	4.1	15.0	2900	200	15mm	18.0mm	9	7.9 EBHP	6061.B2	6061.02	20 lbs
	BD 5.0/30 S	4.8	18.2	2900	200	18mm	14.5mm	1	9.3 EBHP	6061.28	6061.02	20 lbs
	BD 6.0/30 S	6.0	22.7	2900	200	18mm	18.0mm	9	11.6 EBHP	6061.28	6061.02	20 lbs

NOTE: All pump models available with left-hand drive option. Add 'L' to model number when ordering (ex. BD 6.0/30 SL)



MAX FLOW  
MAX PRESSURE  
RATED PUMP SPEED  
POWER REQUIREMENT  
LUBRICATION

4.1 GPM / 15.0 L/MIN  
2030 PSI / 140 BAR  
1750 RPM  
5.6 HP ELECTRIC  
15.4 OZ UDOR LUBE



Revised 10-24-2023

Part #	Description	Qty	Part #	Description	Qty
0007.18	OIL SEAL D15X24X5	3	1205.72	CERAAMIC PLUNGER D15 "B/BK"	3
0007.38	OIL SEAL D30	1	1221.66	PRESSURE RING D15 "B/BK" <sup>D E</sup>	3
0014.64	PLUNGER GUIDE "B/BK"	3	1403.58	WASHER D8 <sup>C</sup>	3
0021.15	WATER SEAL LP D15X22X5.7 <sup>B E</sup>	3	1411.01	SERATED WASHER D6	6
0023.67	RING D5.2X8X1.3 <sup>C</sup>	3	1411.02	SERATED WASHER D8	8
0023.90	UPPER RING D15 "B/BK" <sup>D E</sup>	3	1502.20	PIN D10X27	3
0028.A2	SOLID SHAFT "B/BK"	1	1506.09	SNAP RING D52	2
0208.B7	BACK COVER "B/BK"	1	1506.13	SNAP RING D30	1
0208.B8	OIL SIGHT GLASS	1	1603.34	PLUG G1/4	2
0208.B9	COVER "B/BK"	1	1603.60	VALVE PLUG D15/18/20 <sup>E</sup>	6
0209.E2	CRANKCASE "B-X/BK-X"	1	1603.62	PLUG G1/2	1
0214.25	BEARING D30	2	1603.64	PLUG G3/8	1
0301.42	SLINGER RING <sup>C</sup>	3	1604.02	HEAD "B-X" <sup>E</sup>	1
0303.18	NUT M8XH5 <sup>C</sup>	3	1625.04	OIL PLUG G3/8	1
0501.M6	BEARING FLANGE "B/BK"	2	1805.06	ALLEN BOLT M8X20	12
0605.09	GASKET D17X23X1.5	1	1805.15	ALLEN BOLT M8X60	8
0605.40	GASKET D21.5X27X1.5	1	1805.19	ALLEN BOLT M6X25	6
0635.01	HIGH PRESSURE SEAL KIT D15 <sup>B E</sup>	3	6000.B6	ROD ASSEMBLY "B/BK"	3
0801.17	KEY A8X7X35	1	6006.26	VALVE ASSEMBLY WITHOUT O-RING <sup>A E</sup>	6
1101.66	O-RING - OIL SIGHT GLASS	1	6017.N4	COMPLETE MANIFOLD ASSEMBLY	1
1101.76	O-RING - PLUG	2	6061.02	KIT 2 - VALVE KIT "PK/M/B"	1
1101.82	O-RING - PRESSURE RING <sup>B D E</sup>	3	6061.B2	KIT 109 - WATER SEAL KIT	1
1101.A2	O-RING - VALVE PLUG <sup>E</sup>	6	6061.Q5	KIT 206 - PLUNGER KIT D15/18 "B/BK"	1
1101.A3	O-RING - VALVE <sup>A E</sup>	6	6061.R1	KIT 211 - BRASS RING KIT D15 "B/BK"	1
1101.G9	O-RING - PLUNGER ROD <sup>C</sup>	3			
1101.N6	O-RING - BACK COVER	1			
1101.N7	O-RING - BEARING FLANGE	4			

<sup>A</sup> Parts in 6061.02 (Kit 2).

<sup>B</sup> Parts in 6061.B2 (Kit 109).

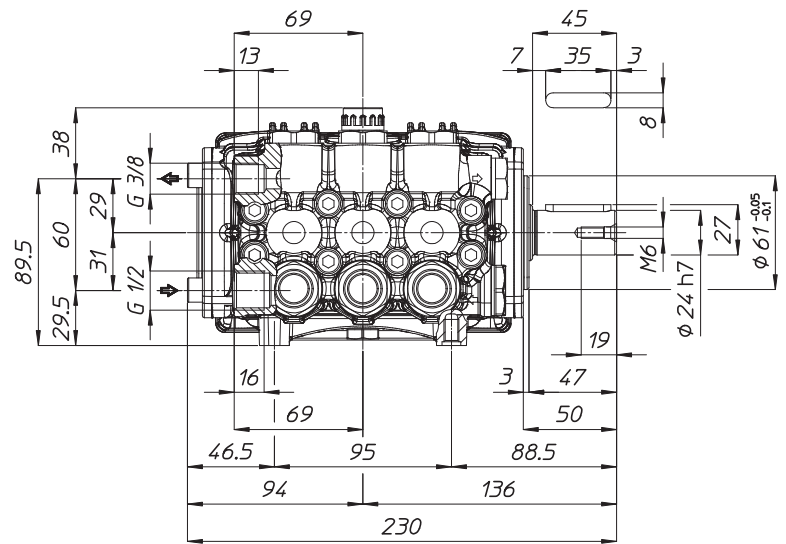
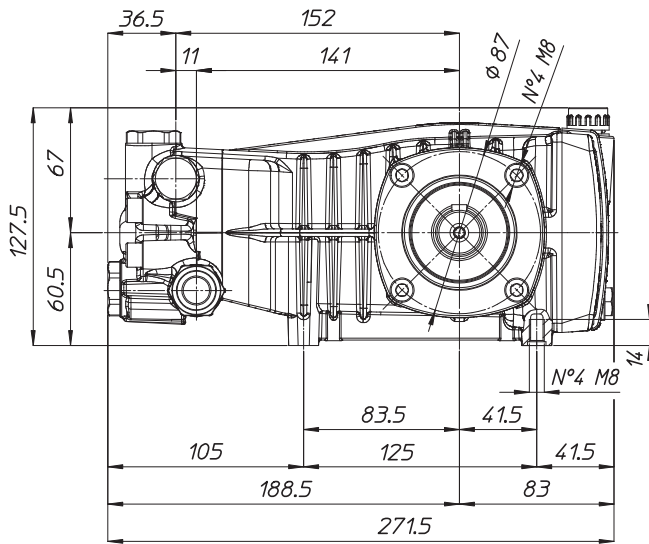
<sup>C</sup> Parts in 6061.Q5 (Kit 206).

<sup>D</sup> Parts in 6061.R1 (Kit 211).

<sup>E</sup> Parts in 6017.N4 (Complete Manifold Assembly).

*Dimensional Drawings are  
Shown in Millimeters.  
To Convert to Inches,  
Multiply Dimension x 0.03937*

## B SERIES PUMPS - 24MM SOLID SHAFT



## TORQUE SPECS

Ref.	Description	Ft./lb.	Nm	Loctite®
1	Head Bolts	19	25	-
2	Valve Caps	75	100	243
3	Inlet Cap	75	100	243
4	Outlet Cap	60	80	243
5	Bearing Flange Bolts	19	25	-
6	Rear Cover Bolts	19	25	-
7	Connecting Rod Bolts	9	11	243
8	Plunger Bolts	11	15	270
9	Valve Cover Bolts	-	-	-
10	Oil Drain Plug	19	25	-

