

- Brass Manifold
- Heat Treated Crankshaft
- Stainless Steel Piston Guides
- High Strength Aluminum Alloy Connecting Rods
- Industrial Quality Tapered Roller Bearings
- Solid Ceramic Plungers
- Stainless Steel Check Valves
- Heavy Duty Flat Base High Pressure Seals
- Replaceable PTFE Coated Body Guides
- 15.4 oz. Capacity Vented Oil Bath Crank Case
- 1/2" BSP-F Inlet, 3/8" BSP-F Outlet
- Max Fluid Temp, 160°F

### BC Series 24mm Keyed Solid Shaft Plunger Pumps

BC Series standard duty plunger pumps include a wide range of models with flow rates from 3.4 to 5.5 GPM and pressures up to 2900 PSI.

Other drive options include electric motor flange, gas engine flange, gas engine gear reduction and hydraulic motor flange.

Applications include general pressure cleaning, sewer jetting, vehicle wash equipment and fire fighting applications.

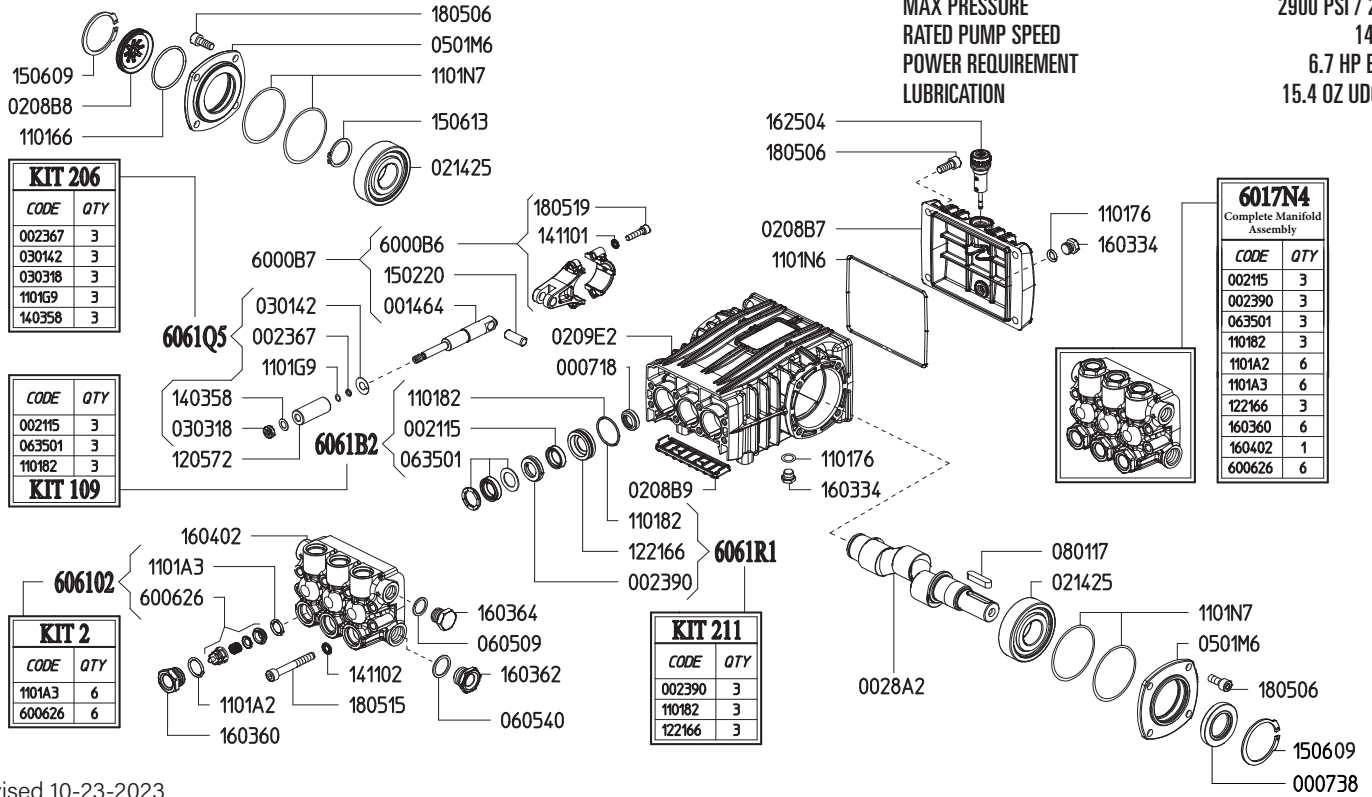
	Model	Flow		Pressure		Plunger Dia.	Crankshaft		Power	Seal Kit	Valve Kit	Wt.
		GPM	l/min	PSI	bar		Stroke	Code				
1450 RPM	BC 13/20 S	3.4	13.0	2900	200	15mm	18.0mm	9	6.7 EBHP	6061.B2	6061.02	20 lbs
	BC 15/20 S	4.0	15.0	2900	200	18mm	14.5mm	1	7.7 EBHP	6061.28	6061.02	20 lbs
	BC 18/20 S	4.9	18.5	2900	200	18mm	18.0mm	9	9.5 EBHP	6061.28	6061.02	20 lbs
	BC 21/20 S	5.5	21.0	2900	200	18mm	19.0mm	Y	10.8 EBHP	6061.28	6061.02	20 lbs

NOTE: All pump models available with left-hand drive option. Add 'L' to model number when ordering (ex. BC 13/20 SL)



3.4 GPM / 13.0 L/MIN  
 2900 PSI / 200 BAR  
 1450 RPM  
 6.7 HP ELECTRIC  
 15.4 OZ UDOR LUBE

MAX FLOW  
 MAX PRESSURE  
 RATED PUMP SPEED  
 POWER REQUIREMENT  
 LUBRICATION



Revised 10-23-2023

Part #	Description	Qty	Part #	Description	Qty
0007.18	OIL SEAL D15X24X5	3	1221.66	PRESSURE RING D15 "B/BK" <sup>D E</sup>	3
0007.38	OIL SEAL D30	1	1403.58	WASHER D8 <sup>C</sup>	3
0014.64	PLUNGER GUIDE "B/BK"	3	1411.01	SERATED WASHER D6	6
0021.15	WATER SEAL LP D15X22X5.7 <sup>B E</sup>	3	1411.02	SERATED WASHER D8	8
0023.67	RING D5.2X8X1.3 <sup>C</sup>	3	1502.20	PIN D10X27	3
0023.90	UPPER RING D15 "B/BK" <sup>D E</sup>	3	1506.09	SNAP RING D52	2
0028.A2	SOLID SHAFT "B/BK"	1	1506.13	SNAP RING D30	1
0208.B7	BACK COVER "B/BK"	1	1603.34	PLUG G1/4	2
0208.B8	OIL SIGHT GLASS	1	1603.60	VALVE PLUG D15/18/20 <sup>E</sup>	6
0208.B9	COVER "B/BK"	1	1603.62	PLUG G1/2	1
0209.E2	CRANKCASE "B-X/BK-X"	1	1603.64	PLUG G3/8	1
0214.25	BEARING D30	2	1604.02	HEAD "B-X" <sup>E</sup>	1
0301.42	SLINGER RING <sup>C</sup>	3	1625.04	OIL PLUG G3/8	1
0303.18	NUT M8XH5 <sup>C</sup>	3	1805.06	ALLEN BOLT M8X20	12
0501.M6	BEARING FLANGE "B/BK"	2	1805.15	ALLEN BOLT M8X60	8
0605.09	GASKET D17X23X1.5	1	1805.19	ALLEN BOLT M6X25	6
0605.40	GASKET D21.5X27X1.5	1	6000.B6	ROD ASSEMBLY "B/BK"	3
0635.01	HIGH PRESSURE SEAL KIT D15 <sup>B E</sup>	3	6006.26	VALVE ASSEMBLY WITHOUT O-RING <sup>A E</sup>	6
0801.17	KEY A8X7X35		6017.N4	COMPLETE MANIFOLD ASSEMBLY	1
1101.66	O-RING - OIL SIGHT GLASS	1	6061.02	KIT 2 - VALVE KIT "PK/M/B"	1
1101.76	O-RING - PLUG	2	6061.B2	KIT 109 - WATER SEAL KIT	1
1101.82	O-RING - PRESSURE RING <sup>B D E</sup>	3	6061.Q5	KIT 206 - PLUNGER KIT D15/18 "B/BK"	1
1101.A2	O-RING - VALVE PLUG <sup>E</sup>	6	6061.R1	KIT 211 - BRASS RING KIT D15 "B/BK"	1
1101.A3	O-RING - VALVE <sup>A E</sup>	6			
1101.G9	O-RING - PLUNGER ROD <sup>C</sup>	3			
1101.N6	O-RING - BACK COVER	1			
1101.N7	O-RING - BEARING FLANGE	4			
1205.72	CERAAMIC PLUNGER D15 "B/BK"	3			

A Parts in 6061.02 (Kit 2).  
 B Parts in 6061.B2 (Kit 109).  
 C Parts in 6061.Q5 (Kit 206).  
 D Parts in 6061.R1 (Kit 211).  
 E Parts in 6017.N4 (Complete Manifold Assembly).

