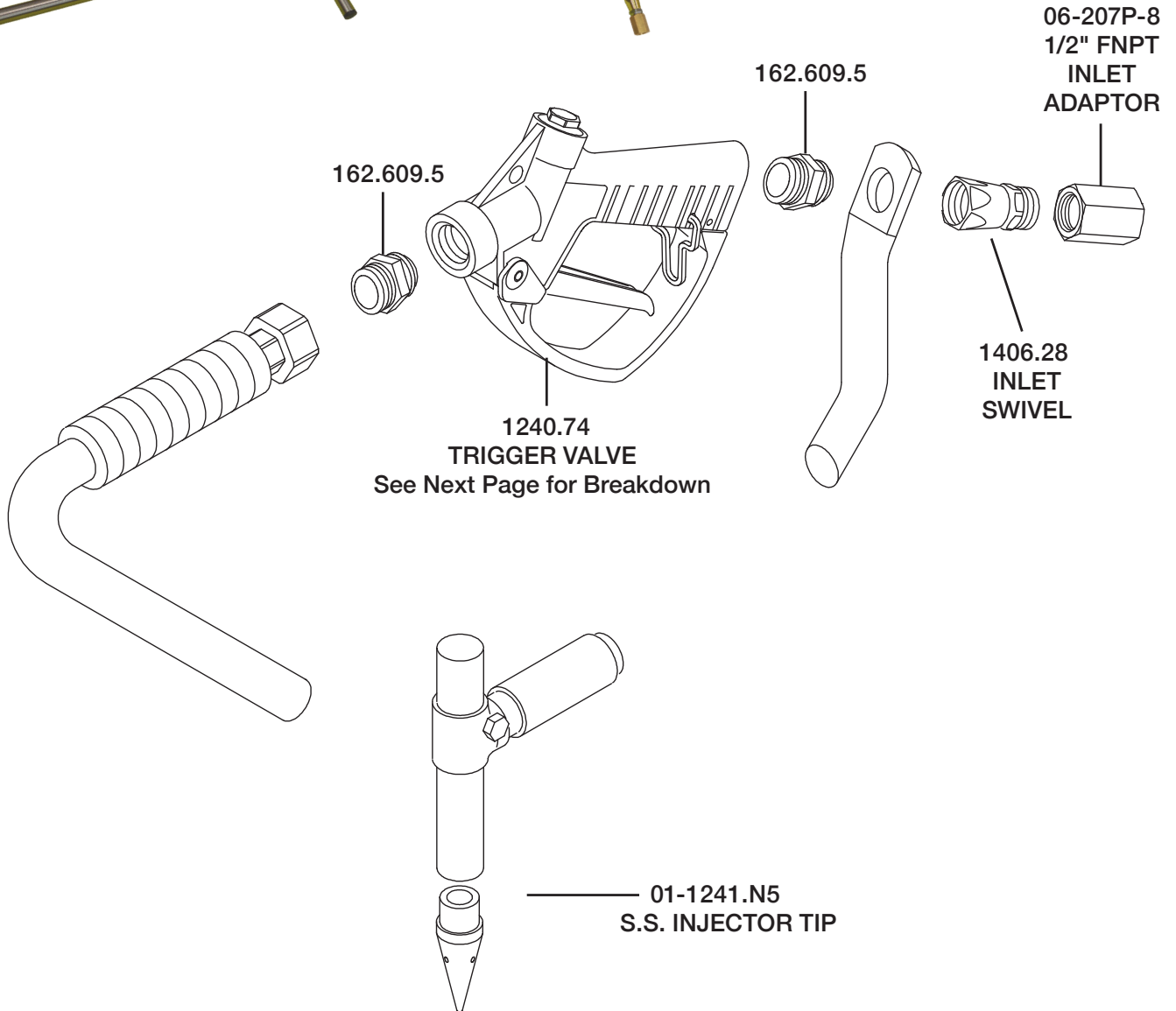


## High Performance Root Feeder

Maximum Flow	10.0 GPM / 38 lpm
Maximum Pressure	450 PSI / 30 bar
Inlet	1/2" FNPT

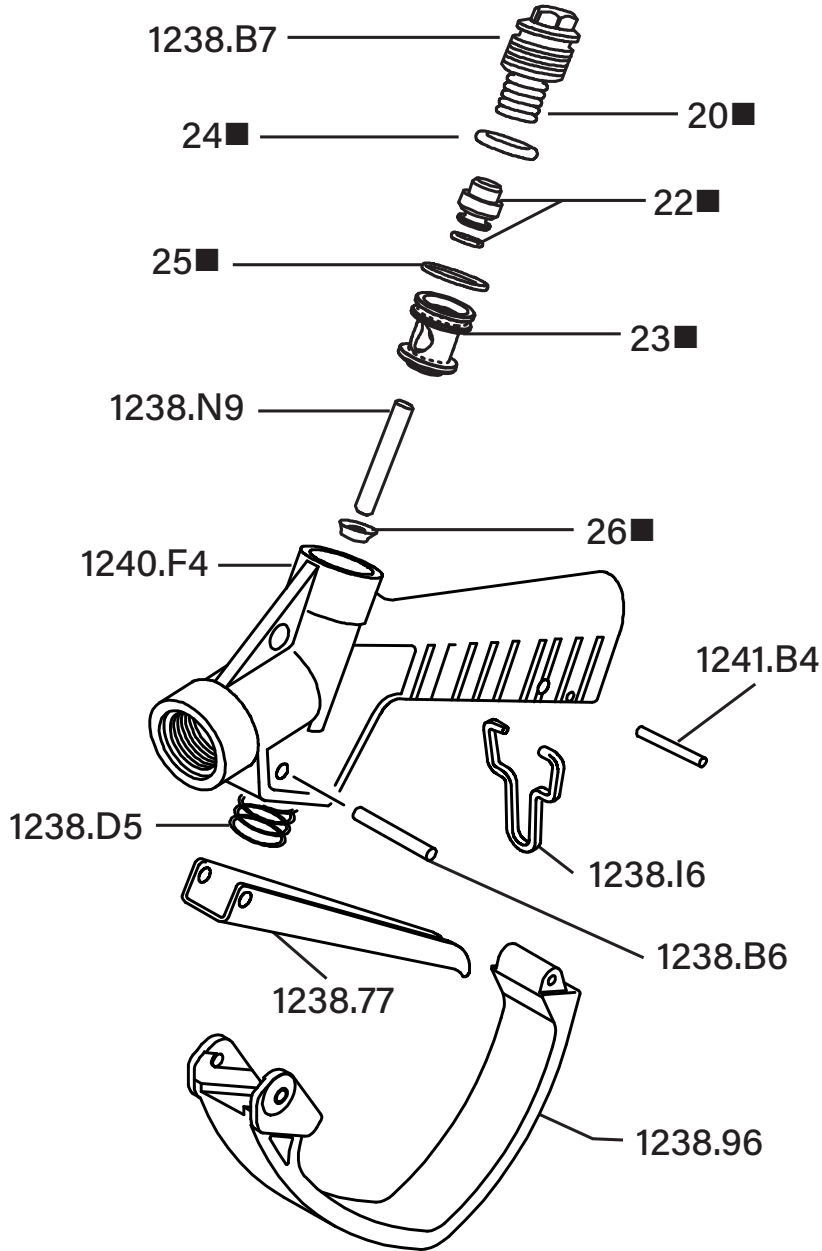
Revised 3-12-2026



## 23.208.84 Trigger Spray Gun

Maximum Flow  
Maximum Pressure

15.0 GPM / 57 lpm  
850 PSI / 58 bar



Revised 3-13-2026

Part #	Description	Qty
1238.77	Trigger	1
1238.96	Trigger Guard	1
1238.B6	Trigger Pin	1
1238.B7	Plug	1
1238.D5	Spring	1
1238.I6	Trigger clip	1
1238.N9	Plunger	1
1240.F4	Gun Body	1
1241.B4	Pin	1

Part #	Description	Qty
20 ■	Spring	1
22 ■	Poppet Assy	1
23 ■	Seat	1
24 ■	O-Ring	1
25 ■	O-Ring	1
26 ■	Seal	1
8711.08	Repair Kit	

■ Parts Included in Repair Kit 8711.08