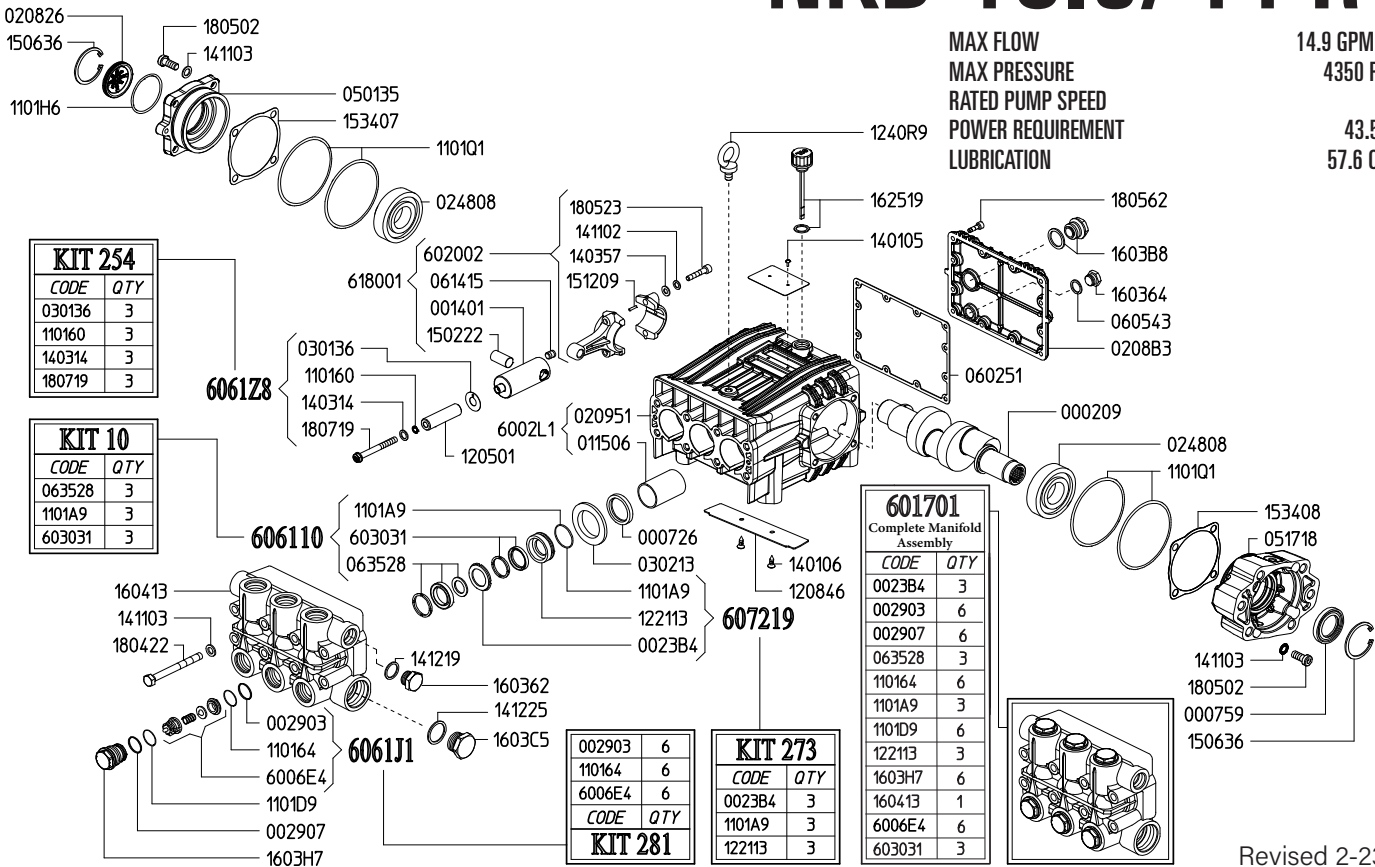


MAX FLOW  
MAX PRESSURE  
RATED PUMP SPEED  
POWER REQUIREMENT  
LUBRICATION

14.9 GPM / 56.6 L/MIN  
4350 PSI / 300 BAR  
1750 RPM  
43.5 HP ELECTRIC  
57.6 OZ UDOR LUBE



Revised 2-23-2022

Part #	Description	Qty	Part #	Description	Qty
0002.09	CRANKSHAFT MI	1	1411.03	WASHER	16
0007.26	OIL SEAL D35	3	1412.19	BONDED WASHER D21.5	1
0007.59	OIL SEAL	1	1412.25	BONDED WASHER D33.9 (G1")	1
0014.01	PLUNGER GUIDE	3	1502.22	PIN	3
0023.B4	UPPER RING D22 <sup>D E</sup>	3	1506.36	SNAP RING	2
0029.03	BACK UP RING <sup>C E</sup>	6	1512.09	PIN D5X20	6
0029.07	RING - VALVE PLUG <sup>E</sup>	6	1534.07	GASKET - BEARING FLANGE	1
0115.06	BUSHING D35	3	1534.08	SPACER / GASKET	1
0208.26	OIL SIGHT GLASS	1	1603.62	PLUG G1/2"	1
0208.B3	BACK COVER	1	1603.64	PLUG 3/8"	1
0209.51	CRANKCASE	1	1603.B8	OIL SIGHT GLASS W/GASKET	1
0248.08	BALL BEARING	2	1603.C5	PLUG G1"	1
0301.36	SLINGER RING <sup>A</sup>	3	1603.H7	VALVE PLUG D22/25 <sup>E</sup>	6
0302.13	SPACER	3	1604.13	HEAD D22 <sup>E</sup>	1
0501.35	BEARING FLANGE	1	1625.19	OIL CAP W/GASKET	1
0517.18	BEARING FLANGE - MI	1	1804.22	HEX BOLT M10X100	8
0602.51	GASKET - PUMP BODY	1	1805.02	ALLEN BOLT	8
0605.43	GASKET - D17	1	1805.23	ALLEN BOLT M8X40	6
0614.15	SET SCREW	3	1805.62	ALLEN BOLT M6X20	12
0635.28	HIGH PRESSURE SEAL KIT D22 <sup>B E</sup>	3	1807.19	PLUNGER BOLT <sup>A</sup>	3
1101.60	O-RING - PLUNGER BOLT <sup>A</sup>	3	6002.L1	CRANKCASE ASSEMBLY	1
1101.64	O-RING - VALVE <sup>C E</sup>	6	6006.E4	VALVE ASSEMBLY W/O O-RING <sup>C E</sup>	6
1101.A9	O-RING - PRESSURE RING <sup>B D E</sup>	3	6017.01	COMPLETE MANIFOLD ASSEMBLY NK D22	1
1101.D9	O-RING - VALVE PLUG <sup>E</sup>	6	6020.02	CONNECTING ROD	3
1101.H6	O-RING - OIL SIGHT GLASS	1	6030.31	LOW PRESSURE SEAL KIT D22 <sup>B E</sup>	3
1101.Q1	O-RING - BEARING FLANGE	4	6180.01	CONNECTING ROD ASS'Y COMPLETE	3
1205.01	CERAMIC PLUNGER D22	3	6061.10	WATER SEAL KIT (KIT 10)	1
1208.46	PLATE	1	6061.J1	VALVE KIT (KIT 281)	1
1221.13	PRESSURE RING D22 <sup>D E</sup>	3	6061.Z8	PLUNGER BOLT KIT (KIT 254)	1
1240.R9	LIFTING HOOK M10	1	6072.19	BRASS RING KIT D22 (KIT 273)	1
1401.05	RIVET 3.5X8	2			
1401.06	RIVET D4X10	2			
1403.14	WASHER - PLUNGER BOLT <sup>A</sup>	3			
1403.57	WASHER M8	6			
1411.02	SERRATED WASHER D8	6			

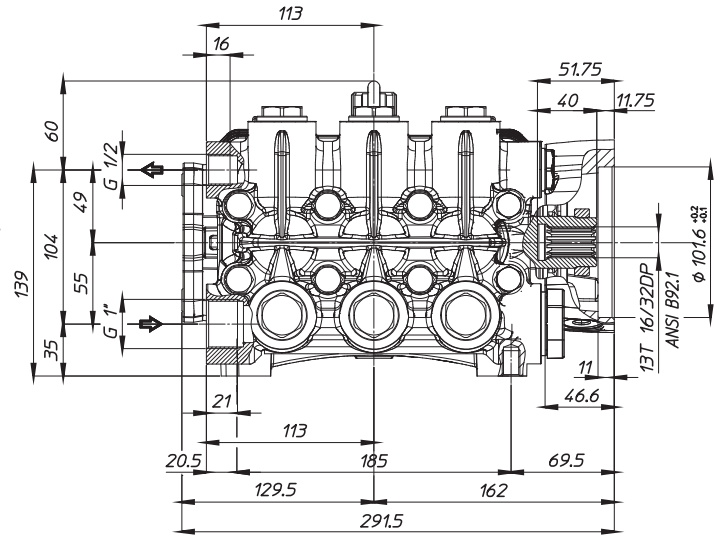
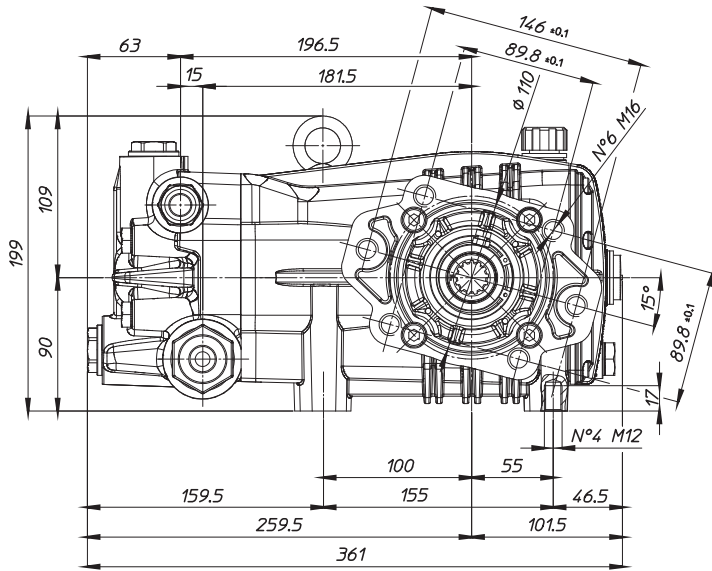
<sup>A</sup> Parts in 6061.Z8 (Kit 254).  
<sup>B</sup> Parts in 6061.10 (Kit 10).  
<sup>C</sup> Parts in 6061.J1 (Kit 281).  
<sup>D</sup> Parts in 6072.19 (Kit 273).  
<sup>E</sup> Parts in 6017.01 (Complete Manifold Assembly).

WEIGHT  
LUBRICATION

67 LBS  
57.6 OZ UDOR LUBE

*Dimensional Drawings are  
Shown in Millimeters.  
To Convert to Inches,  
Multiply Dimension x 0.03937*

## NK SERIES PUMPS - MI Flange, 22/25mm Plungers



## TORQUE SPECS

Ref.	Description	Ft./lb.	Nm	Loctite®
1	Head Bolts	37	50	-
2	Valve Caps	88	120	243
3	Inlet Cap	133	180	-
4	Outlet Cap	88	120	243
5	Bearing Flange Bolts	37	50	-
6	Rear Cover Bolts	8	11	-
7	Connecting Rod Bolts	19	25	243
8	Plunger Bolts	22	30	270
9	Valve Cover Bolts	-	-	-
10	Oil Drain Plug	8	11	-

