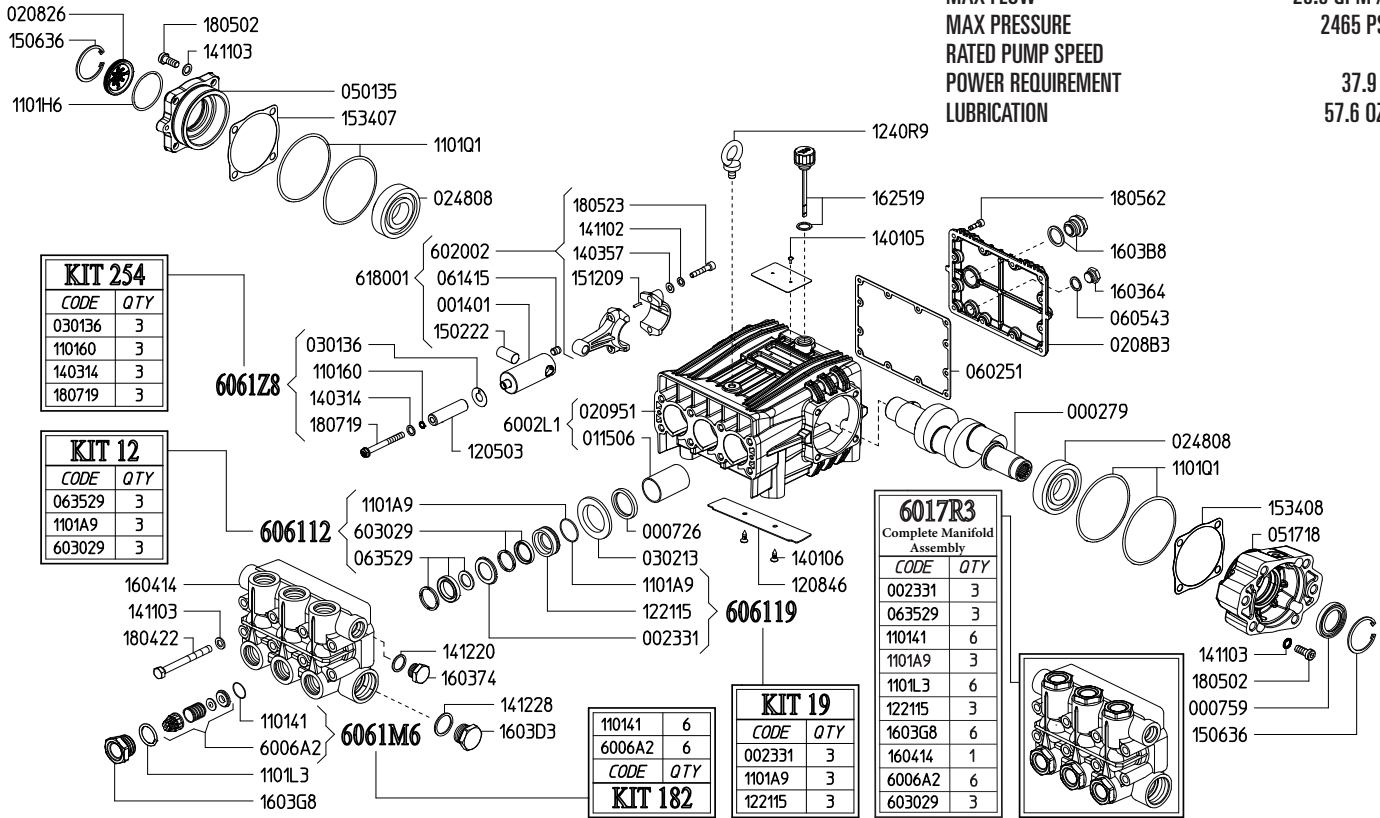


MAX FLOW  
MAX PRESSURE  
RATED PUMP SPEED  
POWER REQUIREMENT  
LUBRICATION

23.0 GPM / 87.0 L/MIN  
2465 PSI / 170 BAR  
1450 RPM  
37.9 HP ELECTRIC  
57.6 OZ UDOR LUBE



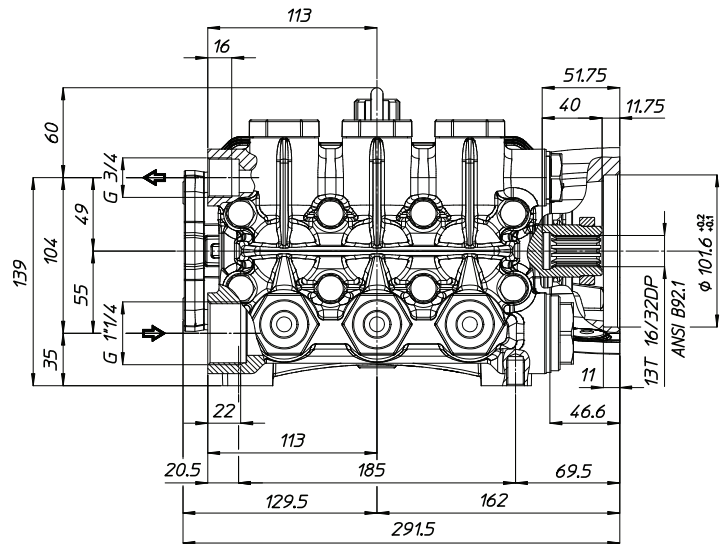
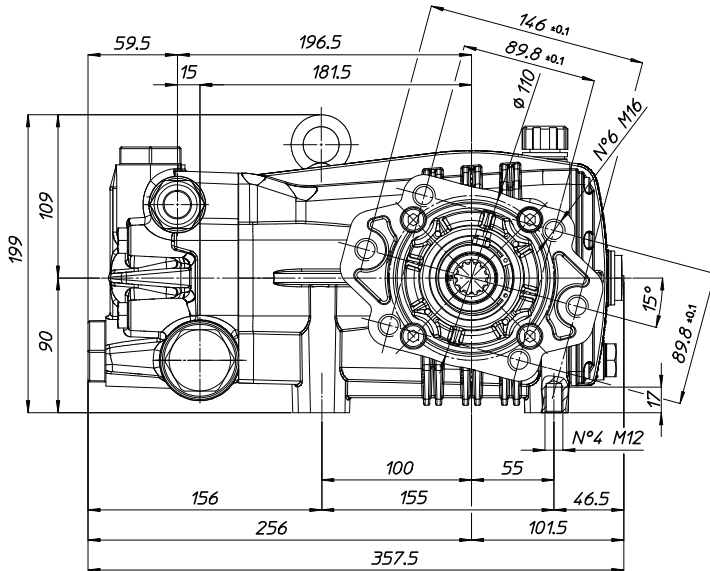
Revised 2-23-2022

Part #	Description	Qty	Part #	Description	Qty
0002.79	CRANKSHAFT MI	1	1412.20	BONDED WASHER D27.05 (G3/4")	1
0007.26	OIL SEAL D35	3	1412.28	BONDED WASHER D42.9 (G1-1/4")	1
0007.59	OIL SEAL	1	1502.22	PIN	3
0014.01	PLUNGER GUIDE	3	1506.36	SNAP RING	2
0023.31	UPPER RING D28 <sup>D E</sup>	3	1512.09	PIN D5X20	6
0115.06	BUSHING D35	3	1534.07	GASKET - BEARING FLANGE	1
0208.26	OIL SIGHT GLASS	1	1534.08	SPACER / GASKET	1
0208.B3	BACK COVER	1	1603.64	PLUG 3/8"	1
0209.51	CRANKCASE	1	1603.74	PLUG G3/4"	1
0248.08	BALL BEARING	2	1603.B8	OIL SIGHT GLASS W/GASKET	1
0301.36	SLINGER RING <sup>A</sup>	3	1603.D3	PLUG G1-1/4"	1
0302.13	SPACER	3	1603.G8	VALVE PLUG D28/30 <sup>E</sup>	6
0501.35	BEARING FLANGE	1	1604.14	HEAD D28/30 <sup>E</sup>	1
0517.18	BEARING FLANGE - MI	1	1625.19	OIL CAP W/GASKET	1
0602.51	GASKET - PUMP BODY	1	1804.22	HEX BOLT M10X100	8
0605.43	GASKET - D17	1	1805.02	ALLEN BOLT	8
0614.15	SET SCREW	3	1805.23	ALLEN BOLT M8X40	6
0635.29	HIGH PRESSURE SEAL KIT D28 <sup>B E</sup>	3	1805.62	ALLEN BOLT M6X20	12
1101.41	O-RING - VALVE <sup>C E</sup>	6	1807.19	PLUNGER BOLT <sup>A</sup>	3
1101.60	O-RING - PLUNGER BOLT <sup>A</sup>	3	6002.L1	CRANKCASE ASSEMBLY	1
1101.A9	O-RING - PRESSURE RING <sup>B D E</sup>	3	6006.A2	VALVE ASSEMBLY W/O O-RING <sup>C E</sup>	6
1101.H6	O-RING - OIL SIGHT GLASS	1	6017.R3	COMPLETE MANIFOLD ASSEMBLY NK D28	1
1101.L3	O-RING - VALVE PLUG <sup>E</sup>	6	6020.02	CONNECTING ROD	3
1101.Q1	O-RING - BEARING FLANGE	4	6030.29	LOW PRESSURE SEAL KIT D28 <sup>B E</sup>	3
1205.03	CERAMIC PLUNGER D28	3	6180.01	CONNECTING ROD ASS'Y COMPLETE	3
1208.46	PLATE	1	6061.12	WATER SEAL KIT (KIT 12)	1
1221.15	PRESSURE RING D28 <sup>D</sup>	3	6061.19	BRASS RING KIT D28 (KIT 19)	1
1240.R9	LIFTING HOOK M10	1	6061.M6	VALVE KIT (KIT 182)	1
1401.05	RIVET 3.5X8	2	6061.Z8	PLUNGER BOLT KIT (KIT 254)	1
1401.06	RIVET D4X10	2			
1403.14	WASHER - PLUNGER BOLT <sup>A</sup>	3			
1403.57	WASHER M8	6			
1411.02	SERRATED WASHER D8	6			
1411.03	WASHER	12			

A Parts in 6061.Z8 (Kit 254).  
B Parts in 6061.10 (Kit 10).  
C Parts in 6061.J1 (Kit 281).  
D Parts in 6072.19 (Kit 273).  
E Parts in 6017.R3 (Complete Manifold Assembly).

*Dimensional Drawings are  
Shown in Millimeters.  
To Convert to Inches,  
Multiply Dimension x 0.03937*

## NK SERIES PUMPS - MI Flange, 28/30mm Plungers



## TORQUE SPECS

Ref.	Description	Ft./lb.	Nm	Loctite®
1	Head Bolts	37	50	-
2	Valve Caps	88	120	243
3	Inlet Cap	133	180	-
4	Outlet Cap	88	120	243
5	Bearing Flange Bolts	37	50	-
6	Rear Cover Bolts	8	11	-
7	Connecting Rod Bolts	19	25	243
8	Plunger Bolts	22	30	270
9	Valve Cover Bolts	-	-	-
10	Oil Drain Plug	8	11	-

