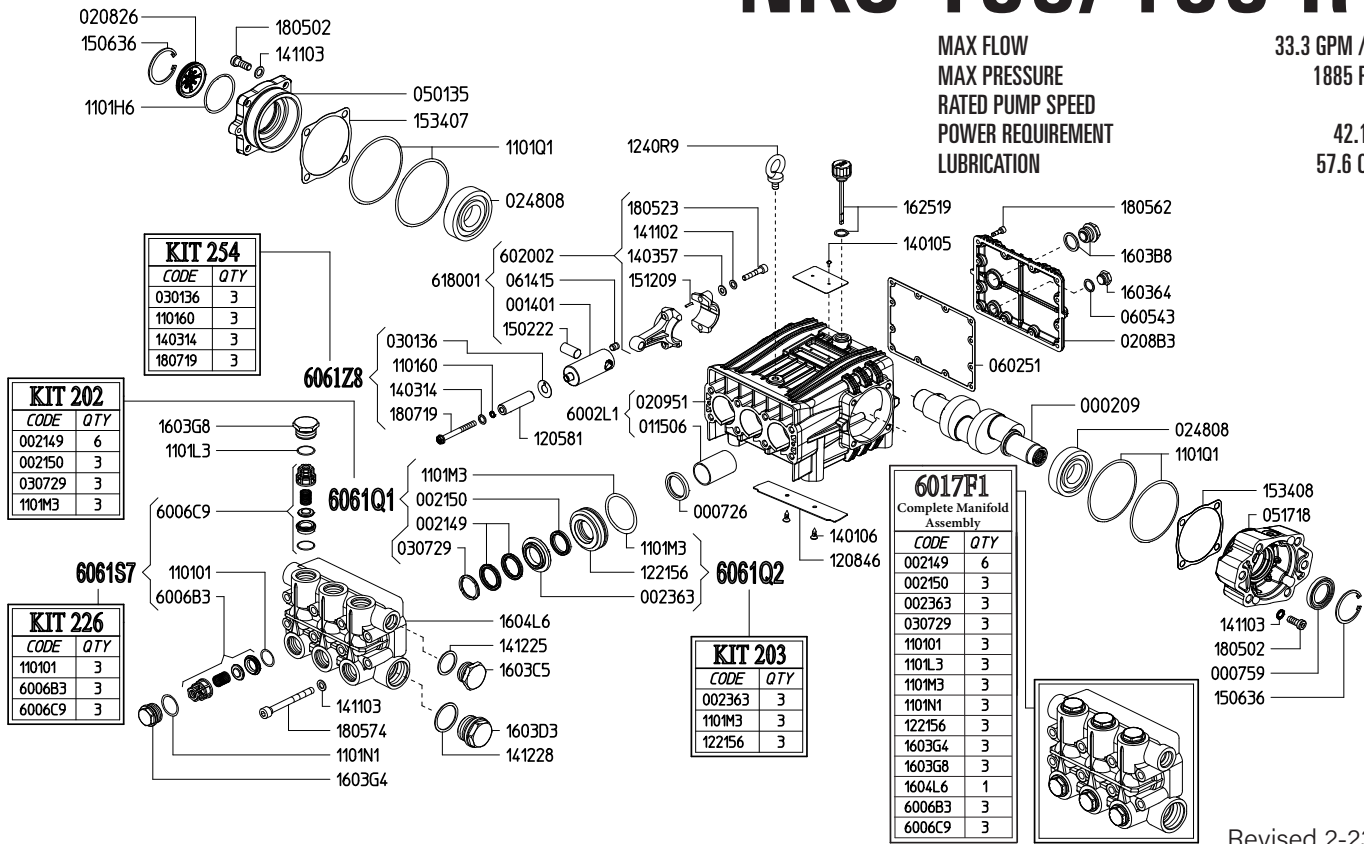


MAX FLOW
MAX PRESSURE
RATED PUMP SPEED
POWER REQUIREMENT
LUBRICATION

33.3 GPM / 126.2 L/MIN
1885 PSI / 130 BAR
1450 RPM
42.1 HP ELECTRIC
57.6 OZ UDOR LUBE



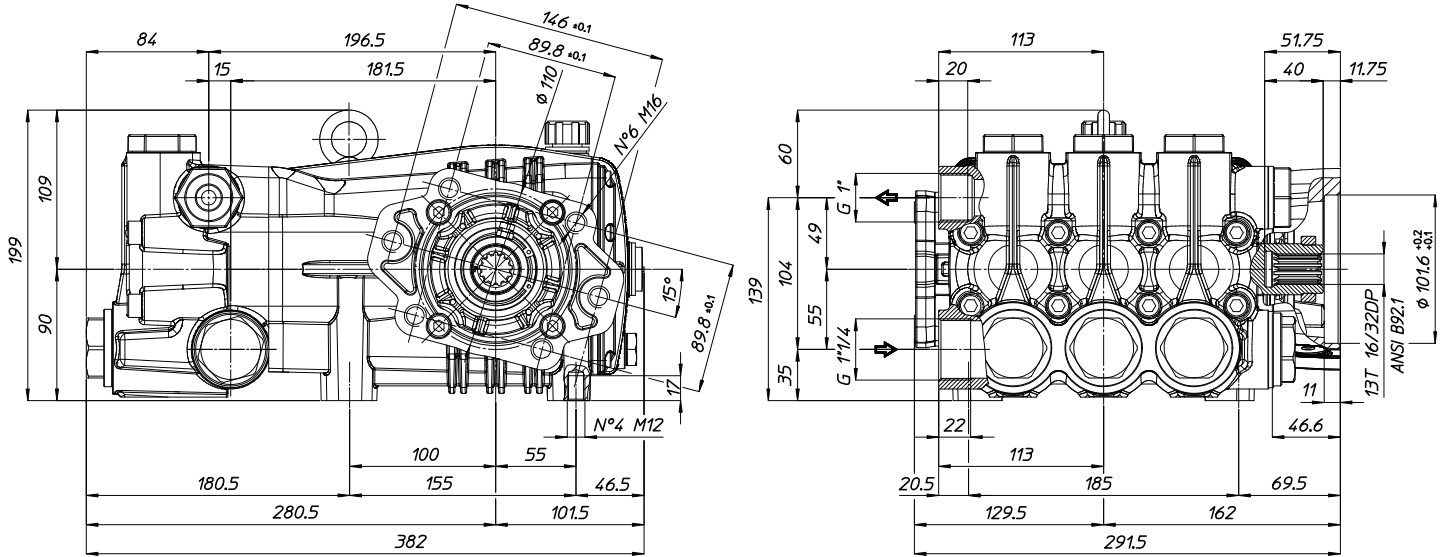
Revised 2-23-2022

Part #	Description	Qty	Part #	Description	Qty
0002.09	CRANKSHAFT MI	1	1411.03	WASHER	16
0007.26	OIL SEAL D35	3	1412.25	BONDED WASHER D33.9 (G1")	1
0007.59	OIL SEAL	1	1412.28	BONDED WASHER D42.9 (G1-1/4")	1
0014.01	PLUNGER GUIDE	3	1502.22	PIN	3
0021.49	HIGH PRESSURE SEAL D36 ^{B E}	6	1506.36	SNAP RING	2
0021.50	LOW PRESSURE SEAL D36 ^{B E}	3	1512.09	PIN D5X20	6
0023.63	UPPER RING D36 ^{D E}	3	1534.07	GASKET - BEARING FLANGE	1
0115.06	BUSHING D35	3	1534.08	SPACER / GASKET	1
0208.26	OIL SIGHT GLASS	1	1603.64	PLUG 3/8"	1
0208.B3	BACK COVER	1	1603.B8	OIL SIGHT GLASS W/GASKET	1
0209.51	CRANKCASE	1	1603.C5	PLUG G1"	1
0248.08	BALL BEARING	2	1603.D3	PLUG G1-1/4"	1
0301.36	SLINGER RING ^A	3	1603.G4	VALVE PLUG - INLET ^E	3
0302.13	SPACER	3	1603.G8	VALVE PLUG - DISCHARGE ^E	3
0307.29	BACK UP RING ^{B E}	3	1604.L6	HEAD D36 ^E	1
0501.35	BEARING FLANGE	1	1625.19	OIL CAP W/GASKET	1
0517.18	BEARING FLANGE - MI	1	1805.02	ALLEN BOLT	8
0602.51	GASKET - PUMP BODY	1	1805.23	ALLEN BOLT M8X40	6
0605.43	GASKET - D17	1	1805.62	ALLEN BOLT M6X20	12
0614.15	SET SCREW	3	1805.74	ALLEN BOLT M10X110	8
1101.01	O-RING - INLET VALVE ^{C E}	3	1807.19	PLUNGER BOLT ^A	3
1101.60	O-RING - PLUNGER BOLT ^A	3	6002.L1	CRANKCASE ASSEMBLY	1
1101.H6	O-RING - OIL SIGHT GLASS	1	6006.B3	VALVE - INLET ^{C E}	3
1101.L3	O-RING - VALVE PLUG DISCHARGE ^E	3	6006.C9	VALVE - DISCHARGE ^{C E}	3
1101.M3	O-RING - PRESSURE RING ^{B D E}	3	6017.F1	COMPLETE MANIFOLD ASSEMBLY NK D36	1
1101.N1	O-RING - VALVE PLUG INLET ^E	3	6020.02	CONNECTING ROD	3
1101.Q1	O-RING - BEARING FLANGE	4	6180.01	CONNECTING ROD ASS'Y COMPLETE	3
1205.81	CERAMIC PLUNGER D36	3	6061.Q1	WATER SEAL KIT (KIT 202)	1
1208.46	PLATE	1	6061.Q2	BRASS RING KIT D36 (KIT 203)	1
1221.56	PRESSURE RING D36 ^{D E}	3	6061.S7	VALVE KIT (KIT 226)	1
1240.R9	LIFTING HOOK M10	1	6061.Z8	PLUNGER BOLT KIT (KIT 254)	1
1401.05	RIVET 3.5X8	2			
1401.06	RIVET D4X10	2			
1403.14	WASHER - PLUNGER BOLT ^A	3			
1403.57	WASHER M8	6			
1411.02	SERRATED WASHER D8	6			

^A Parts in 6061.Z8 (Kit 254).
^B Parts in 6061.Q1 (Kit 202).
^C Parts in 6061.S7 (Kit 226).
^D Parts in 6061.Q2 (Kit 203).
^E Parts in 6017.F1 (Complete Manifold Assembly).

*Dimensional Drawings are
Shown in Millimeters.
To Convert to Inches,
Multiply Dimension x 0.03937*

NK SERIES PUMPS - MI Flange, 36mm Plungers



TORQUE SPECS

Ref.	Description	Ft./lb.	Nm	Loctite®
1	Head Bolts	37	50	-
2	Valve Caps	88	120	243
3	Inlet Cap	133	180	-
4	Outlet Cap	88	120	243
5	Bearing Flange Bolts	37	50	-
6	Rear Cover Bolts	8	11	-
7	Connecting Rod Bolts	19	25	243
8	Plunger Bolts	22	30	270
9	Valve Cover Bolts	-	-	-
10	Oil Drain Plug	8	11	-

