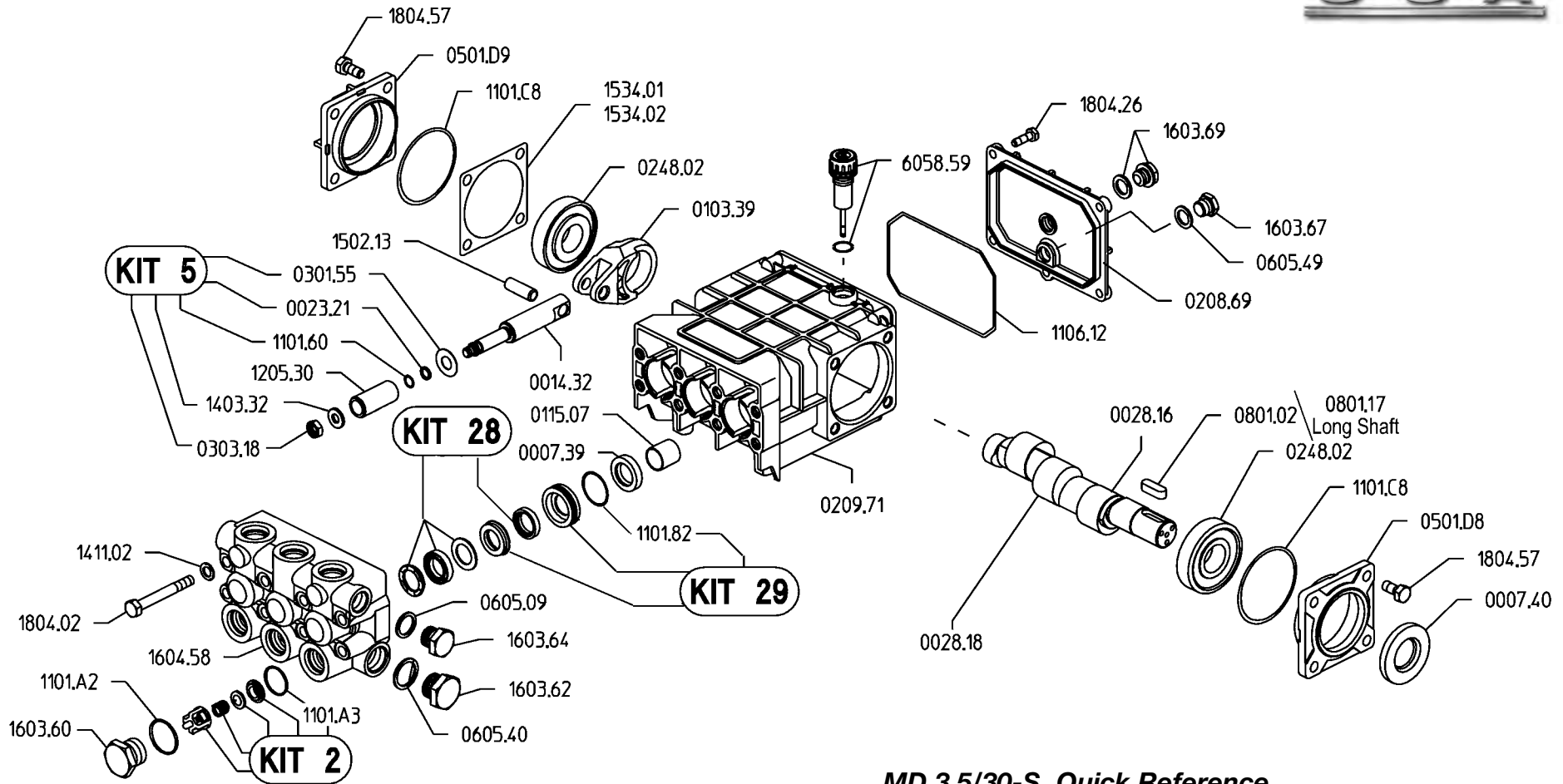


# MD 3.5/30-S



## MD 3.5/30-S Quick Reference

|                        |   |                        |              |
|------------------------|---|------------------------|--------------|
| Maximum Flow .....     | 3.5 GPM   | Valve Kit .....        | 04-KIT UD-2  |
| Maximum Pressure ..... | 3000 PSI  | Seal Kit.....          | 04-KIT UD-28 |
| Rated Pump Speed ..... | 1750 RPM  | Brass Kit .....        | 04-KIT UD-29 |
| Oil Capacity .....     | 20 oz. UDOR LUBE<br>or SAE 30W<br>Non-Detergent Oil | Plunger Bolt Kit ..... | 04-KIT UD-5  |
|                        |   | Plunger Part # .....   | 04-1205.30   |
|                        |   | Plunger Diameter.....  | 18 MM        |

**MD 3.5/30-S**