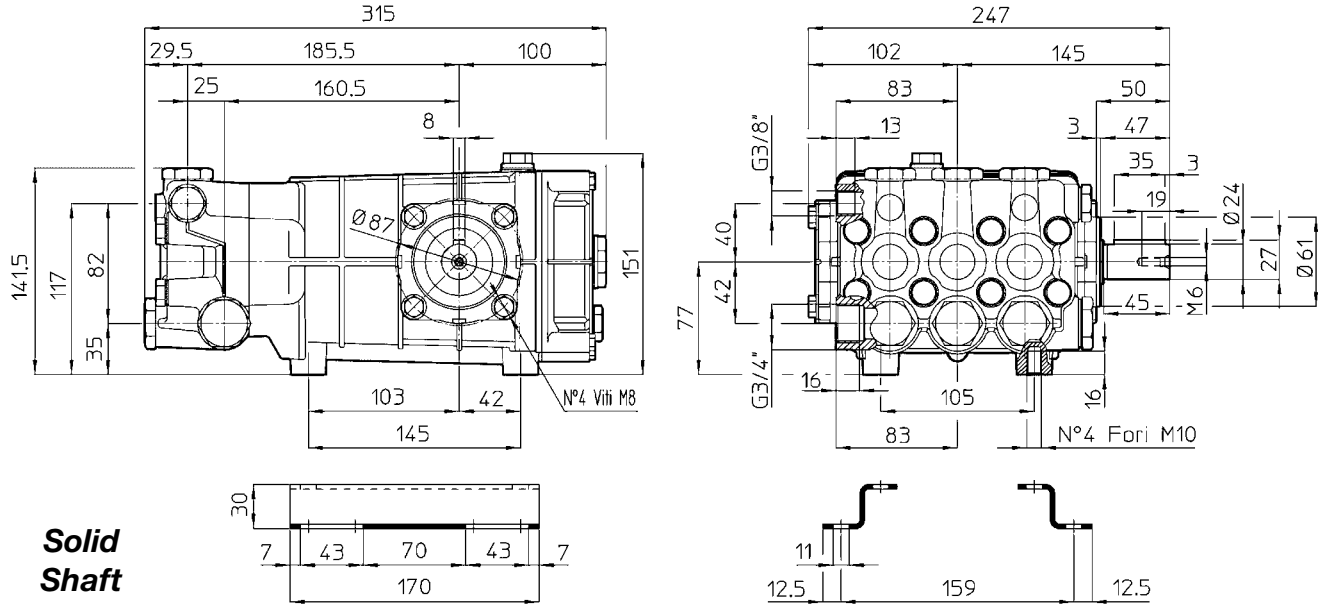




Revised 3-1-2003

G-SERIES PLUNGER PUMPS Dimensional Drawings

All dimensions are in millimeters, unless specified otherwise. (x .03937 for Inches)



**Solid
Shaft
Models**

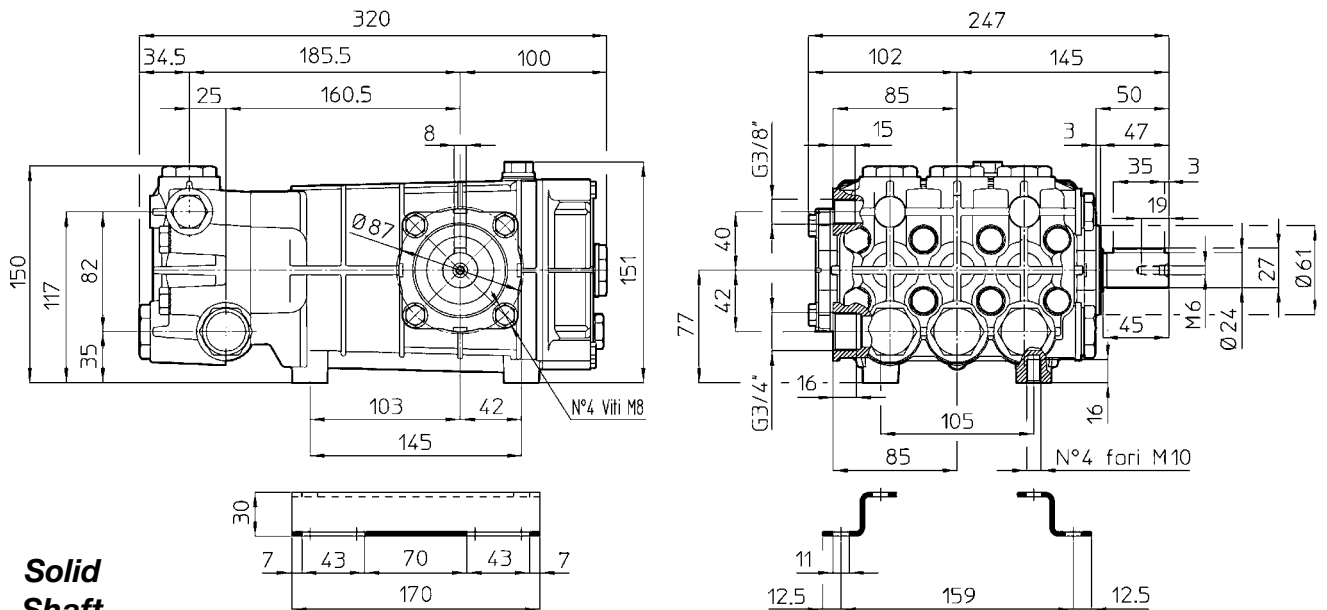
Note: G-Series Pumps with flow rates from 10-12 GPM have 1/2" FNPT discharge port.



Revised 3-1-2003

GK-SERIES SUPER-DUTY PLUNGER PUMPS Dimensional Drawings

All dimensions are in millimeters, unless specified otherwise. (x .03937 for Inches)



**Solid
Shaft
Models**

Note: G-Series Pumps with flow rates from 10-12 GPM have 1/2" FNPT discharge port.