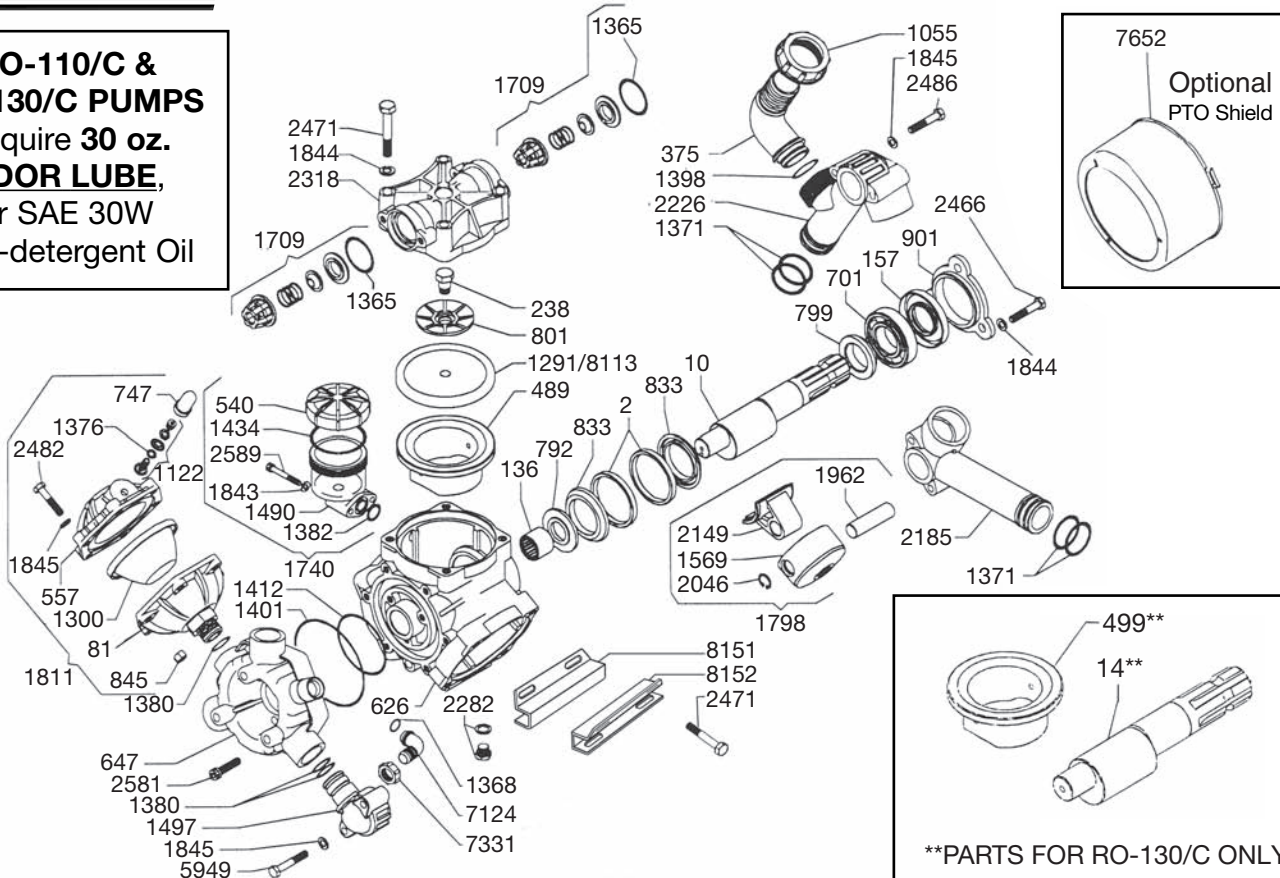




RO-110/C & RO-130/C

Exploded View Diagram and Parts List

**RO-110/C &
RO-130/C PUMPS**
Require **30 oz.**
UDOR LUBE,
or **SAE 30W**
Non-detergent Oil



REF#	PART#	DESCRIPTION	QTY	REF#	PART#	DESCRIPTION	QTY
2	0001.02	Retainer Ring	2	1401	1101.58	O-Ring	1
10	0002.59	Crank Shaft	1	1412	1101.79	O-Ring	1
**14	0002.63	Crank Shaft (RO-130/C ONLY)	1	1434	1101.D1	O-Ring	1
81	0003.15	Accumulator	1	1490	1203.27	Oil Reservoir	1
136	0006.07	Bearing	1	1497	1203.36	Manifold Elbow	3
157	0007.05	Seal	1	1569	1205.06	Piston	3
238	0102.03	Diaphragm Bolt	3	1709	6006.08	Valve Assembly	6
375	0202.78	Suction Elbow	1	1740	6033.01	Oil Reservoir Assembly	1
489	0206.14	Piston Sleeve	3	1798	6015.24	Piston Rod Assembly	3
**499	0206.26	Piston Sleeve (RO-130/C ONLY)	3	1811	6031.09	Accumulator Assembly	1
540	0208.98	Oil Cap	1	1843	1403.07	Washer	2
557	0208.20	Accumulator Head	1	1844	1403.09	Washer	11
626	0209.34	Crank Case	1	1845	1403.10	Washer	18
647	0257.07	Discharge Manifold	1	1962	1502.01	Connecting Rod Pin	3
701	0214.05	Bearing	1	2046	1506.02	Snap Ring	6
747	0218.01	Air Valve Cap	1	2149	1519.16	Connecting Rod	3
792	0301.12	Washer	1	2185	1601.13	Suction Manifold	2
799	0301.24	Washer	1	2226	1602.22	Suction Manifold	1
801	0301.07	Retainer Washer	3	2282	1603.50	Drain Plug	1
833	0302.52	Rod Spacer	2	2318	1604.36	Head	3
845	0303.01	Nut	6	2466	1804.06	Bolt	3
901	0501.45	Flange	1	2471	1804.29	Bolt	12
1055	0604.50	Barb Nut	1	2482	1804.09	Bolt	6
1122	0608.16	Air Valve Assembly	1	2486	1804.79	Bolt	6
1291	0903.02	Diaphragm (BUNA-N, Optional)	3	2589	1805.31	Bolt	2
*1300	0903.14	Accumulator Diaphragm	1	2581	1805.03	Bolt	9
*1365	1101.01	O-Ring	6	5949	1804.72	Bolt	6
1368	1101.04	O-Ring	1	7124	0253.05	Discharge Elbow	1
1371	1101.07	O-Ring	6	7331	0604.36	Discharge Nut	1
1376	1101.16	O-Ring	1	7652	1219.25	PTO Safety Shield Optional	1
1380	1101.25	O-Ring	7	*8113	0903.34	Diaphragm (DESMOPAN, Standard)	3
1382	1101.29	O-Ring	1	8151	1202.63	Mounting Rail - Right Side	1
1398	1101.42	O-Ring	1	8152	1202.64	Mounting Rail - Left Side	1

* Parts Included in Diaphragm Repair Kit - #8700.04. (Also available in Buna-N - #8700.11.)

** Parts for RO-130/C only

RO-110/C & 130/C



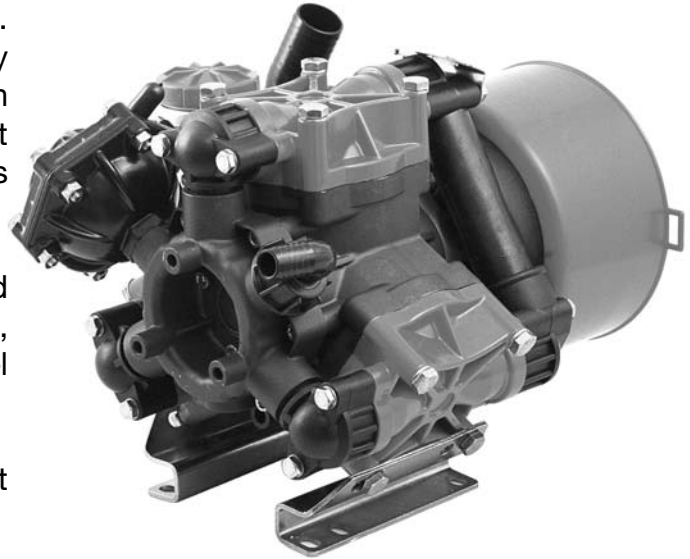
RO-110/C & RO-130/C

Low Pressure Diaphragm Pumps

RO-110/C and RO-130/C low pressure, 3-cylinder diaphragm pumps are excellent for various horticultural and agricultural spraying applications. Simplicity of design and common parts allow easy and affordable maintenance. A built-in pulsation dampener and 1-3/8" male six-spline PTO shaft are standard. PTO safety shield part # 1219.25 is recommended.

The RO-110/C & RO-130/C have an anodized aluminum body, plasticized aluminum heads, glass-filled nylon manifolds and stainless steel liquid handling parts.

For industrial uses and spraying applications not listed, please consult UDOR U.S.A.



SPECIFICATIONS

Maximum Flow	
RO-110/C	29 GPM
RO-130/C	35 GPM
Maximum Pressure	300 PSI
Maximum RPM	540 RPM
Maximum Temperature	140°F
Inlet Port (Hose Barb)	1-1/2"
Outlet Port (Hose Barb)	3/4"
Dimensions	L-14" x W-11.5" x H-12"
Weight	45 lbs.
Diaphragm Material	
Standard	DESMOPAN
Optional	BUNA-N

NOTE - Protect pumps from freezing. If freezing conditions exist, flush pump and system with a 50/50 mixture of antifreeze and water.