



# RO-160HYD

*Low Pressure Hydraulic Driven Diaphragm Pump*

RO-160HYD low pressure diaphragm pumps are excellent for various horticultural, agricultural and industrial spraying applications. Simplicity of design and common parts allow easy and affordable maintenance.

Liquid handling parts are plasticized aluminum, glass-filled nylon and stainless steel. Built-in pulsation dampener is standard on all models.

The RO-160HYD comes standard with a 1" female keyed shaft and a 2 bolt "A" mount flange.

For industrial uses and spraying applications not listed, please consult UDOR U.S.A.



## SPECIFICATIONS

Maximum Flow . . . . .	42 GPM
Maximum Pressure . . . . .	300 PSI
Maximum Pump Speed . . . . .	540 RPM
Maximum Temperature . . . . .	140° F
Ports	
Inlet . . . . .	1-1/2" Hose Barb
Discharge . . . . .	1" Hose Barb
Dimensions . . . . .	L-12" x W-15.5" x H-17"
Weight . . . . .	56 lbs.
Diaphragm Material	
Standard . . . . .	DESMOPAN
Optional . . . . .	BUNA-N

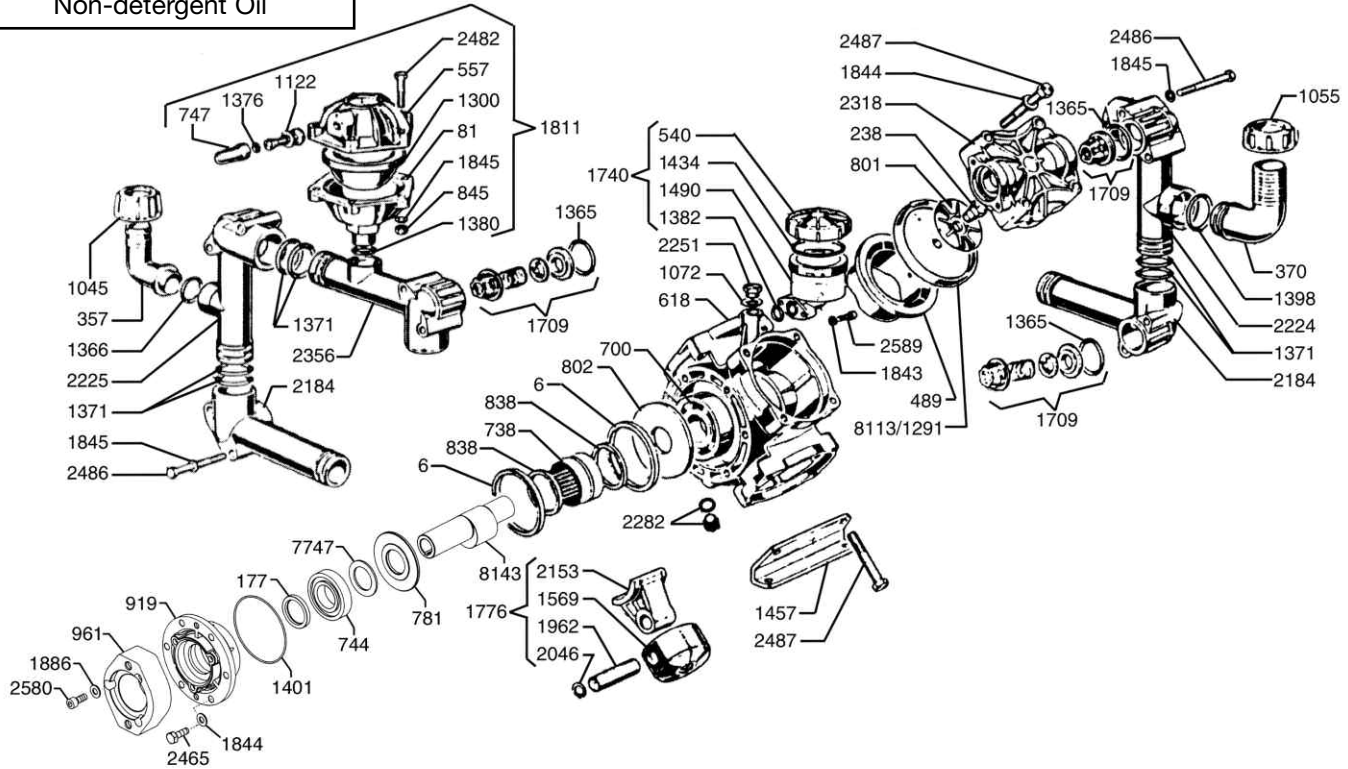
**NOTE** - Protect pumps from freezing. If freezing conditions exist, flush pump and system a 50/50 mixture of anti-freeze and water.

### **UDOR U.S.A., INC.**

500 Apollo Drive  
Lino Lakes, MN 55014  
TEL. (651) 785-0666  
FAX (800) 732-2670  
[www.udorusa.com](http://www.udorusa.com)

# RO-160HYD - Exploded View Diagram & Parts List

RO-160 PUMPS Require 44oz.  
UDOR LUBE, or SAE 30W  
Non-detergent Oil



REF#	PART#	DESCRIPTION	QTY	REF#	PART#	DESCRIPTION	QTY
6	0001.08	Retainer Ring	2	1398	1101.42	O-Ring	1
81	0003.15	Pressure Accumulator	1	1401	1101.58	O-Ring	1
177	0007.41	Shaft Seal	1	1434	1101.01	O-Ring	1
238	0102.03	Diaphragm Bolt	4	1457	1202.29	Base Plate	2
357	0202.18	Discharge Elbow	1	1490	1203.27	Oil Reservoir Assembly	1
370	0202.78	Suction Elbow	1	1569	1205.06	Aluminum Piston	4
489	0206.14	Piston Sleeve	4	1709	6006.08	Valve Assembly	8
540	0208.98	Oil Reservoir Cap	1	1740	6033.01	Oil Reservoir Assembly	1
557	0208.20	Accumulator Head	1	1776	6015.30	Piston & Rod Assembly	4
618	0209.25	Pump Body (RO-160HYD)	1	1811	6031.09	Accumulator Assembly	1
700	0214.04	Ball Bearing	1	1843	1403.07	Washer	2
738	0216.07	Roller Bearing	1	1844	1403.09	Washer	18
744	0214.14	Bearing	1	1845	1403.10	Washer	22
747	0218.01	Air Valve Cap	1	1886	1411.03	Washer	3
781	0301.48	Washer	1	1962	1502.02	Connecting Rod Pin	4
801	0301.07	Retainer Washer	4	2046	1506.02	Snap Ring	8
802	0301.28	Washer	1	2153	1519.20	Connecting Rod	4
838	0302.59	Spacer Ring	2	2184	1601.12	Manifold	5
845	0303.01	Hex Nut	6	2224	1602.20	Suction Manifold	1
919	0501.67	Bearing Flange	1	2225	1602.21	Discharge Manifold	1
961	0501.01	Adapter Flange	1	2251	1603.02	Oil Plug	1
1045	0604.32	Barb Nut	1	2282	1603.50	Drain Plug	1
1055	0604.50	Barb Nut	1	2318	1604.36	Head	4
1072	0605.09	Aluminum Gasket	1	2356	1605.15	Discharge Manifold	1
1122	0608.16	Air Valve Assembly	1	2465	1804.03	Bolt	6
1291	0903.02	Piston Diaphragm, BUNA-N Optional	4	2482	1804.09	Bolt	6
*1300	0903.14	Accumulator Diaphragm	1	2486	1804.79	Bolt	16
*1365	1101.01	O-Ring	8	2487	1804.25	Bolt	16
1366	1101.02	O-Ring	1	2580	1805.01	Bolt	3
1371	1101.07	O-Ring	16	2589	1805.31	Bolt	2
1376	1101.16	O-Ring	1	7747	1534.09	Spacer	1
1380	1101.25	O-Ring	1	*8113	0903.34	Piston Diaphragm, DESMOPAN Standard	4
1382	1101.29	O-Ring	1	8143	0002.A9	Crankshaft	1

\* Parts Included in Diaphragm Repair Kit - #8700.09. (Also available in BUNA-N - #8700.16.)