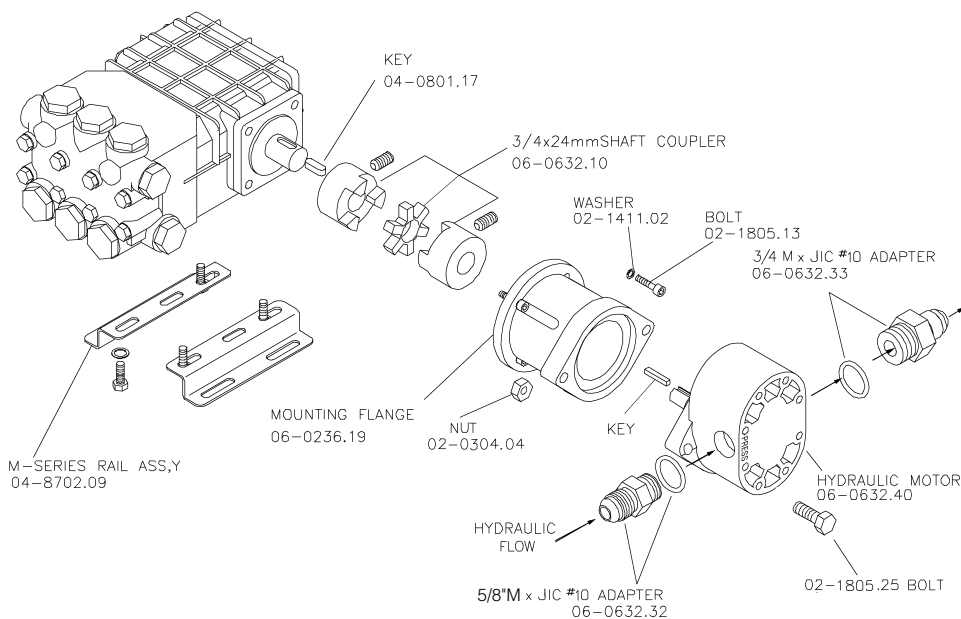


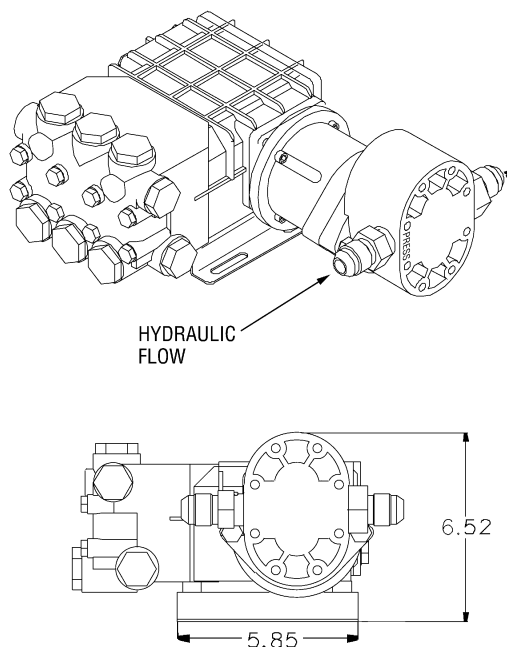
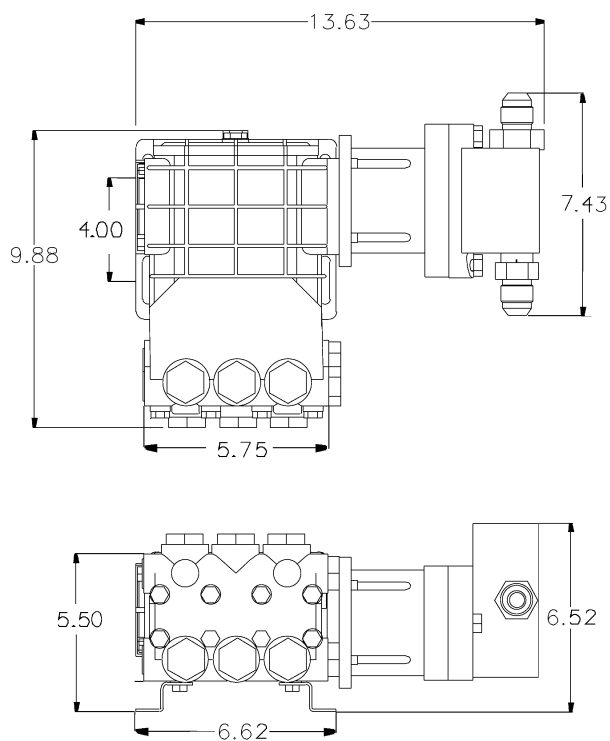


# M-SERIES HYDRAULIC DRIVE PLUNGER PUMPS

**MD 4.0/30-SH**  
**MD 5.0/25-SH**



**MD 4.0/30-SH**  
**MD 5.0/25-SH**



**DRIVE COMPONENTS**

Revised 10-1-2005