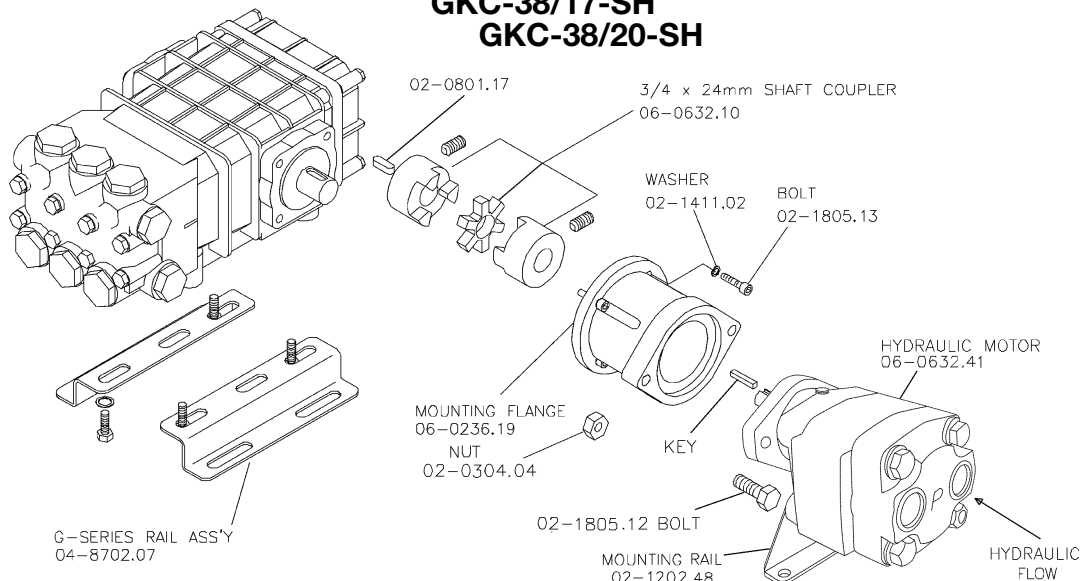


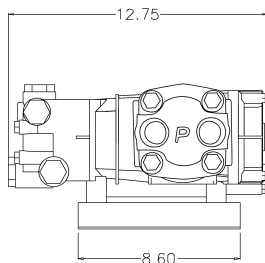
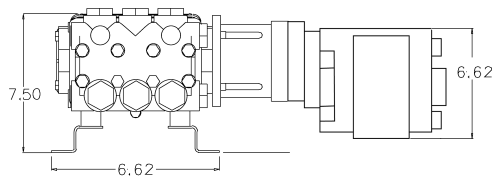
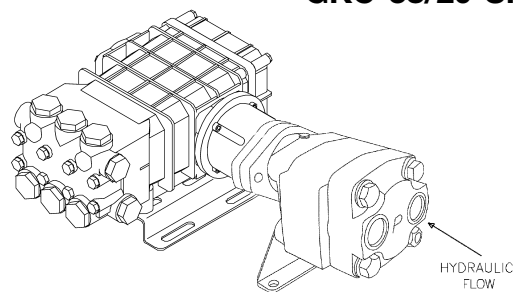
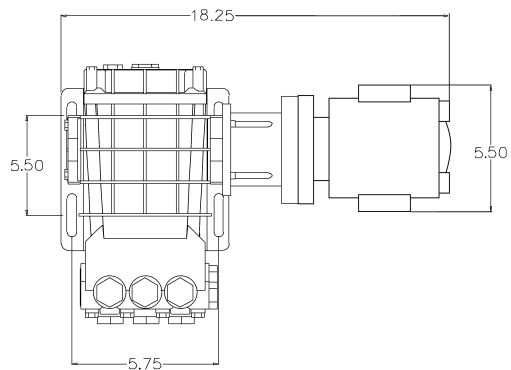


GKC-SERIES HYDRAULIC DRIVE PLUNGER PUMPS

**GKC 21/35-SH
GKC-26/24-SH
GKC-38/17-SH
GKC-38/20-SH**



**GKC 21/35-SH
GKC-26/24-SH
GKC-38/17-SH
GKC-38/20-SH**



DRIVE COMPONENTS

Revised 10-1-2005