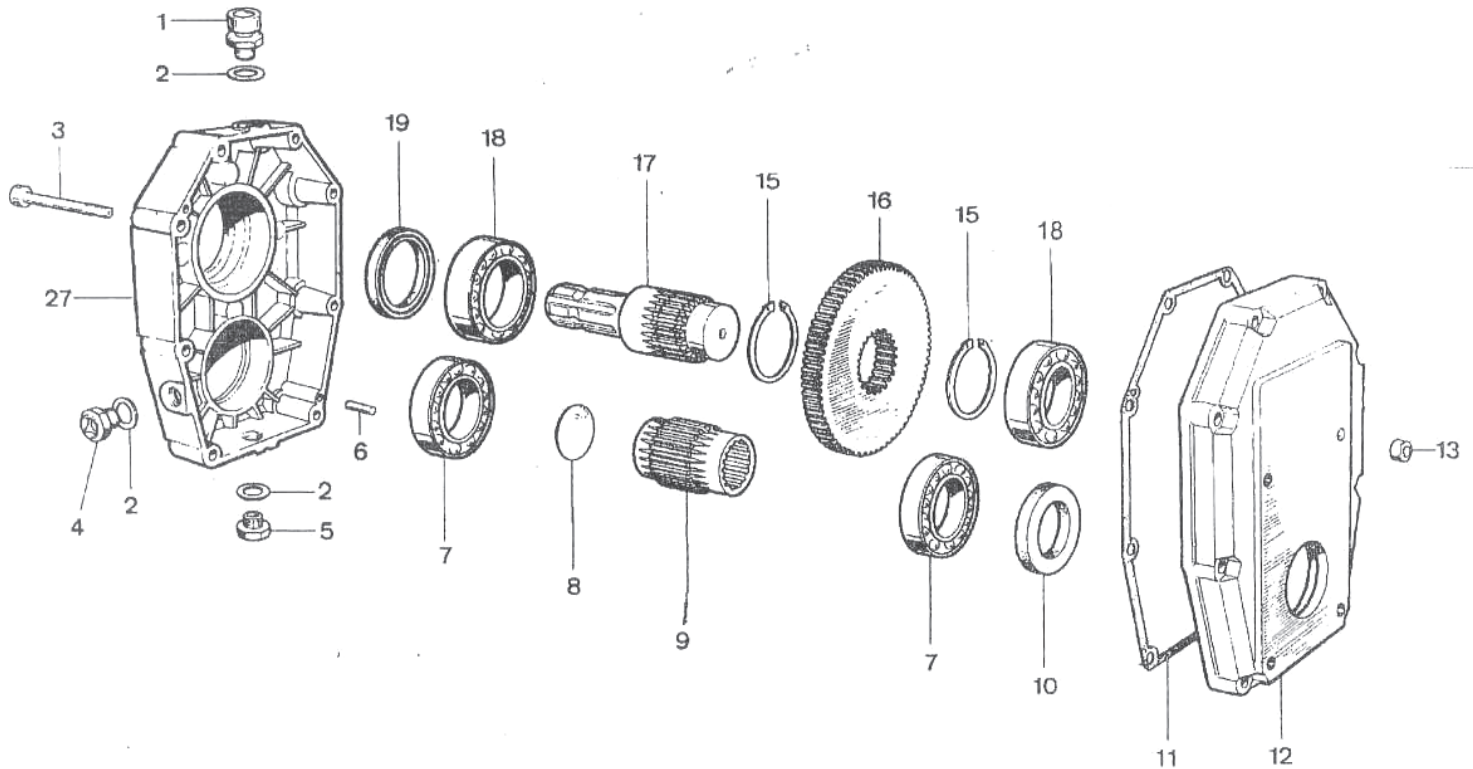


GAS ENGINE GEAR MULTIPLIER
to Mount 1450 RPM C & CK-Series Pumps
to 540 RPM PTO Drive Applications



Part #	Description	Qty	Part #	Description	Qty
1	OIL BREATHER PLUG 3/8"	1	15	SNAP RING DIA. 50	3
2	JOINT GASKET	2	16	RING GEAR	1
3	SOCKET CAP SCREW M8X70	8	17	MALE PTO SHAFT 1-3/8"	1
4	OIL LEVEL PLUG 3/8"	1	18	BEARING TYPE 6010	2
5	OIL DRAIN PLUG 3/8"	1	19	SEALING RING Ø 50X65X8	1
6	PEG	2	20 N/S	FEMALE PTO SHAFT 1-3/8" SHORT	1
7	BEARING TYPE 6009	2	21 N/S	CAP DIN 470 Ø 40	3
8	CAP DIN 470 Ø 37	1	22 N/S	FEMALE PTO SHAFT 1-3/8" LONG	1
9	PINION GEAR	1	23 N/S	SPRING	1
10	SEALING RING Ø 45X65X8	1	24 N/S	RING	1
11	JOINT GASKET	1	25 N/S	BALL	3
12	COVER	1	26 N/S	FEMALE PTO SHATT QUICK FITTING	1
13	NUT M8	8	27	HOUSING	1
14 N/S	RING	1			