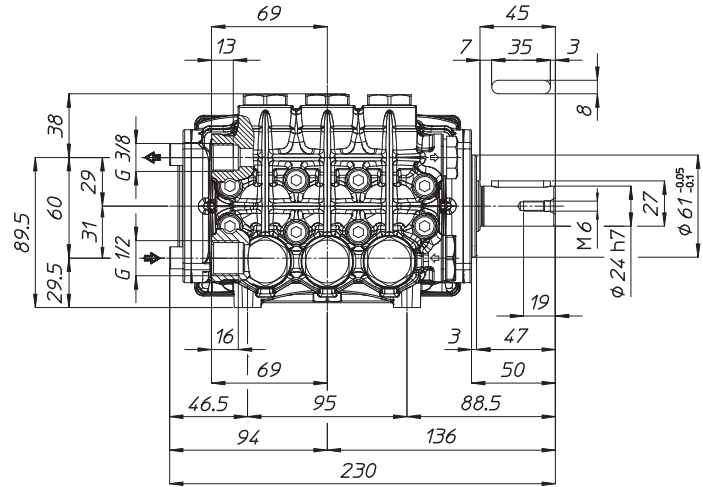
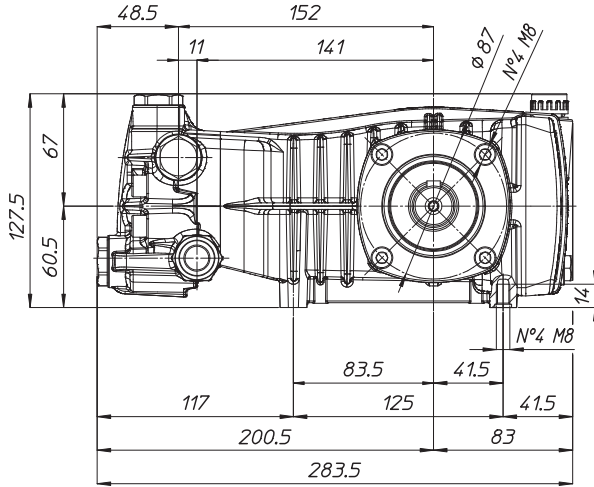


WEIGHT - SOLID SHAFT
 WEIGHT - GAS ENGINE FLANGE
 LUBRICATION

23 LBS
 26 LBS
 16 OZ UDOR LUBE

*Dimensional Drawings are
 Shown in Millimeters.
 To Convert to Inches,
 Multiply Dimension x 0.03937*

BK SERIES PUMPS - 24MM SOLID SHAFT



BK SERIES PUMPS - 1" HOLLOW SHAFT w/ GAS ENGINE FLANGE

